



PARTS LIST



TP2580

Cobra™ 65 CNC Lathes

Equipped with the
GE Fanuc 21 Series Control

Revised: October 4, 1999

Manual No. PL-80A
Part No. PLA-0009500-0080

Litho in U.S.A.
January, 1999

TO ORDER REPLACEMENT PARTS

Please provide the following information when ordering replacement parts:

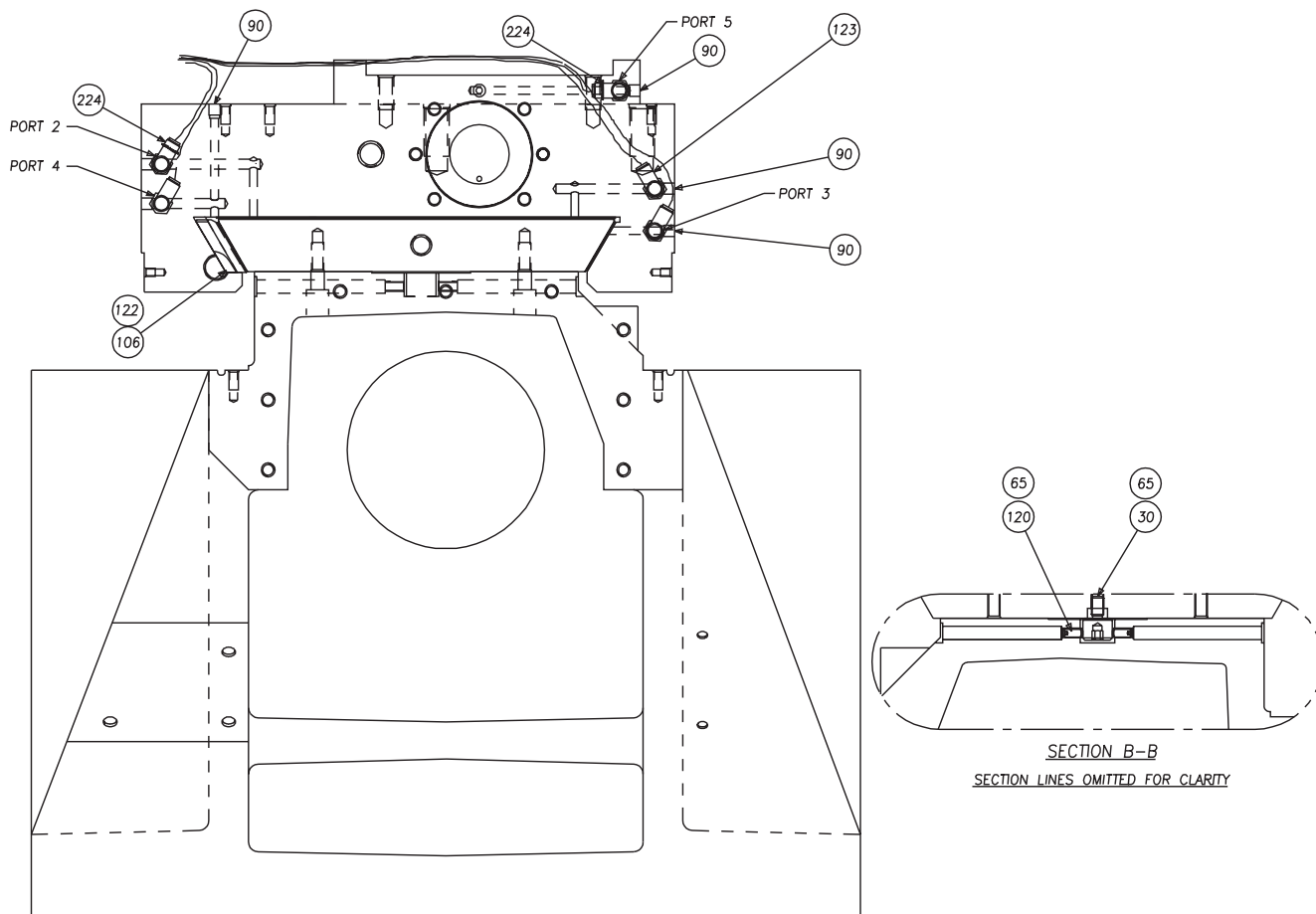
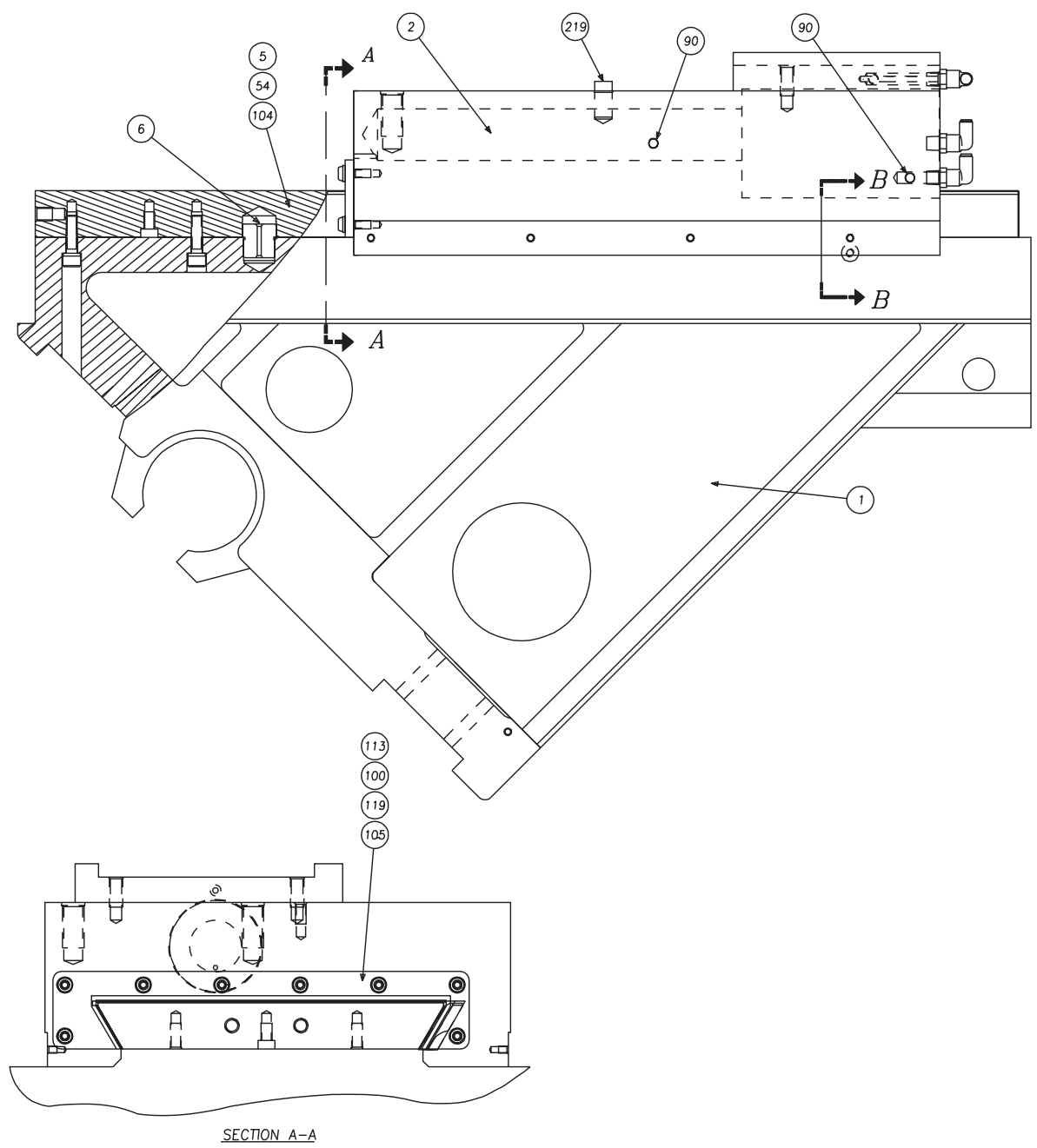
1. The complete machine serial number. The serial number tag is located on the power case door, near the main disconnect switch.
2. List the following:
 - a. Manual Number (PL-80A).
 - b. Page Number.
 - c. Item Number.
 - d. Part Description.
 - e. Part Number.
 - f. Quantity of each part required.
3. Specify how and where to ship.

Hardinge Inc.
One Hardinge Drive
P.O. Box 1507
Elmira, New York USA 14902-1507
Phone: (607) 734-2281 FAX: (607) 734-8819
www.hardinge.com

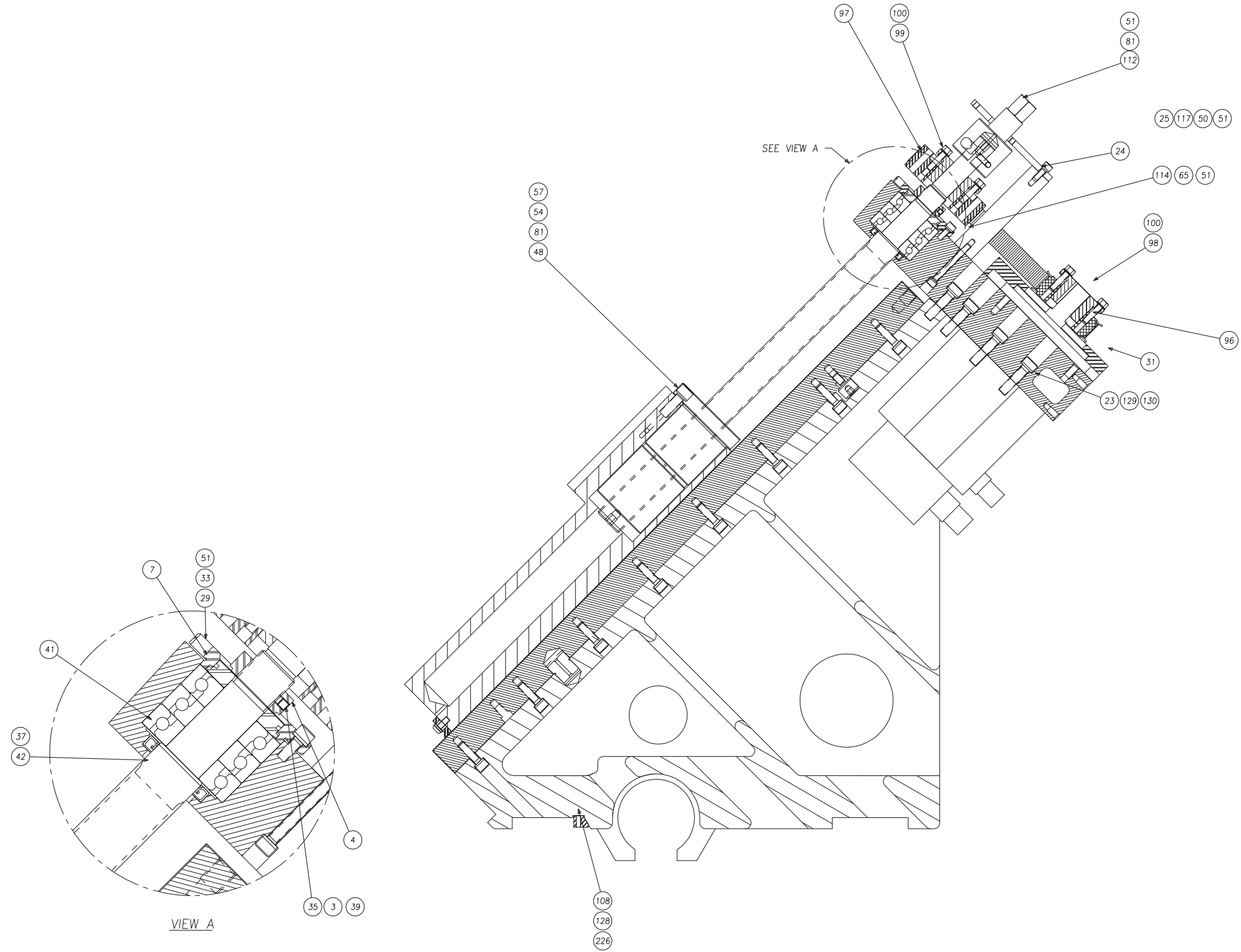
- Contents -

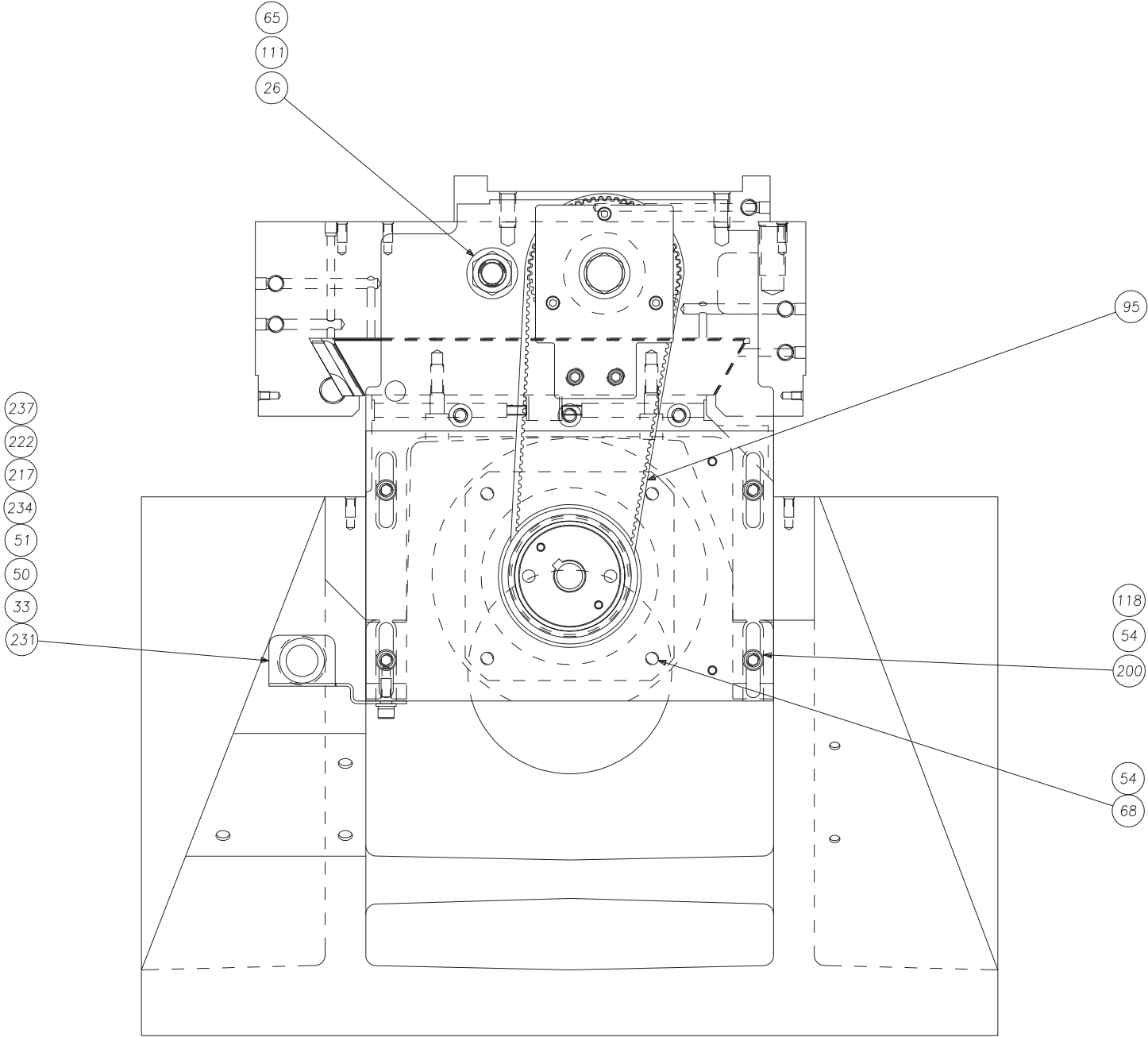
Carriage and Cross Slide Assembly	1 - 5
Carriage Drive Assembly	6
Collet Closer Assembly	7 - 8
Coolant Guard Assembly	9 - 11
Coolant System, High Pressure	12 - 14
Coolant Tank Assembly	
Chip Conveyor	15
Standard	16
Headstock Assembly.	17 - 18
Hydraulic Unit	
CE Mark	19 - 21
Non-CE Mark	22 - 24
Hydraulic Unit Steady Rest Option.	73 - 75
Hydraulic Unit Tailstock Option	76 - 77
Part Catcher Assembly.	25 - 26
Pedestal Assembly.	27 - 41
Power Case Assembly	
GE Fanuc 21-T Control	
CE Mark	42 - 44
Non-CE Mark	45 - 47
GE Fanuc 21i-T Control	
CE Mark	48 - 50
Non-CE Mark	51 - 53
Power Case Upper Panel Assembly	
GE Fanuc 21-T Control	
CE Mark	54
Non-CE Mark	55
GE Fanuc 21i-T Control	
CE Mark	56
Non-CE Mark	57
Steady Rest Assembly	58 - 60

Tailstock Assembly.	61 - 64
Tailstock Assembly, Machine without	65
Tailstock Foot Switch Assembly	66
Tailstock Subassembly	67
Turret Assembly	68 - 69
Turret Drive Assembly	70
Turret Top Plate Assembly	
Hardinge	71
VDI	72

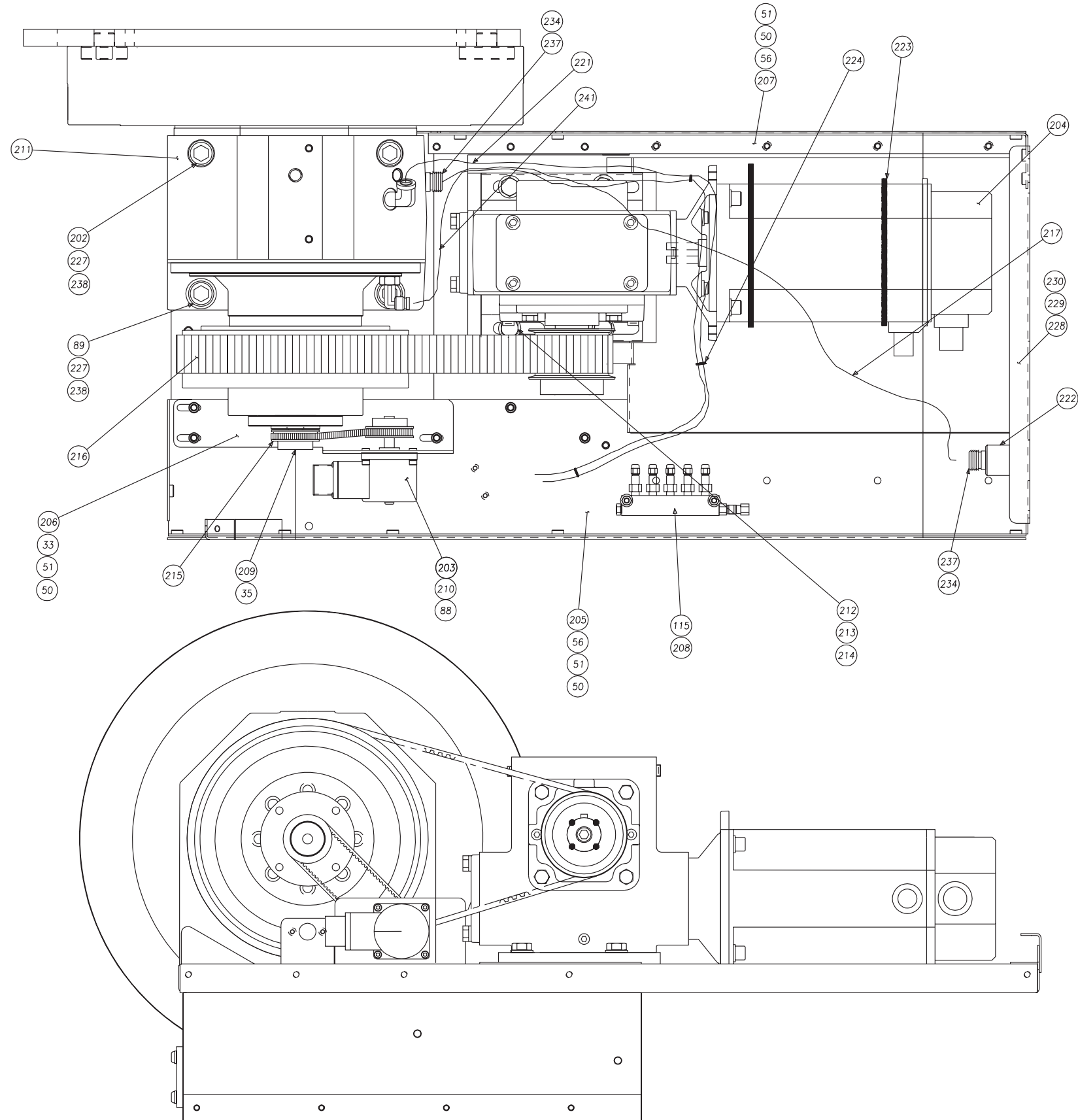


Carriage and Cross Slide Assembly





Carriage and Cross Slide Assembly

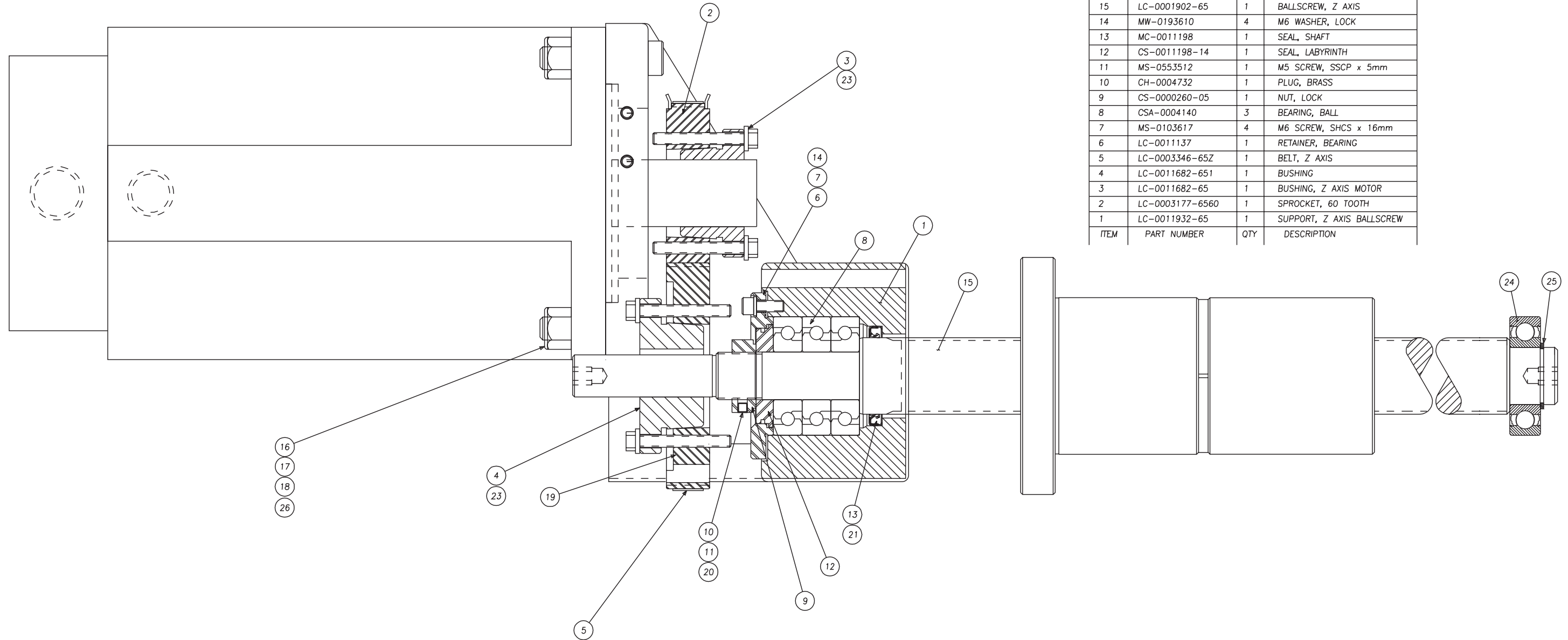


239 240

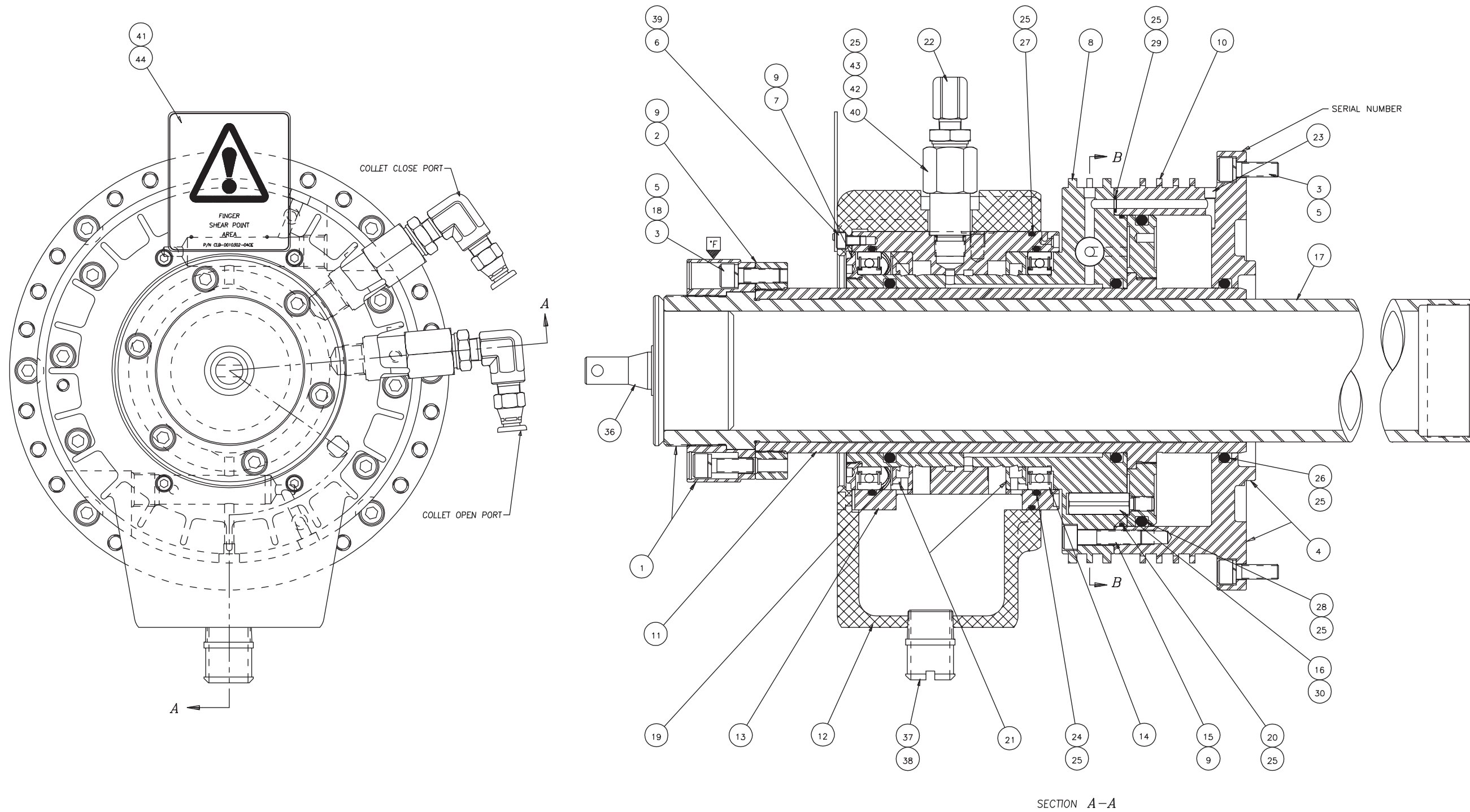
241	AH-0007007NF	3	TUBING, 1/4 OD
240	LO-0003178	1	LAYOUT, X AXIS DRIVE
239	LO-0003231	1	CARR. & CROSS SLIDE PICT.
238	SG-0002840	4	WASHER
237	KH-0008384	2	ADAPTER, NPT x BARB
234	CC-0006966	2	CLAMP, HOSE
231	LCA-0001990-34	1	BRACKET, COOLANT SUPPORT
230	MW-0263610	3	M6 WASHER, STAR
229	MS-0303615	3	M6 SCREW, BHSS x 10mm
228	LC-0001990-2965	1	STIFFENER, TURRET
227	MW-0194610	4	WASHER, LOCK
226	MW-0193510	6	M5 WASHER, LOCK
224	CK-0008104	5	TY-WRAP
223	AH-0009910	2	TY-WRAP
222	SB-0010884-S	.02	SEALANT, HYDRAULIC
221	HG-0007007-02	3	TUBING, 1/4 OD
219	CL-0006709	1	DOWEL, 1/2 x 1
217	LC-0007007-02	6.5	TUBING, 3/4 I.D.
216	LC-0003346-65T	1	BELT, TURRET
215	LC-0003346-TE	1	BELT, TURRET ENCODER
214	MW-0104010-H	4	M10 WASHER, FLAT, HARDENE
213	MW-0184010	4	M10 WASHER, LOCK
212	MS-0154020	4	M10 SCREW, HHCS x 30mm
211	LC-0000008-65	1	TURRET ASSEMBLY
210	MS-0103416	4	M4 SCREW, SHCS X 12 mm
209	LC-0003177-TE	2	PULLEY, TURRET ENCODER
208	MN-0283510	2	M5 NUT, FLANGE
207	LC-0001990-658	1	SHIELD SUPPORT, LEFT
206	LC-0001990-0365	1	ENCODER BRACKET
205	LC-0001990-659	1	SHIELD SUPPORT, RIGHT
204	LC-0007500-65T	1	TURRET DRIVE ASSEMBLY
203	LC-0011797-01	1	ENCODER
202	MS-0104642	2	M16 SCREW, SHCS x 220mm
ITEM	PART NUMBER	QTY	DESCRIPTION

200	MS-0103822	4	M8 SCREW, SHCS x 40mm
130	MW-0184010	9	M10 WASHER, LOCK
129	MS-0104022	9	M10 SCREW, SHCS x 40mm
128	MS-0103526	6	M5 SCREW, SHCS x 60mm
123	SG-0007702-A12	5	ELBOW, MALE SWIV x 1/8BSP
122	HM-0006160	2	SCREW, GIB
120	MS-0553616	2	M6 SCREW, SSCP x 12mm
119	MS-0303617	7	M6 SCREW, BHSS x 16mm
118	5-0001895	4	WASHER
117	MS-0103617	2	M6 SCREW, SHCS x 16mm
115	LC-0010234-65CS	1	DIST ASSY, CROSS SLIDE
114	MS-0103625	2	M6 SCREW, SHCS x 55mm
113	5P-0006431-B	7	WASHER
112	LC-0012128	1	COUPLING, X-AXIS BRAKE
111	MN-0154610	1	M16 NUT, HEX THIN (JAM)
108	LC-0006481	2	GIB, LINEAR GUIDE TAKE UP
106	LCA-0007633-A	1	GIB
105	LC-0008050-65	1	WIPER, BEDPLATE
104	LC-0008042-65	1	BEDPLATE, X AXIS
100	MW-0183610	11	M6 WASHER, LOCK
99	SGA-0011682	1	BUSHING
98	LCB-0011682	1	BUSHING
97	LC-0003177-60	1	SPROCKET, 60 TOOTH
96	LC-0003177-48	1	SPROCKET, 48 TOOTH
95	LC-0003346-X	1	BELT, X AXIS
90	S-0010700-07	6	LEE PLUG
89	MS-0104625	2	M16 SCREW, SHCS x 55mm
88	MW-0193410	4	M4 WASHER, LOCK
81	MS-0103618	7	M6 SCREW, SHCS x 20mm
68	MS-0103820	4	M8 SCREW, SHCS x 30mm
65	NC-0010884	3.01	LOCTITE ADHESIVE
57	CS-0009431-04	1	"O" RING
56	MS-0103616	5	M6 SCREW, SHCS x 12mm
54	MW-0193810	30	M8 WASHER, LOCK
51	MW-0193610	23	M6 WASHER, LOCK
50	MW-0103610	12	M6 WASHER, FLAT
48	LC-0001902-6501	1	BALL SCREW, X AXIS
42	LC-0011198-65	1	SEAL, X-AXIS BALL SCREW
41	CSA-0004140	3	BEARING, BALL
39	MS-0553512	1	M5 SCREW, SSCS x 5mm
37	C-0010994-AN	.01	GREASE ANDOX C
35	NC-0010884-01	.02	LOCTITE ADHESIVE
33	MS-0103617	13	M6 SCREW, SHCS x 16mm
31	LC-0001991	1	PLATE, X AXIS MOTOR
30	LC-0011083	1	PIN, TRAM ADJUSTMENT
29	LC-0011137-65	1	BEARING, RETAINER
26	LC-0007934-65	1	SCREW, SOLID STOP
25	LC-0001990-15	1	BRACKET, BRAKE
24	LC-0010462-BS	1	BRAKE, SUPPORT
23	LC-0011932-X65	1	SUPPORT, X AXIS BALL SCRE
7	CS-0011198-14	1	SEAL, LABYRINTH
6	CS-0004630-01	1	DOWL, PIVOT
5	MS-0103819	16	M8 SCREW, SHCS x 25mm
4	CS-0000260-05	1	LOCKNUT
3	CH-0004732	1	PLUG, BRASS
2	LC-0007202-65	1	CROSS SLIDE
1	LC-0000371-65	1	CARRIAGE
ITEM	PART NUMBER	QTY	DESCRIPTION

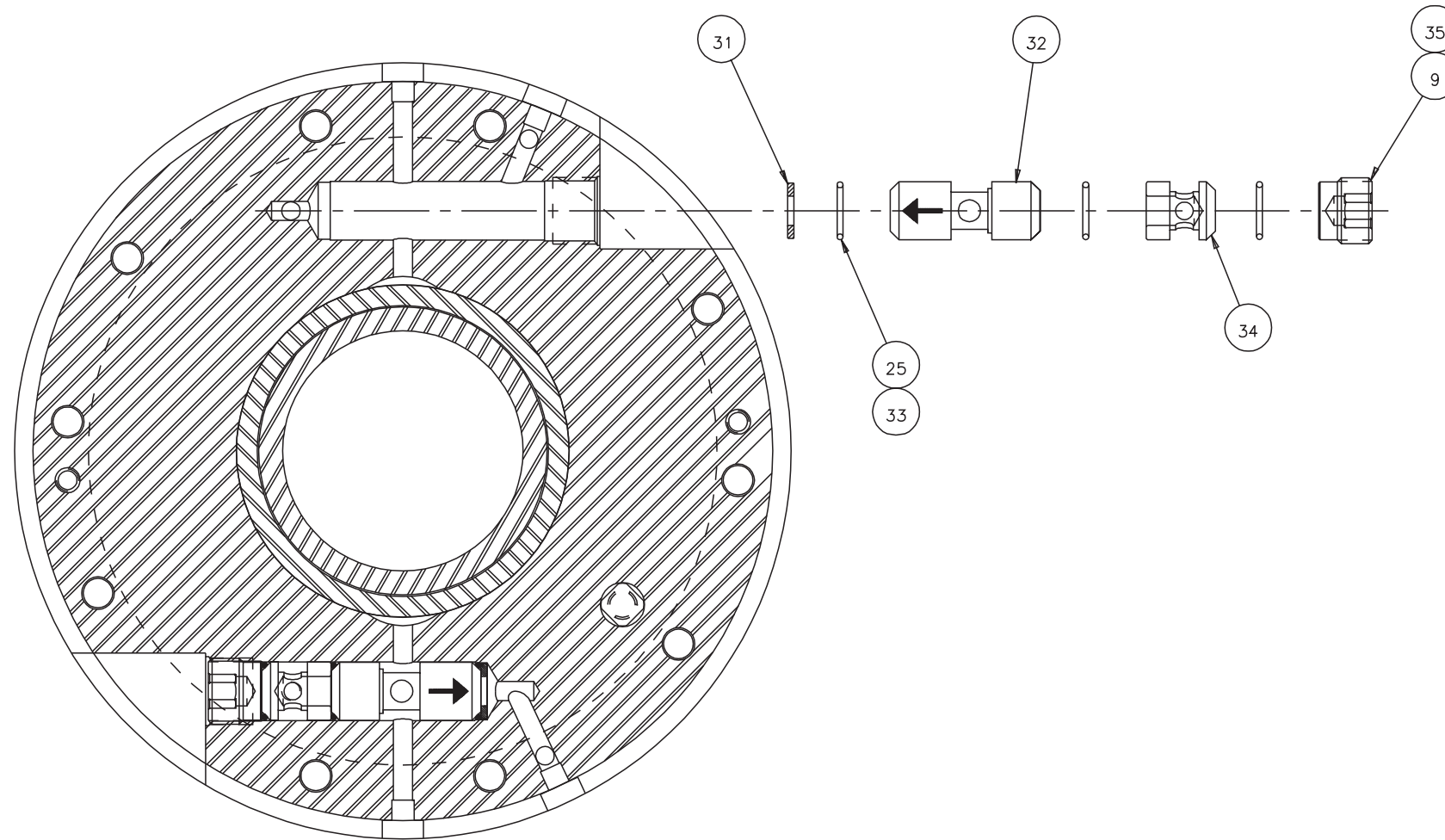
Carriage Drive Assembly



ITEM	PART NUMBER	QTY	DESCRIPTION
26	CL 000284001	4	WASHER, FLAT 7/16 (H)
25	118000823104	1	SNAP RING
24	LC 000823365	1	BEARING, RADIAL
23	CM-0002845	6	LOCKWASHER
21	C-0010994-AN	1	GREASE, ANDOX C
20	NC-0010884-01	1	LOCTITE #222
19	LC-0003177-6575	1	SPROCKET, 75 TOOTH
18	CL 0000260	4	NUT, LOCKING
17	MW-0194210	4	M12 WASHER, LOCK
16	MS-0104224	4	M12 SCREW, SHCS x 50mm
15	LC-0001902-65	1	BALLSCREW, Z AXIS
14	MW-0193610	4	M6 WASHER, LOCK
13	MC-0011198	1	SEAL, SHAFT
12	CS-0011198-14	1	SEAL, LABYRINTH
11	MS-0553512	1	M5 SCREW, SSCP x 5mm
10	CH-0004732	1	PLUG, BRASS
9	CS-0000260-05	1	NUT, LOCK
8	CSA-0004140	3	BEARING, BALL
7	MS-0103617	4	M6 SCREW, SHCS x 16mm
6	LC-0011137	1	RETAINER, BEARING
5	LC-0003346-65Z	1	BELT, Z AXIS
4	LC-0011682-651	1	BUSHING
3	LC-0011682-65	1	BUSHING, Z AXIS MOTOR
2	LC-0003177-6560	1	SPROCKET, 60 TOOTH
1	LC-0011932-65	1	SUPPORT, Z AXIS BALLSCREW



Collet Closer Assembly



SECTION B-B

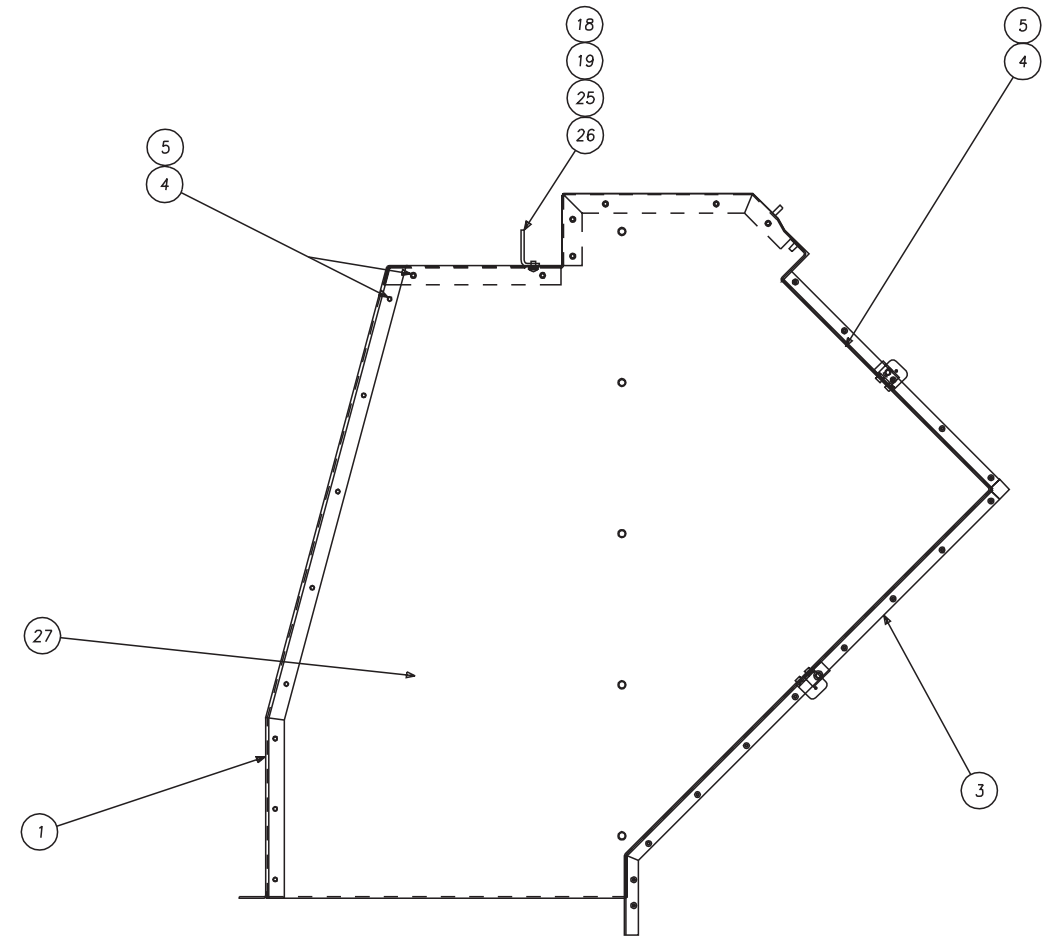
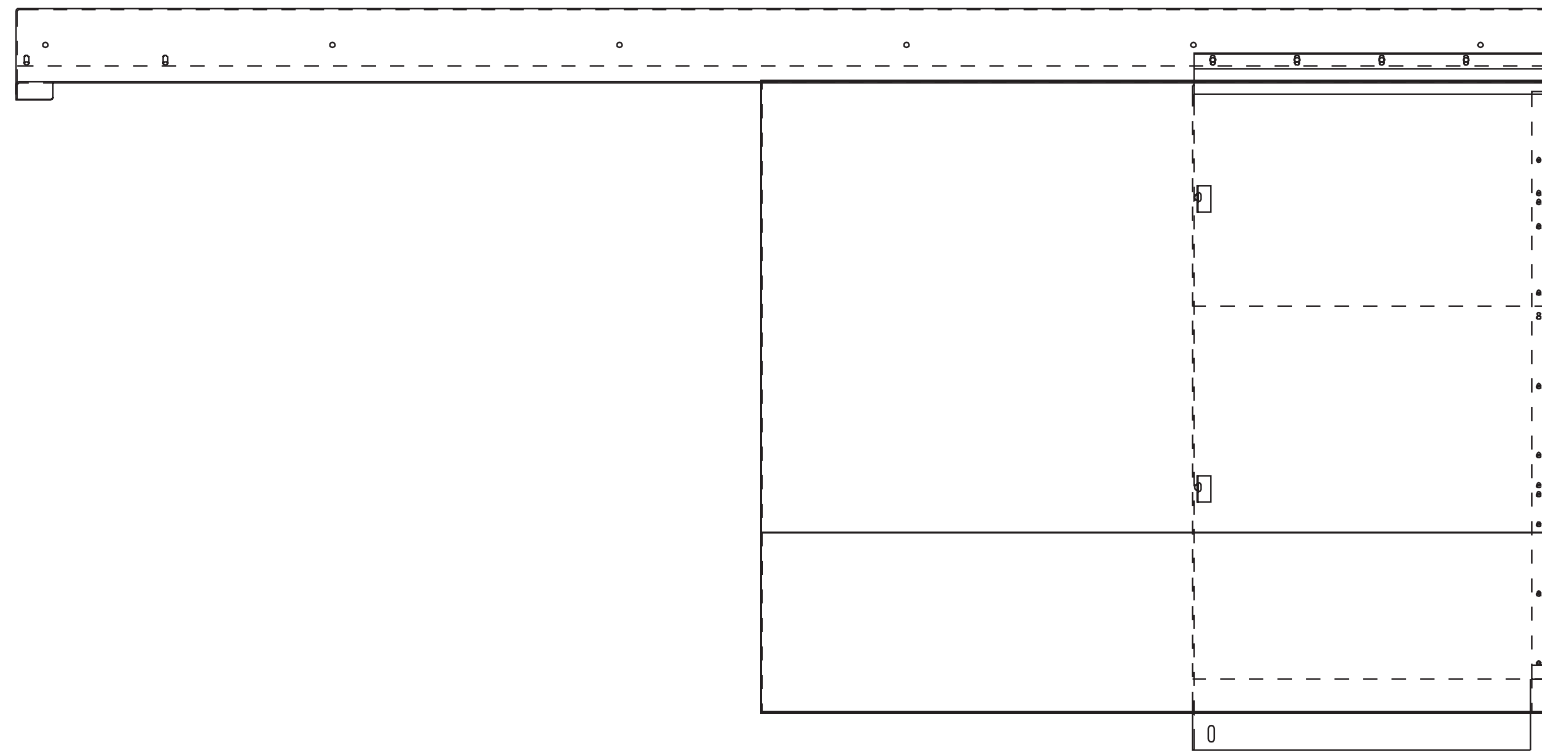
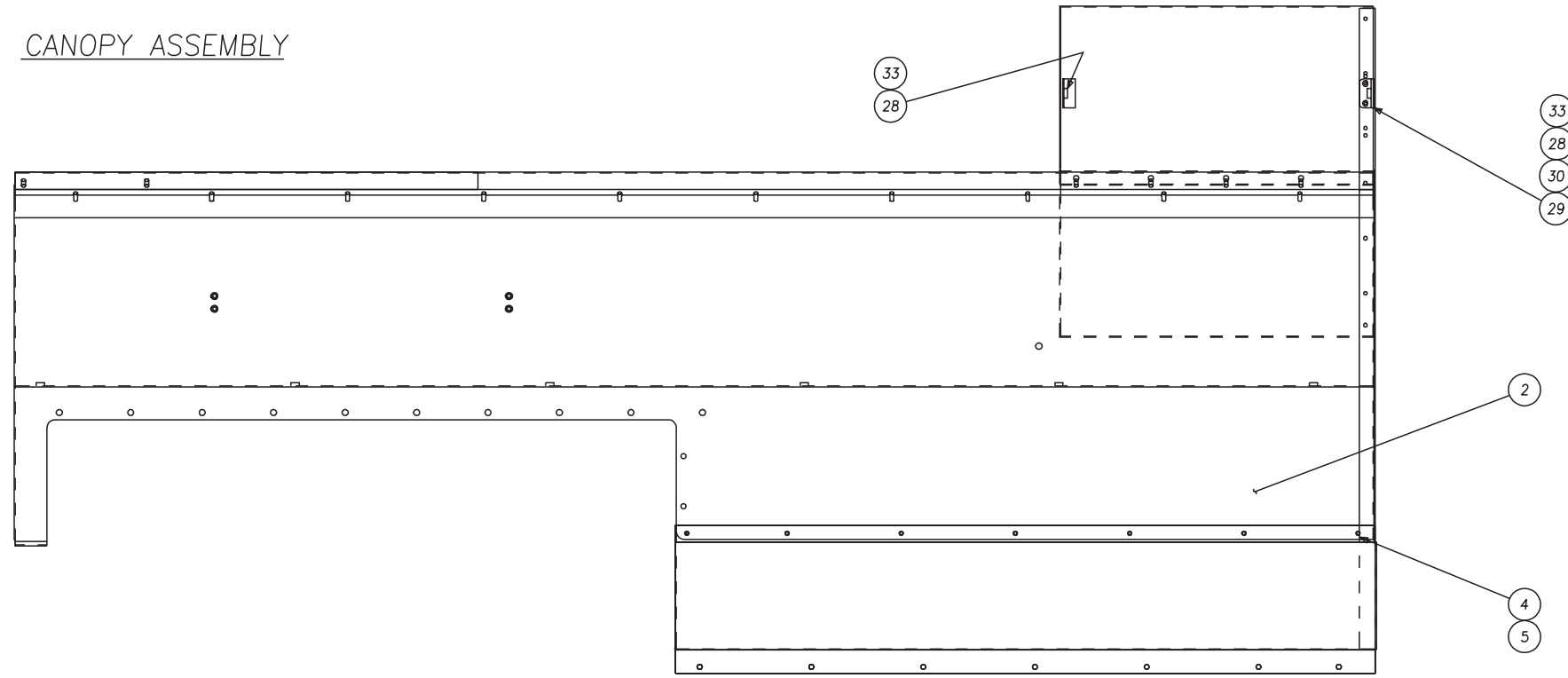
ASSEMBLY INSTRUCTIONS NOT SHOWN

45

46

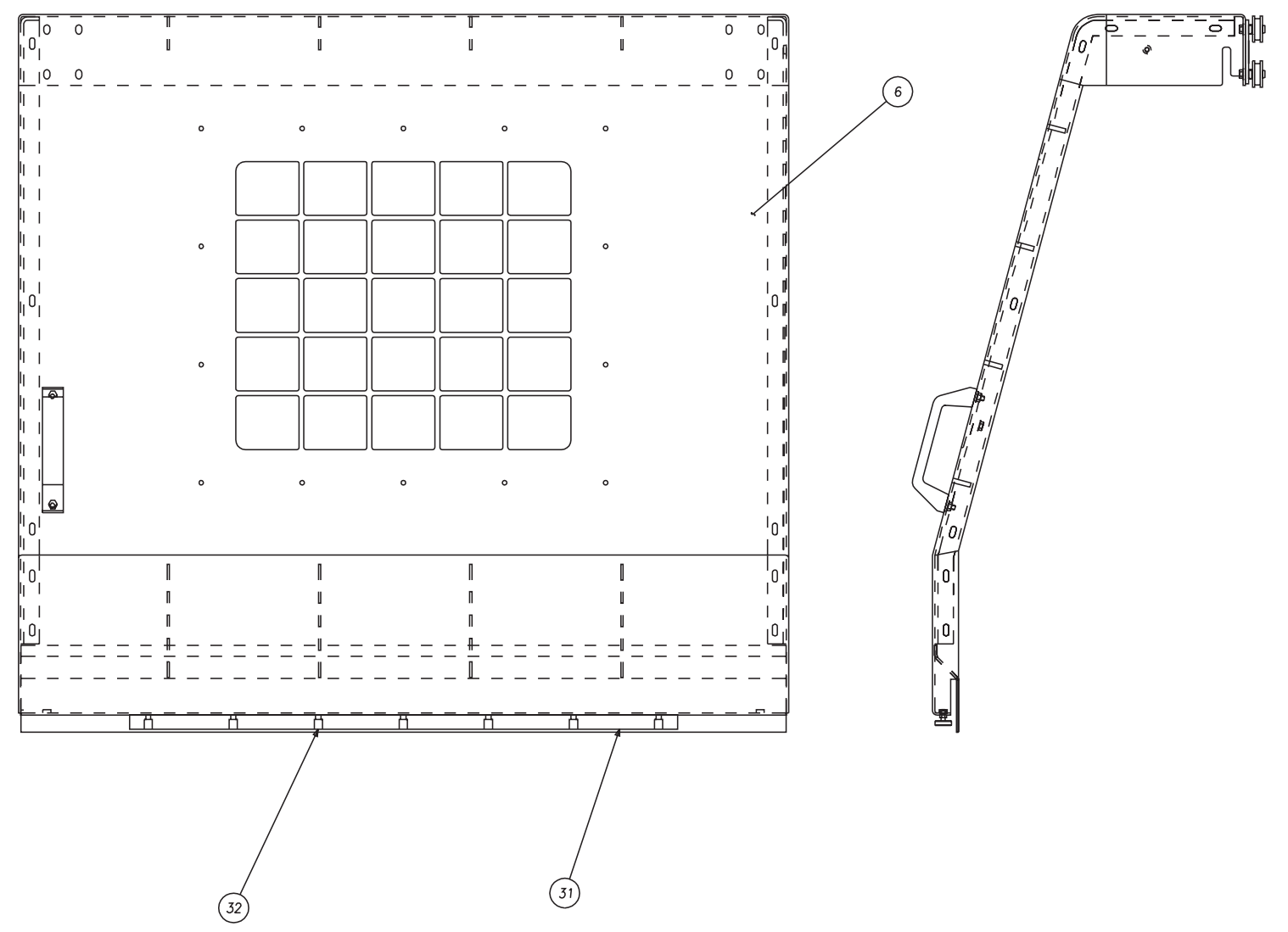
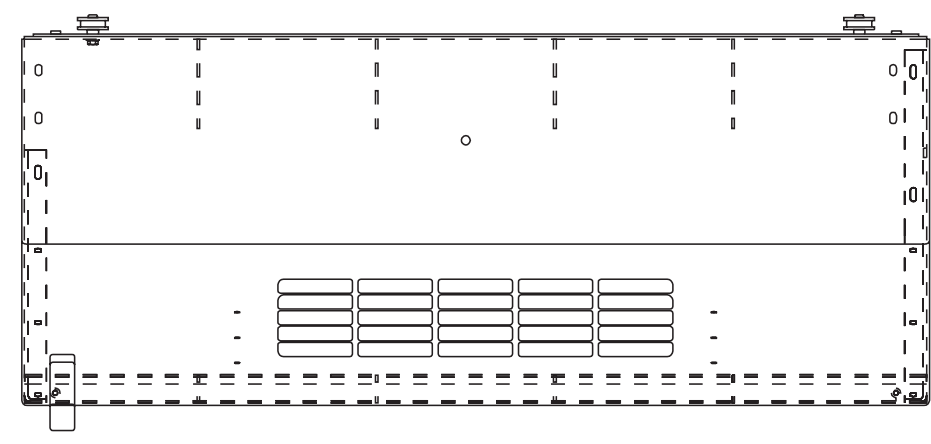
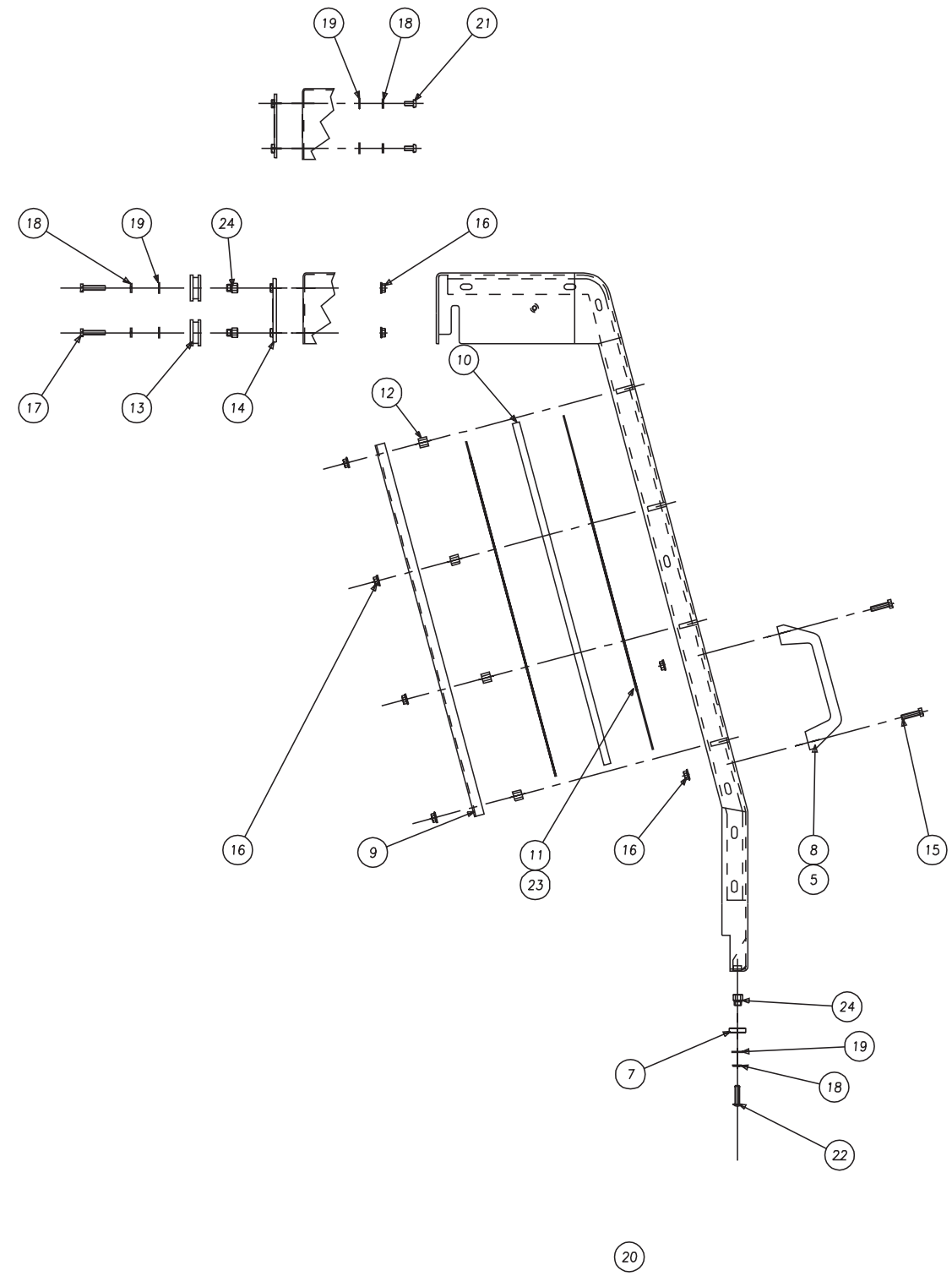
ITEM	PART NUMBER	QUANTITY	DESCRIPTION
1	LC 000048065	1.000	DRAWTUBE CLOSER LC65
2	CL 000693701	1.000	NUT, ABUTMENT
3	MS 0103819	14.000	SCREW, SOC.HD.CAP M8X1.25X25
4	VS 0010440	0.030	LUBRICANT (ANTI-SIEZE)30Z.TU
5	MW 0193810	14.000	WASHER, LOCK DIN-7980 M8X1.2
6	MS 0103514	4.000	SCREW, SOC.HD.CAP M5X.8X8MM
7	CL 0006937	1.000	NUT, ADJUSTING
8	CL 001076802	1.000	CAP, PISTON
9	NC 0010884	0.180	ADHESIVE, LOCTITE #242
10	CLA000040702	1.000	HOUSING, RING
11	CLA0009259 B	1.000	PISTON SLEEVE ASSY BIG BORE
12	CL 000419702	1.000	HOUSING, DRAIN
13	CL 000419703	1.000	BODY, HYDRAULIC INLET
14	TT 0008233	2.000	BEARING, COLLET CLOSER
15	MS 0103821	10.000	SCREW, SOC.HD.CAP M8X1.25X35
16	CLA001114301	1.000	PIN
17	CS 0010994	0.050	GREASE
18	56 000823101	6.000	RING, RETAINING
19	CL 0009811	1.000	SPRING, WAVE
20	CL 000943106	1.000	O-RING 165MM X 2MM C.S.
21	CL 000785202	0.010	RING, SEALING
22	CS 001125911	2.000	FITTING, 90 DEGREE ADAPTER
23	CL 0007703	6.000	PLUG, LEE
24	CL 000943107	2.000	O-RING 128MM X 4MM C.S.
25	RF 0010994	0.130	M55 GREASE
26	CL 000943109	3.000	O-RING 89.2MM X 5.7MM C.S.
27	CS 000943129	1.000	O-RING
28	CL 000943108	1.000	O-RING 157MM X 6MM C.S.
29	CL 000943102	2.000	O-RING
30	CN 0010884	0.010	ADHESIVE
31	CL 000323001	2.000	WASHER
32	CLC000304801	2.000	VALVE, CARTRIDGE LOCK
33	CL 001119804	6.000	SEAL, CARTRIDGE (EXTERNAL)
34	CL 001048101	2.000	SPACER
35	CL 0004646	2.000	PLUG, RETAINING
36	CL 001197302	1.000	PLUG, TURNITTE EXPANSION
37	CS 000350402	1.000	CONNECTOR
38	SB 0010884 S	0.010	SEALANT - HYDRAULIC
39	NC 001088401	0.100	ADHESIVE LOCTITE #222
40	CS 001125913	2.000	CONNECTOR, HYD. METRIC
41	CLB001030204CE	1.000	TAG, FINGER SHEAR, CE ENG.
42	11 0009431	2.000	O-RING
43	CS 001042102	2.000	RING FOR ADAPTER
44	R 0008044	2.000	PIN ESCUTCHEON
45	LO 0002575	1.000	COLLET CLOSER ASSEMBLY INSTRUCTIONS
46	H 00095001415	1.000	TAG, HYD. PLUG WARNING

CANOPY ASSEMBLY



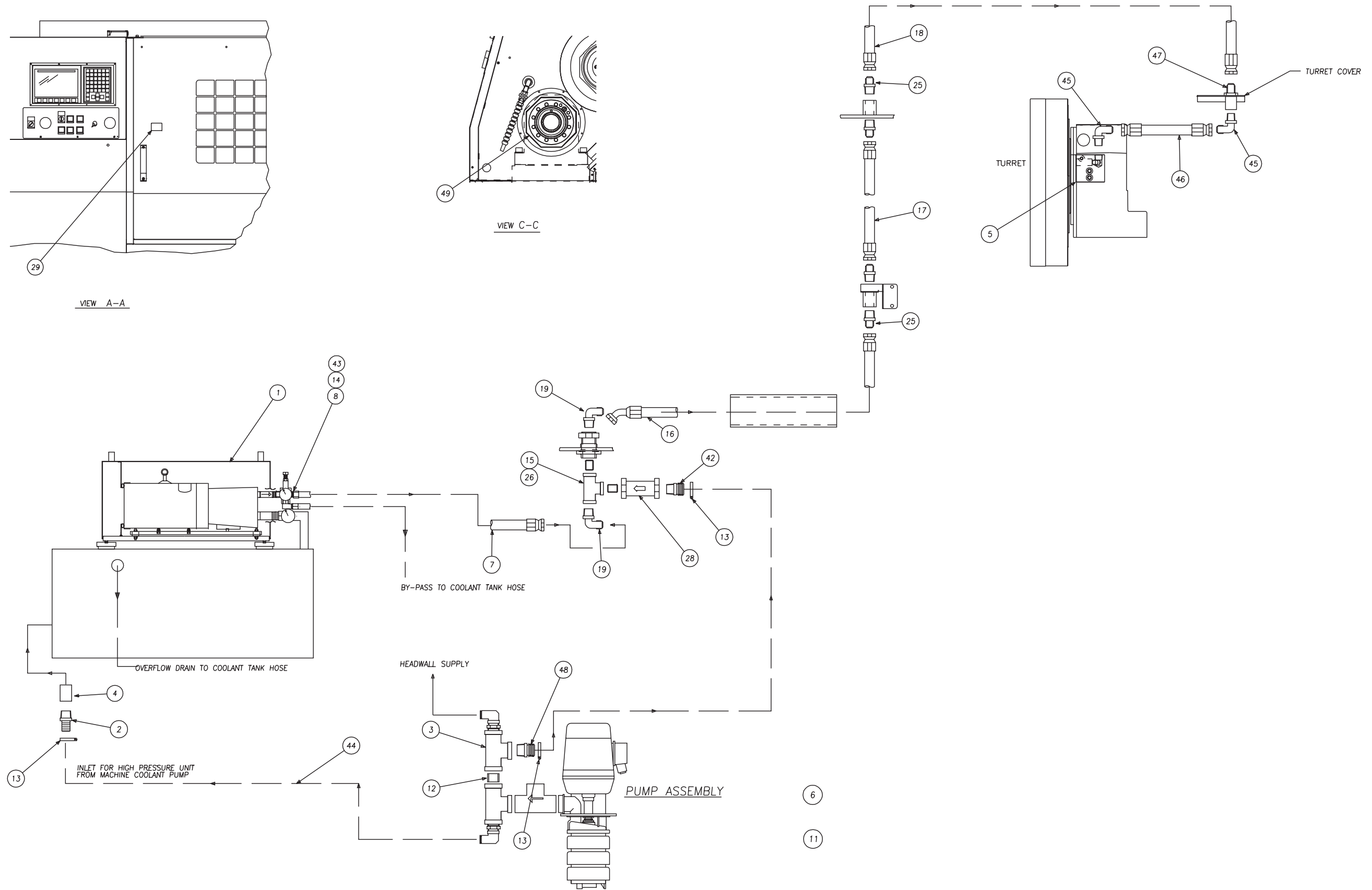
Coolant Guard Assembly

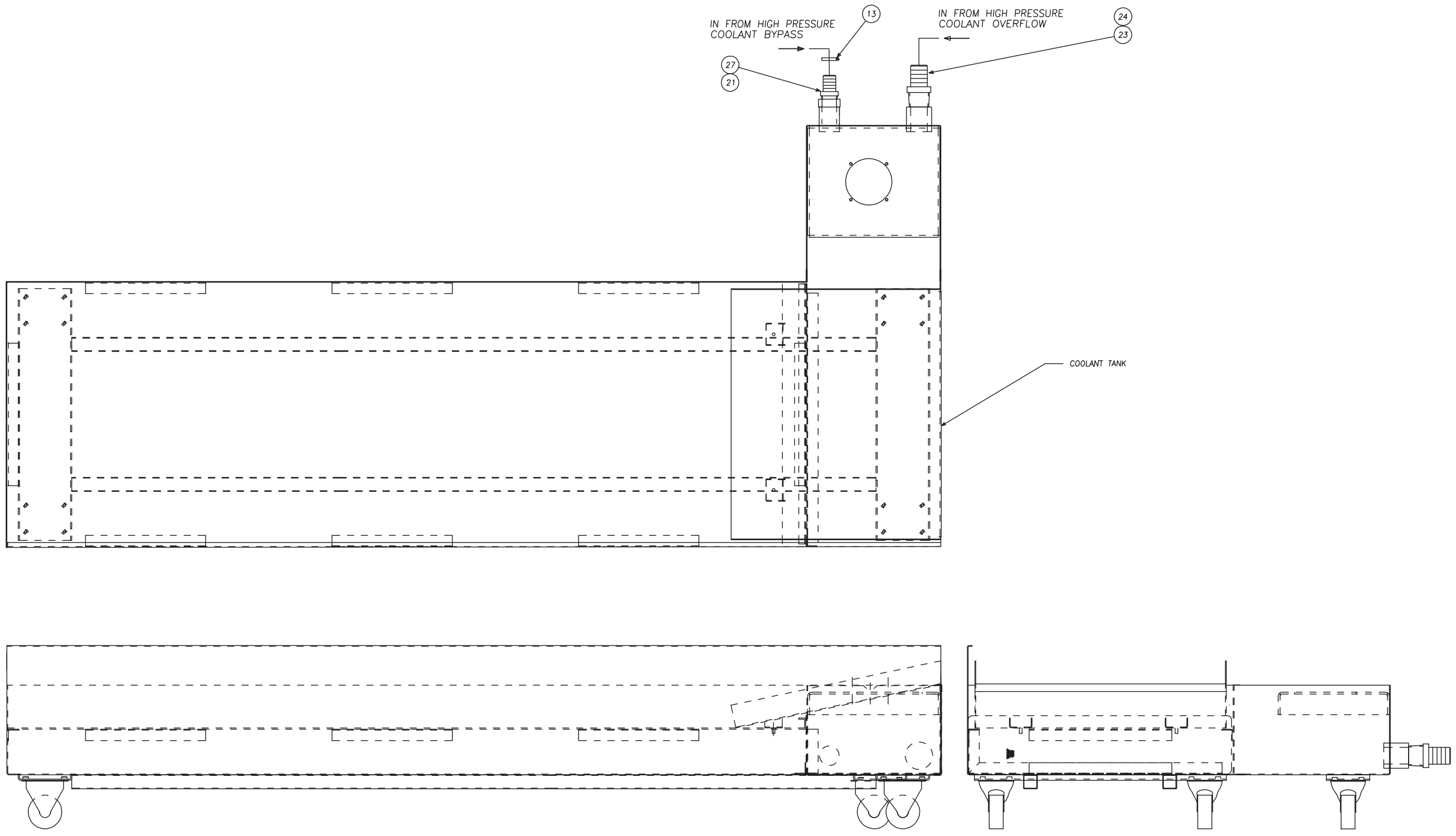
FRONT DOOR ASSEMBLY



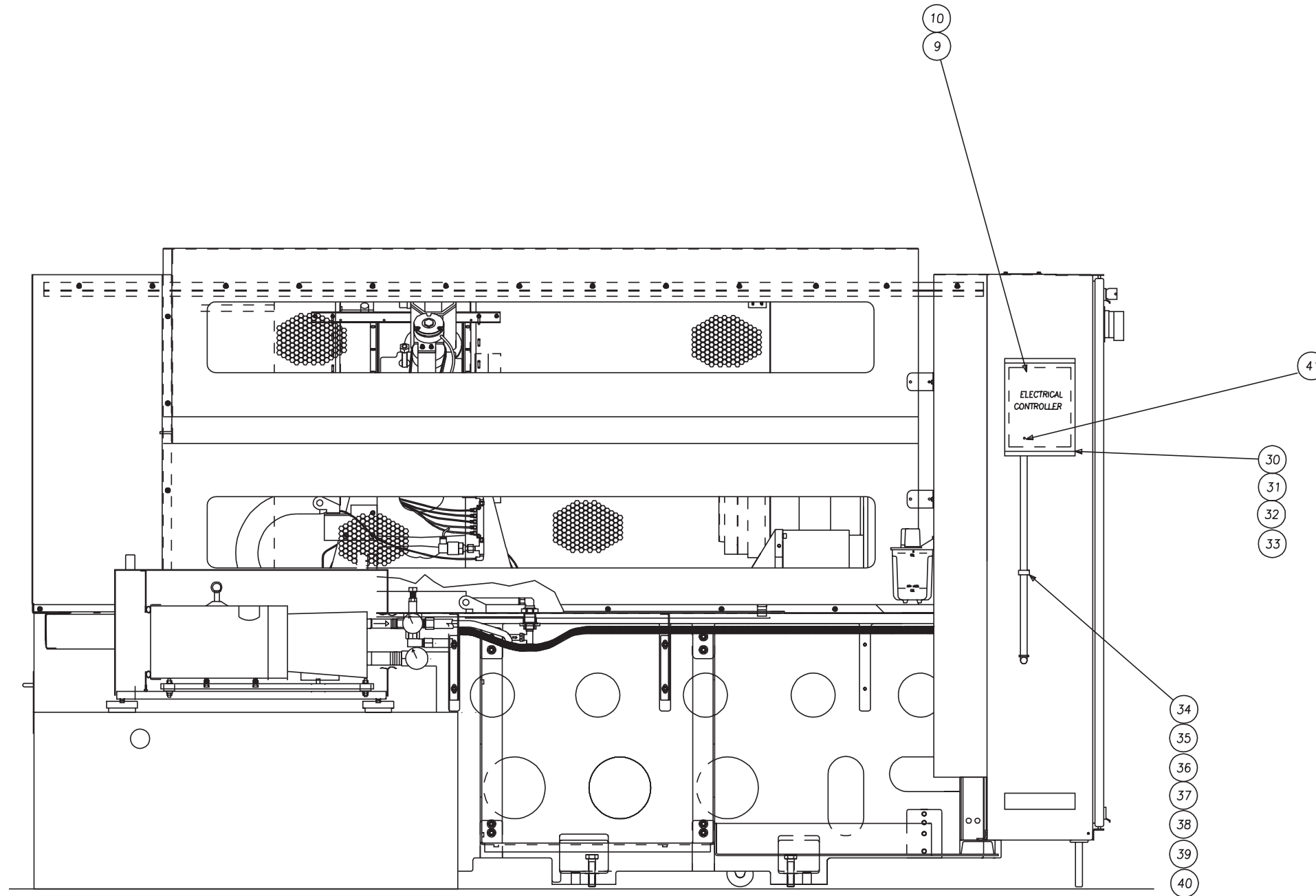
33	MS-0303315	4	BUTTON HD SCREW, M3 X 10M
32	MS-0103618	7	M6 SCREW, HEX HD CAP X 20
31	LC-0004101-C65	1	RETAINER, DOOR
30	MS-0313415	4	M4 FLAT HEAD SOCKET SCREW
29	LC-0001990-16	2	BRACKET, BUMPER
28	HG-0010541	4	BUMPER
27	LC-0000221-CS65	1	CANOPY, LC MAIN SIDE
26	LC-0001990-4965	1	GUIDE, DOOR (SAFETY)
25	MS 0303616	10	SCREW, BUT HD M6 X 12MM
24	LC-0010568	6	BUSHING, DOOR ROLLER
23	DV-0010884	.2	ADHESIVE, GASKET
22	MS-0303620	2	SCREW, BT HD M6X1.0X30MM
21	MS-0303617	4	M6 SCREW, BUTT HD x 12mm
20	NC-0010884	.1	ADHESIVE, LOCTITE #242
19	MW-0103610	20	M6 WASHER, FLAT
18	MW-0183610	20	M6 WASHER, LOCK
17	MS-0153622	4	M6 SCREW, HEX HD x 30mm
16	MN-0283610	18	M6 NUT, FLANGE
15	MS-0153617	2	M6 SCREW, HEX HD x 16mm
14	LC-0001990-1165	1	PLATE, ROLLER MOUNT
13	LC-0011404	4	DOOR ROLLER ASSEMBLY
12	CS-0011182-06	12	BUSHING, WINDOW
11	LC-0010166-0465	2	GASKET, WINDOW
10	CSA-0010449-05	1	WINDOW, DOOR
9	LC-0001990-1865	1	FRAME, WINDOW-FRONT
8	LC-0010642	1	HANDLE, DOOR
7	AH-0011281	2	BEARING
6	LC-0000221-FD65	1	DOOR, FRONT
5	GE-0010884	.42	ADHESIVE, SILICONE
4	LC-0008419	31	RIVET, POP CLOSED-END
3	LC-0006418-65	1	LABYRINTH, RIGHT REAR
2	LC-0000221-TC65	1	TOP, FRONT CANOPY
1	LC-0000221-CA65	1	CANOPY, MAIN FRONT
ITEM	PART NUMBER	QTY	DESCRIPTION

Coolant System, High Pressure



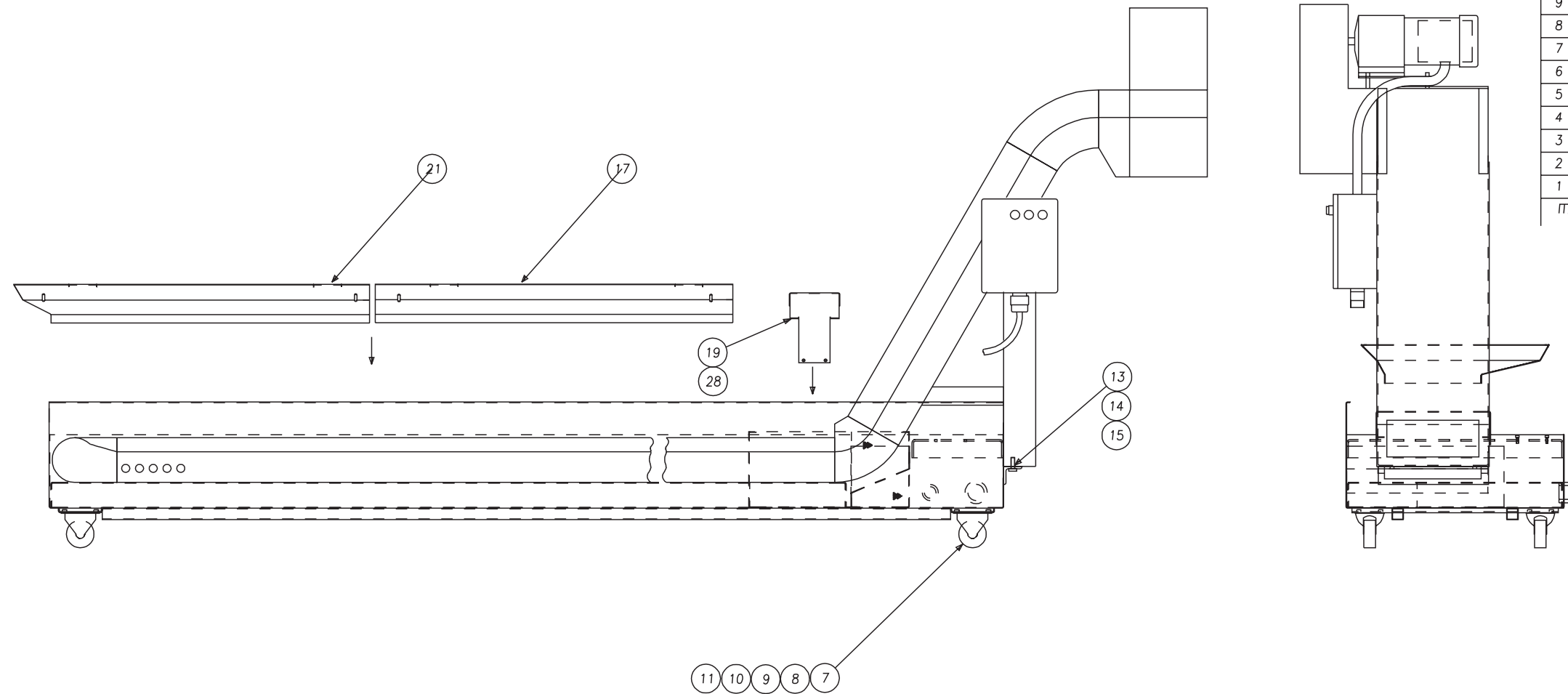
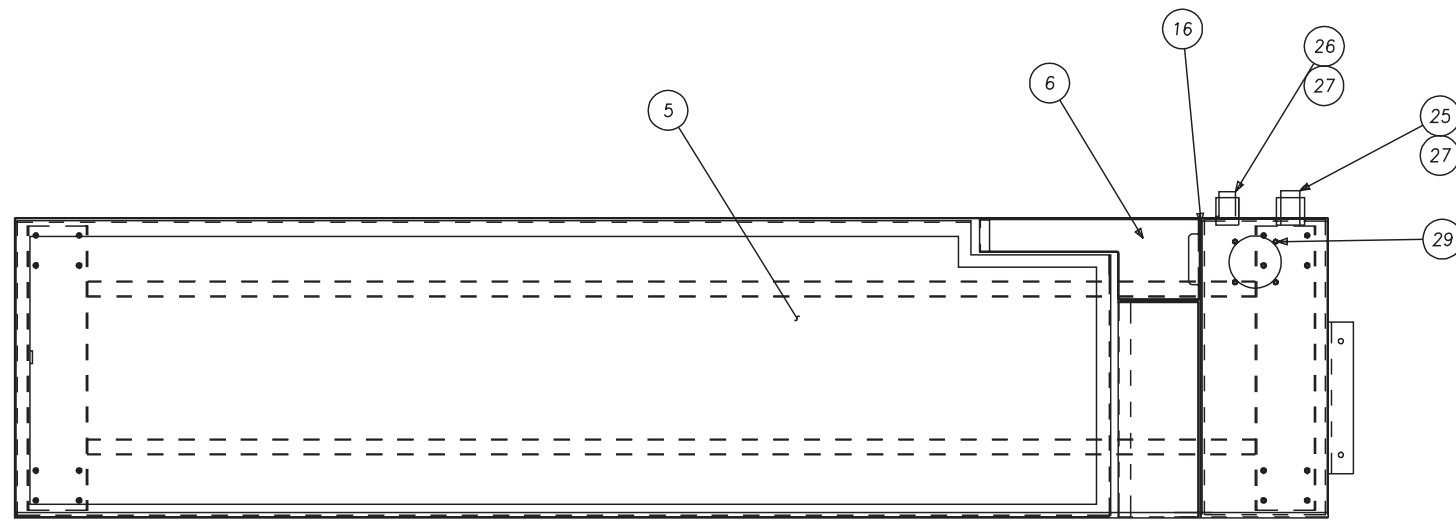


Coolant System, High Pressure



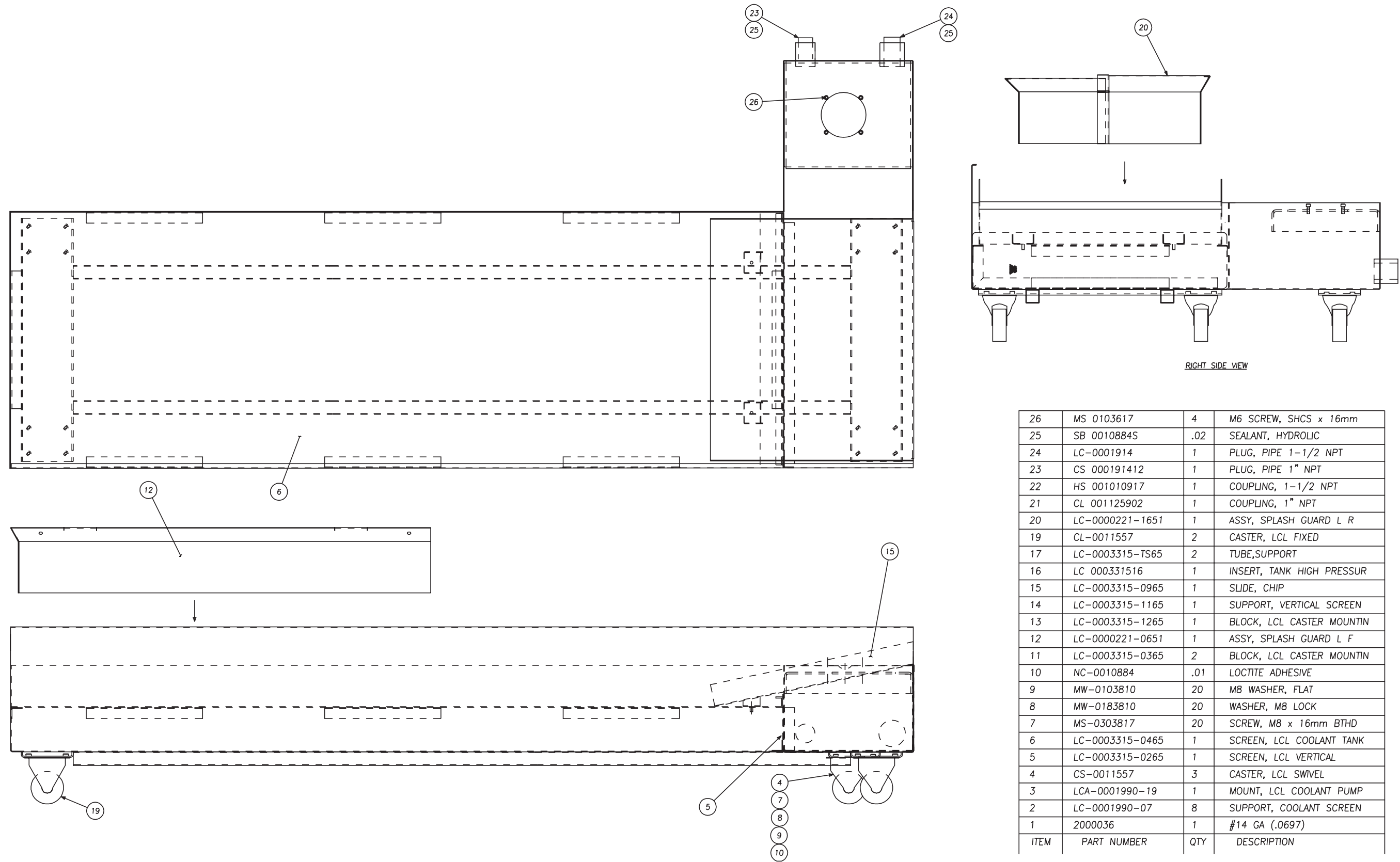
49	LC 000343651	1	FLANGE, GASKET
48	CS 000838402	1	ADAPTER NPT X BARB
47	HS 000770241	1	FITTING, BULKHEAD FEMALE
46	LC 000700712	1	HOSE, ASSEMBLY 9.63 IN
45	LC 000770230	2	ELBOW, 3/8 NPT - 1/2 37
44	LC 000700702	8	TUBING, 3/4 I.D.
43	LC 000770309	1	ADAPTER, PIPE 3/4M - 12JI
42	KH 0008384	1	ADAPTER NPT X BARB
41	CN 001194214	1	M5 PEM STUD
40	75 0010226	2	GASKET ASSEMBLY
39	MW 0263510	2	M5 WASHER, STAR
38	LM 0008104	3	TY-RAP
37	HG 001022902	2	CONDUIT, 3/4FLEX
36	CL 000770201	1	FITTING, 3/4 STRAIGHT
35	CN 0008104	1	MOUNT, TY-RAP
34	HG 001125906	1	FITTING, 90 DEG
33	MW 0183610	4	M6 WASHER, LOCK
32	MW 0103610	4	M6 WASHER, FLAT
31	MN 0283610	4	M6 NUT, HEX FLANGE
30	MS 0303616	4	M6 BUTHD SCREW X 12MM
29	R 0008044	4	PIN, ESCUTCHEON
28	LC 001145201	1	VALVE, CHECK
27	HS 000770248	1	CONNECTOR, 1/2 NPT
26	HS 001010904	2	NIPPLE, CLOSE 1/2NPT
25	LC 000770229	4	ADAPTER, 1/2 NPT X 37"
24	LH 0006966	1	CLAMP,HOSE
23	HS 001125905	1	NIPPLE, 1-1/2 HOSE
21	HS 000770249	1	REDUCER 1"M TO 1/2"F
19	LC 000770228	2	ELBOW, 1/2 NPT - 1/2 37
18	LC 000700710	1	HOSE, ASSEMBLY 30 IN
17	LC 000700708	1	HOSE, ASSEMBLY 29 IN
16	LC 000700709	1	HOSE, ASSEMBLY 50 IN
15	VL 000770205	1	TEE, 1/2 NPT
14	JL 0010110	1	3/4" 90° FEMALE ELBOW
13	CC 0006966	4	CLAMP, 3/4 HOSE
12	CS 0003504	1	NIPPLE, CLOSE 3/4 NPT
11	SB 0010884S	1	SEALANT, HYDRAULIC
10	DV 0010546	1	NUT, GROUND
9	DV 0010545	1	POST, GROUND
8	CL 000838402	1	ADAPTER
7	LC 000700707	1	HOSE, ASSEMBLY 72 IN
6	AH 0009910	10	TIE-RAPS (LARGE)
5	LC 0009813HP	1	BLOCK, COOLANT HIGH PRESS
4	LH 900331514	1	COUPLING 3/4" NPT
3	CS 0007702	1	TEE, 3/4 NPT
2	CS 000838402	1	3/4 CONNECTOR
1	HS 0003310HP02	1	HP COOLANT PUMP
ITEM	PART NUMBER	QTY	DESCRIPTION

Coolant Tank Assembly, Chip Conveyor

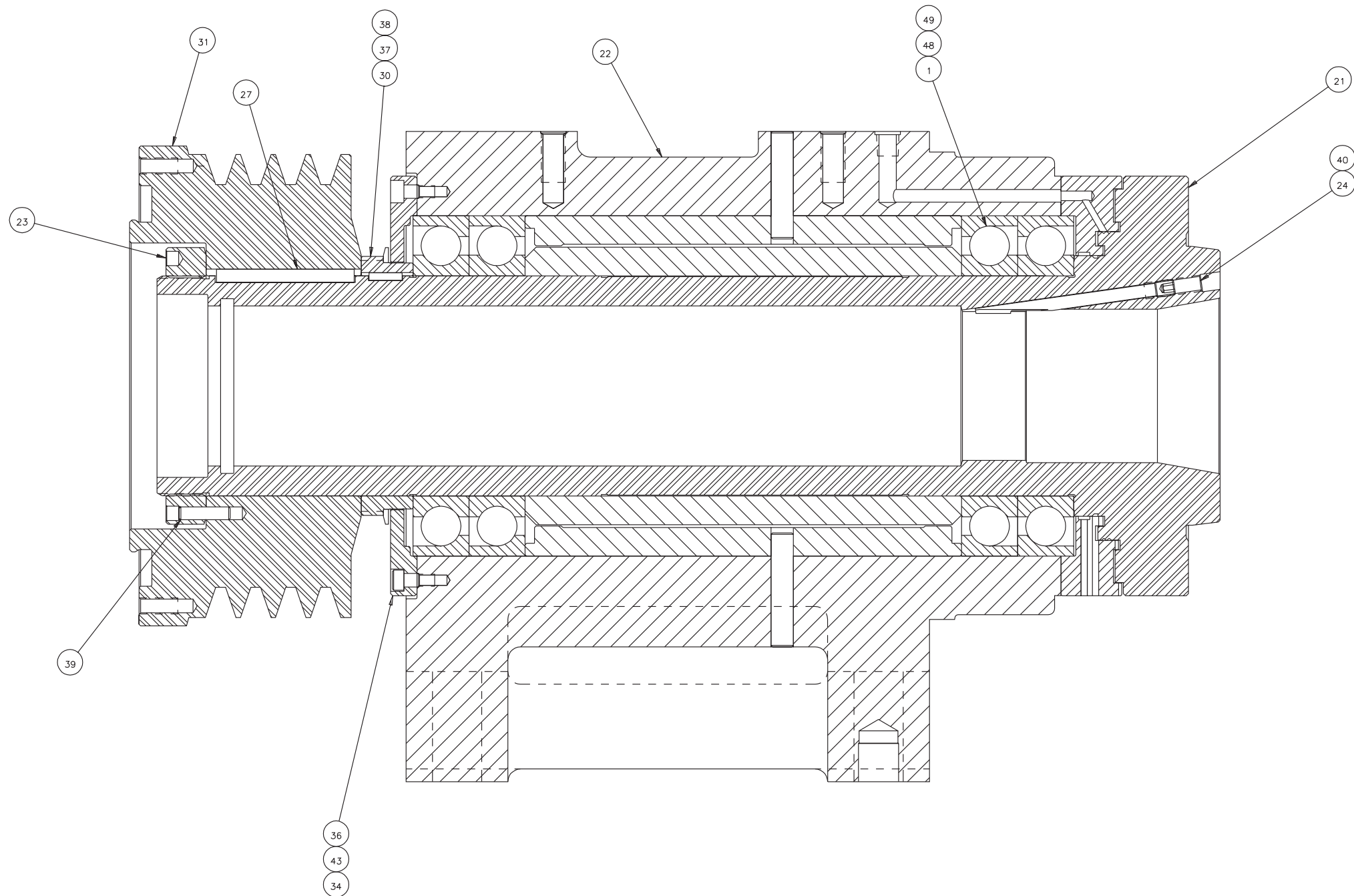


29	MS 0103617	4	M6 SCREW, SHCS x 16mm
28	MS-0303415	4	SCREW, M4 X 10mm BTHD
27	SB 0010884S	.02	SEALANT, HYDROLIC
26	CS 000191412	1	PLUG, PIPE 1" NPT
25	LC-0001914	1	PLUG, PIPE 1-1/2 NPT
24	HS 001010917	1	COUPLING, 1-1/2 NPT
23	CL 001125902	1	COUPLING, 1" NPT
22	LC-0003315-1465	1	END CAP, TANK
21	LC-0000221-J651	1	SHIELD, COOLANT TANK W/CO
20	LC-0003315-T365	2	TANK, SUPPORT
19	LC-0010115-0365	1	COVER, LCL CONVEYOR
18	LC-0001990-4365	1	SHIELD, W/CONV COOLANT
17	LC-0000221-C651	1	SHIELD, COOLANT TANK W/CO
16	LC-0003315-0665	1	SCREEN, W/CONV.
15	MW-0194010	2	WASHER, M10 LOCK
14	MW-0104010	2	WASHER, M10 FLAT
13	MN-0114010	2	NUT, HEX M10-1.5
12	LC-0003315-0365	2	BLOCK, LCL CASTER MOUNTIN
11	NC-0010884	.01	LOCTITE ADHESIVE
10	MW-0103810	16	M8 WASHER, FLAT
9	MW-0183810	16	WASHER, M8 LOCK
8	MS-0303817	16	SCREW, M8 x 16mm BTHD
7	CS-0011557	4	CASTER, LCL SWIVEL
6	LC-0001990-CB65	1	ASSEMBLY, LCL CHIP BASKET
5	LC-0003315-1565	1	PAN, CHIP CONVEYOR
4	MS-0154020	2	SCREW, HEX HD M10X1.5X30M
3	CS-0003990-56	1	BRACKET, CHIP CONVEYOR
2	LC-0003315-M65	1	MOUNT, CONVEYOR TANK PUMP
1	2000036	1	#14 GA (.0697)
ITEM	PART NUMBER	QTY	DESCRIPTION

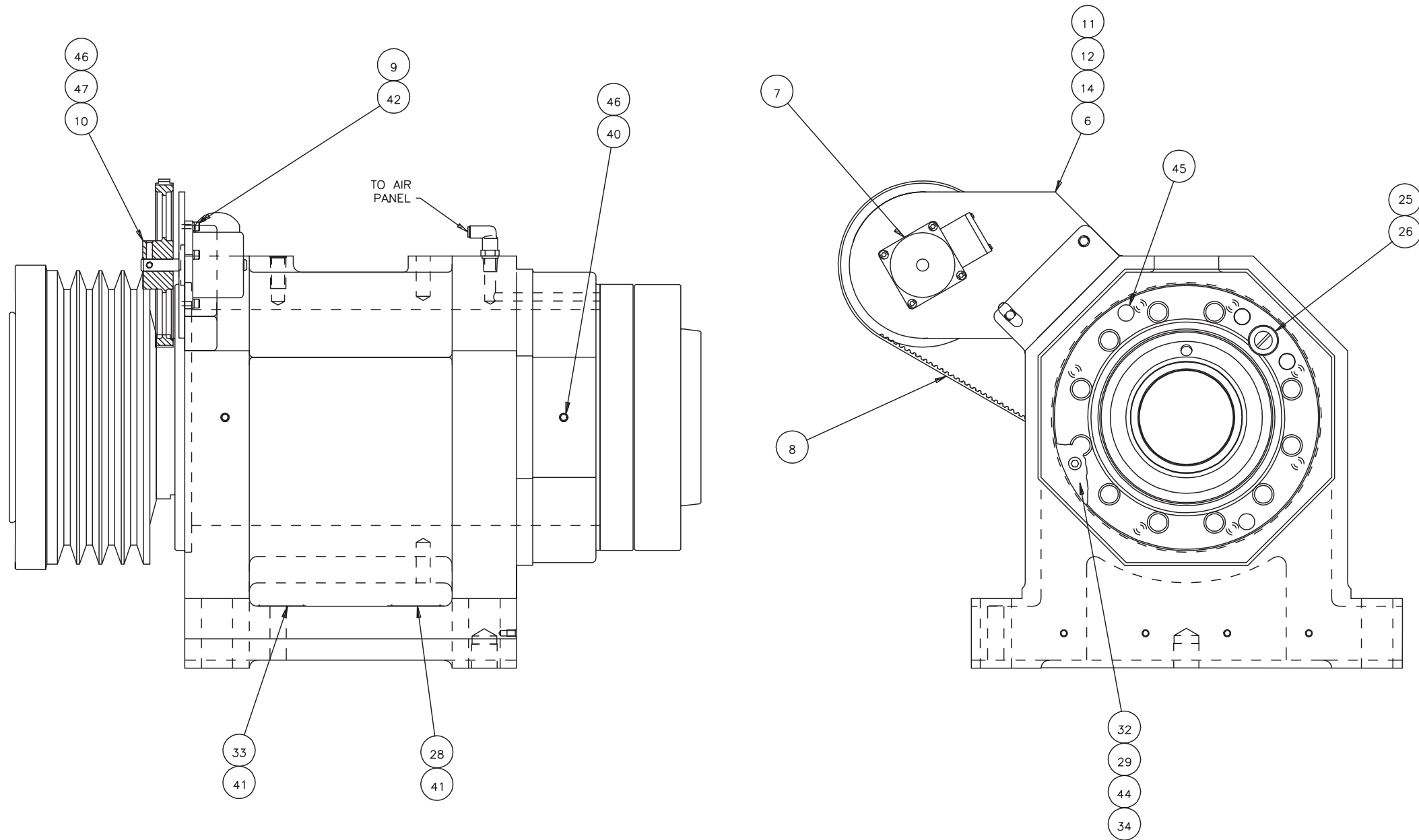
Coolant Tank Assembly, Standard



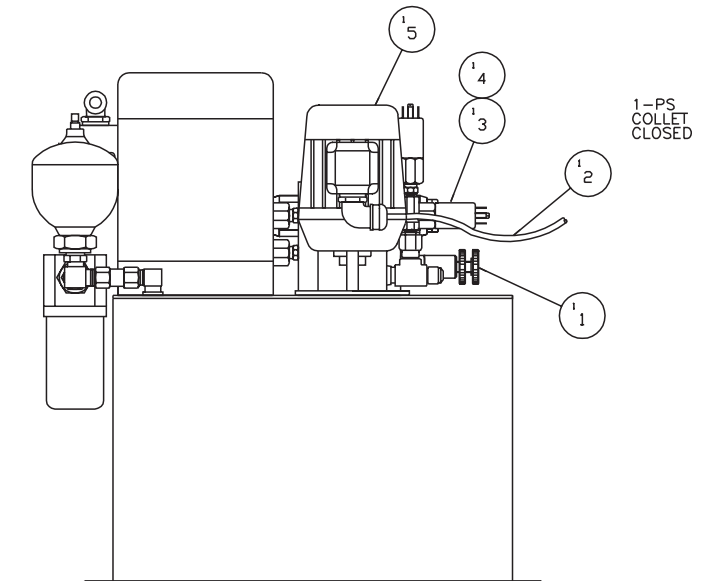
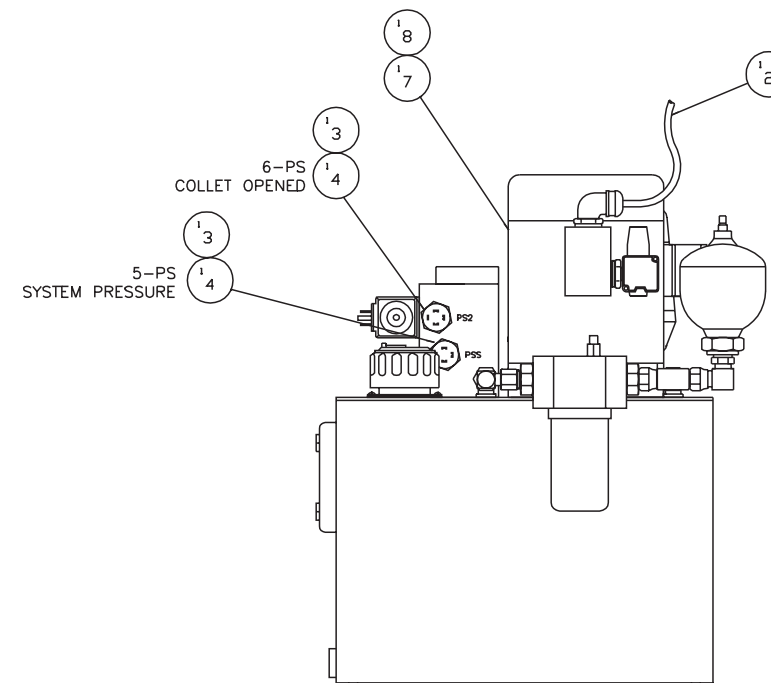
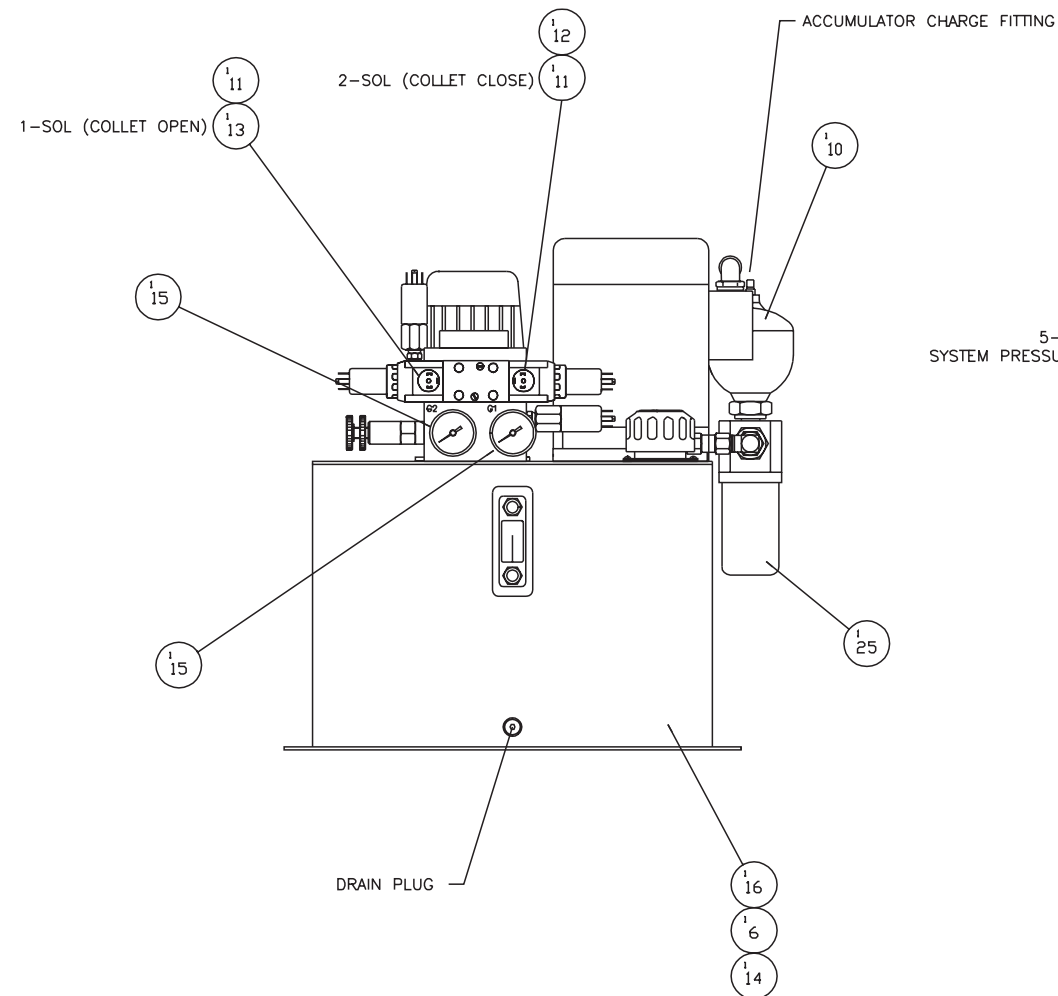
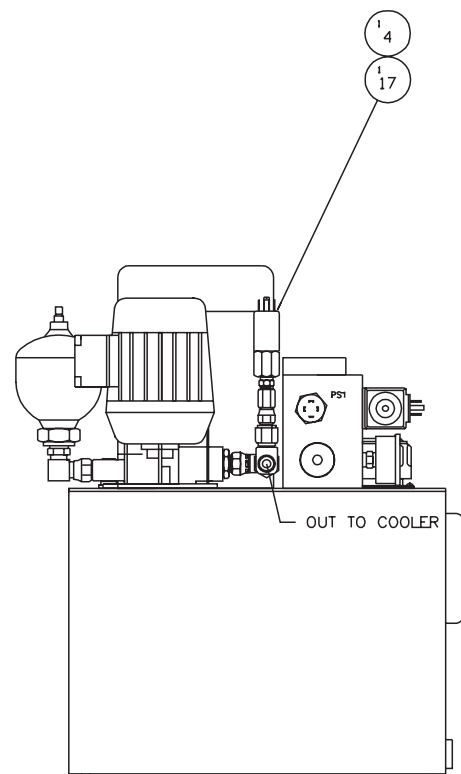
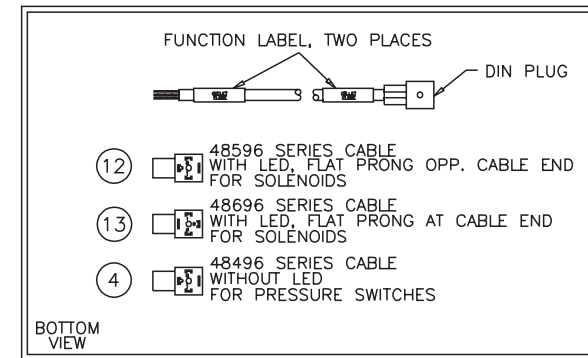
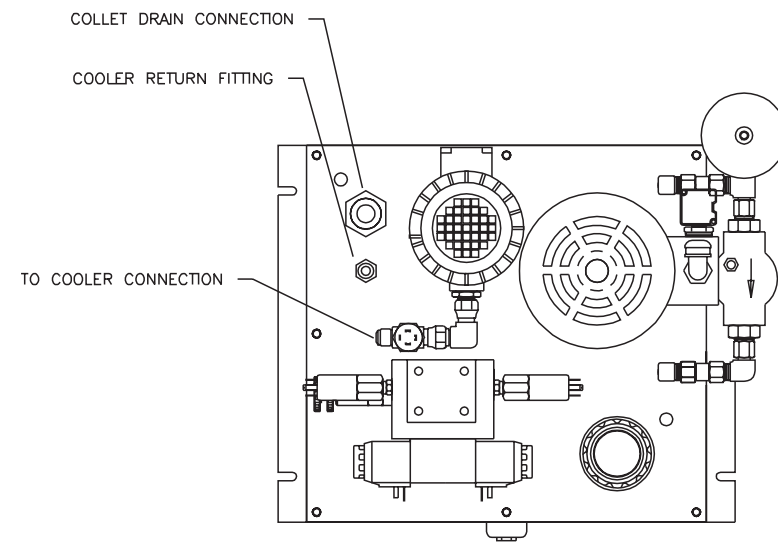
26	MS 0103617	4	M6 SCREW, SHCS x 16mm
25	SB 0010884S	.02	SEALANT, HYDROLIC
24	LC-0001914	1	PLUG, PIPE 1-1/2 NPT
23	CS 000191412	1	PLUG, PIPE 1" NPT
22	HS 001010917	1	COUPLING, 1-1/2 NPT
21	CL 001125902	1	COUPLING, 1" NPT
20	LC-0000221-1651	1	ASSY, SPLASH GUARD L R
19	CL-0011557	2	CASTER, LCL FIXED
17	LC-0003315-TS65	2	TUBE,SUPPORT
16	LC 000331516	1	INSERT, TANK HIGH PRESSUR
15	LC-0003315-0965	1	SLIDE, CHIP
14	LC-0003315-1165	1	SUPPORT, VERTICAL SCREEN
13	LC-0003315-1265	1	BLOCK, LCL CASTER MOUNTIN
12	LC-0000221-0651	1	ASSY, SPLASH GUARD L F
11	LC-0003315-0365	2	BLOCK, LCL CASTER MOUNTIN
10	NC-0010884	.01	LOCTITE ADHESIVE
9	MW-0103810	20	M8 WASHER, FLAT
8	MW-0183810	20	WASHER, M8 LOCK
7	MS-0303817	20	SCREW, M8 x 16mm BTHD
6	LC-0003315-0465	1	SCREEN, LCL COOLANT TANK
5	LC-0003315-0265	1	SCREEN, LCL VERTICAL
4	CS-0011557	3	CASTER, LCL SWIVEL
3	LCA-0001990-19	1	MOUNT, LCL COOLANT PUMP
2	LC-0001990-07	8	SUPPORT, COOLANT SCREEN
1	2000036	1	#14 GA (.0697)
ITEM	PART NUMBER	QTY	DESCRIPTION

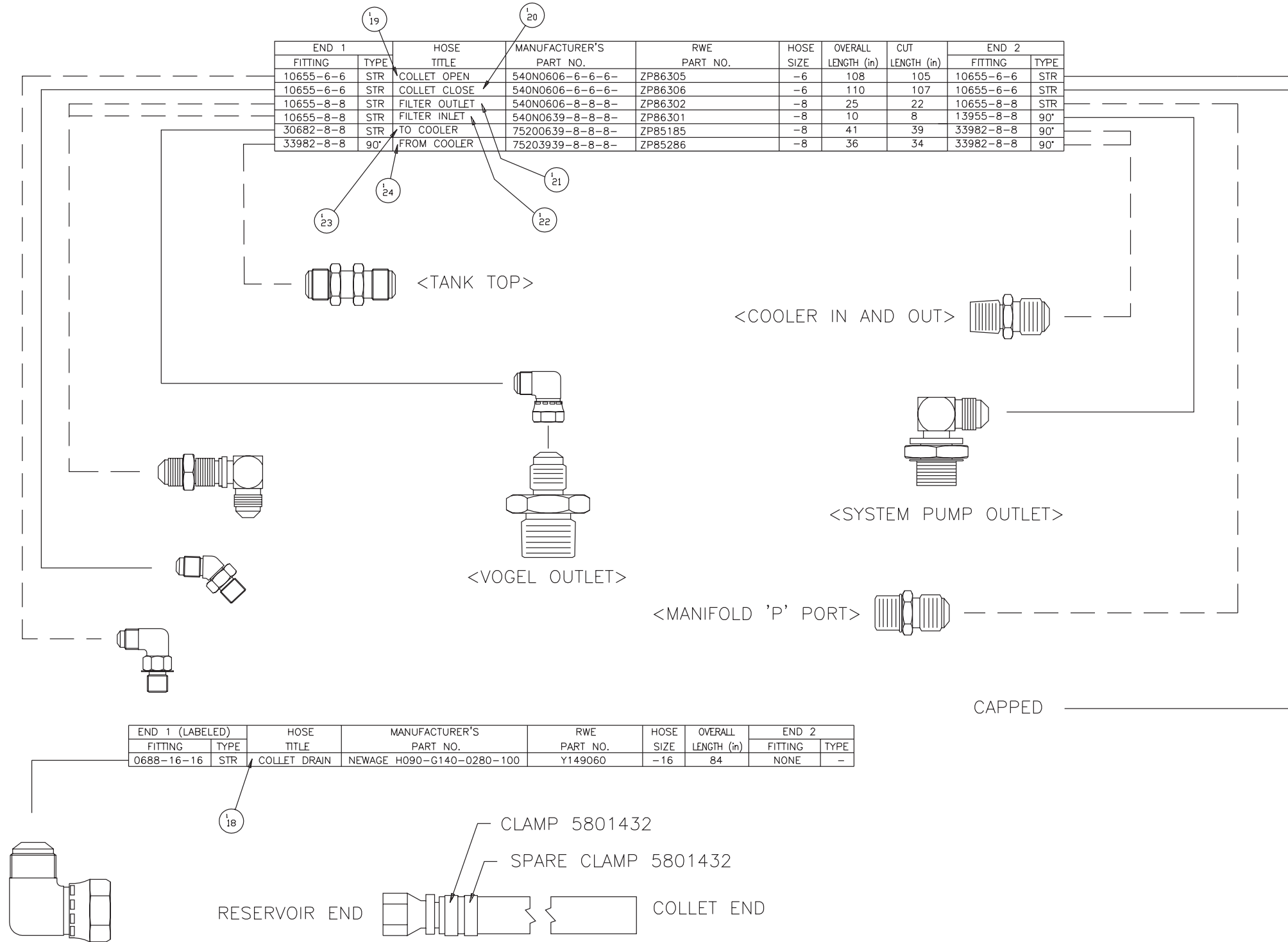


Headstock Assembly



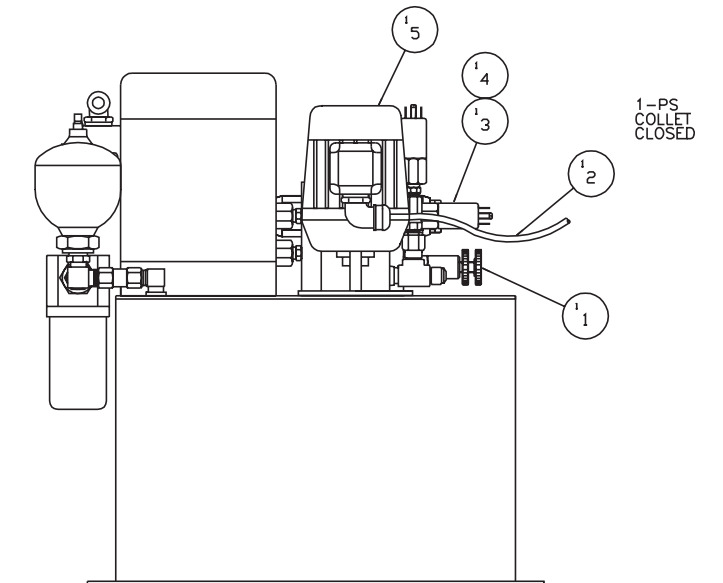
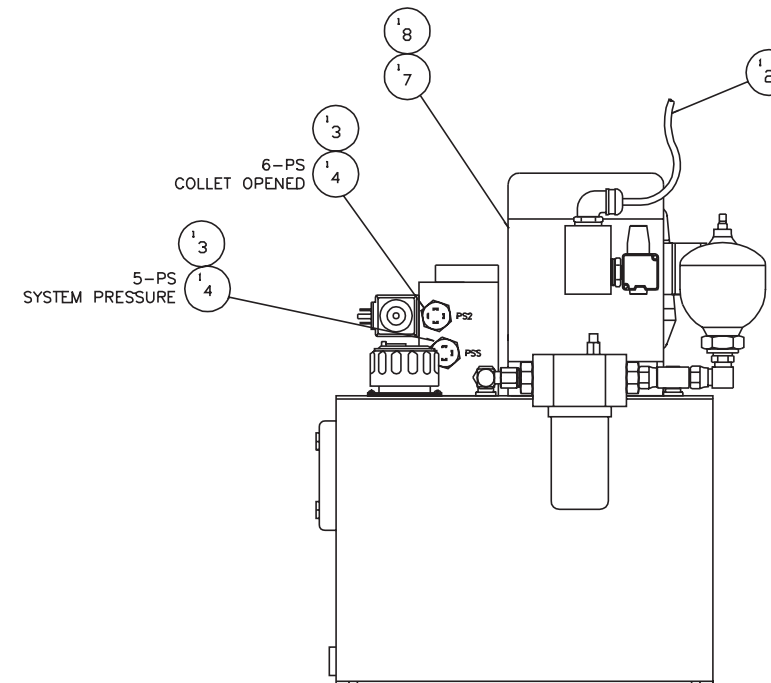
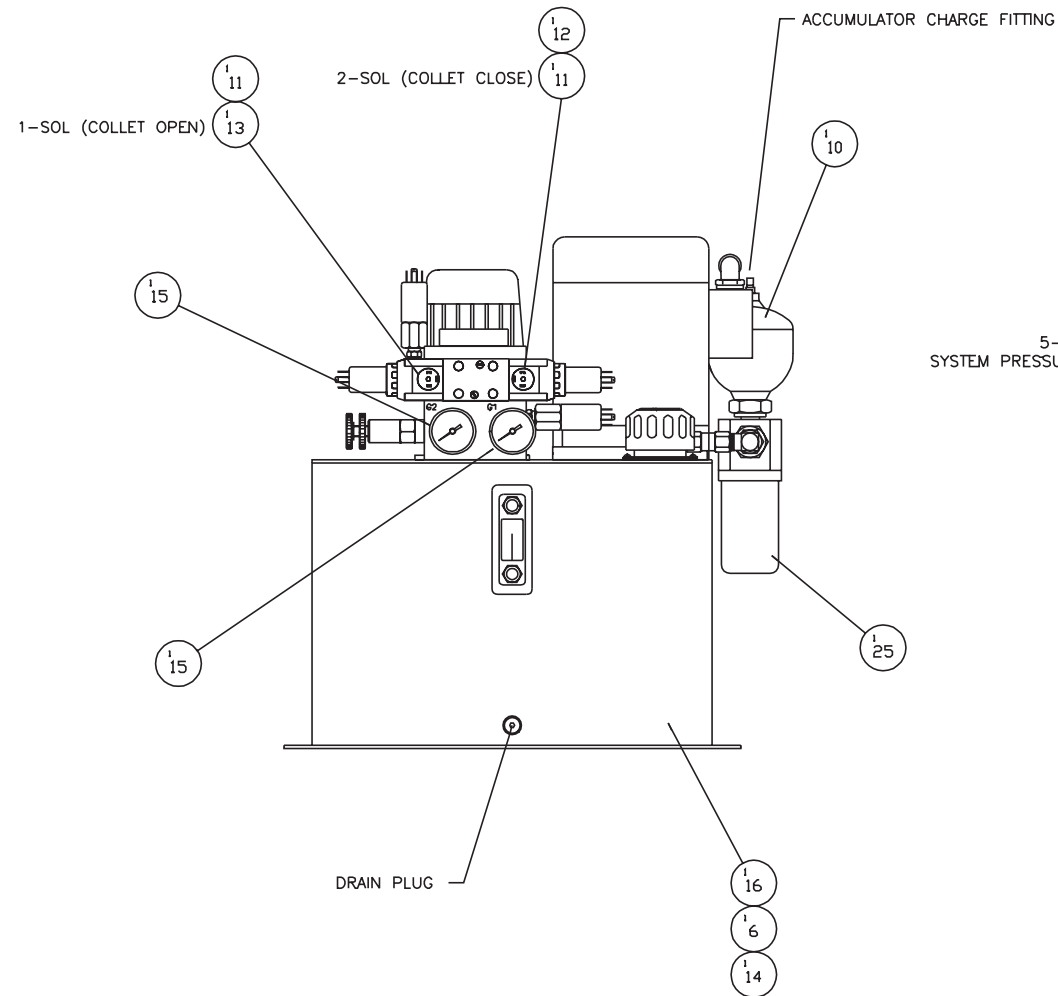
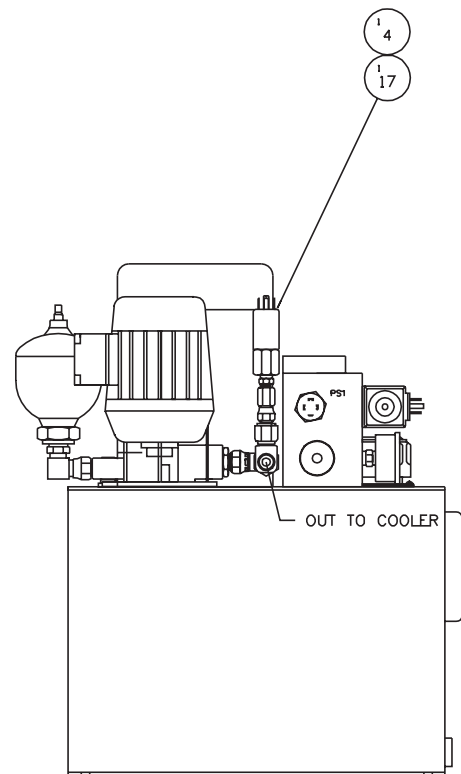
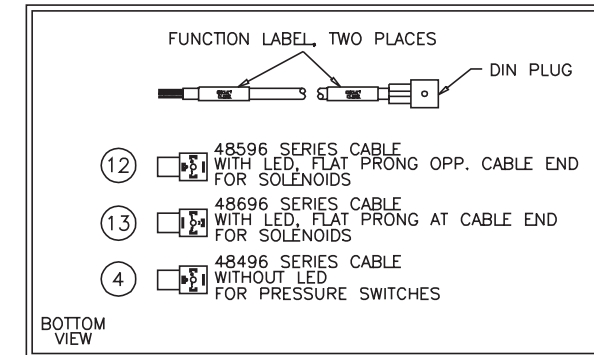
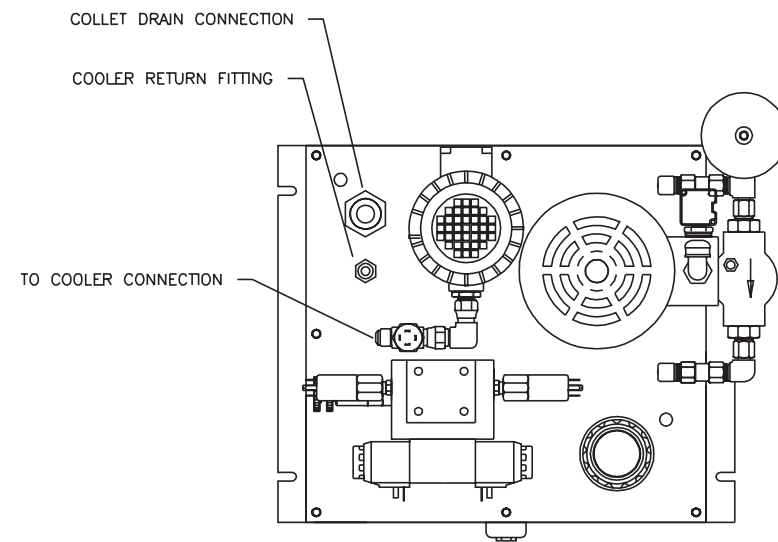
49	LO 0003185	1.00	BEARING CLEANING LAYOUT
48	HS 0010994SL	0.07	KLUBER GREASE ISOFLEX NBU-15
47	MS 0553514	2.00	M5 SCREW, SSCP x 10mm
46	NC 001088401	0.06	LOCTITE #222
45	SG 000972701	2.00	PLUG, NYLON
44	MS 0103619	8.00	M6 SCREW, SHCS x 25mm
43	MS 0103618	8.00	M6 SCREW, SHCS x 20mm
42	MW 0193410	4.00	WASHER, LOCK M4
41	R 0008044	4.00	PIN, ESCUTCHEON
40	MS 0573613	3.00	M6 SCREW, SSFP x 6mm
39	NT 0006708	2.00	1/4" DIA x 1" PULLOUT DOWEL
38	CL 000631702	1.00	KEY, PULLEY TIMING
37	CL 0003177 F	1.00	FLANGE, PULLEY
36	CL 000027502	1.00	CAP, REAR
34	NC 0010884	0.12	LOCTITE
33	KL 0001535	1.00	TAG, SER. NO. PLATE
32	LCA000027565	1.00	CAP, FRONT
31	LC 000405365	1.00	PULLEY, SPINDLE
30	CL 000317704	1.00	TIMING, PULLEY
29	LC 001011665	1.00	GASKET, FRONT CAP
28	CS 0001535 M	1.00	LABEL, MODULE #
27	LC 00631765	1.00	KEY, SPINDLE PULLEY
26	CL 001192003	1.00	BUTTON SCREW
25	CL 001192002	1.00	BUTTON DRIVING
24	LC 000028465	1.00	SCREW, COLLET KEY
23	CL 000406805	1.00	NUT, SPINDLE
22	LCA000026465	1.00	HEADSTOCK, HOUSING
21	LC 000028365	1.00	SPINDLE
14	MW 0103810 H	2.00	WASHER, FLAT M8
12	MW 0193810	2.00	WASHER, LOCK M8
11	MS 0103818	2.00	M8 SCREW, SHCS x 20mm
10	LC 000317765T	1.00	PULLEY, TIMING
9	MS 0103417	4.00	M4 SCREW, SHCS x 16mm
8	LC 000334665T1	1.00	BELT, TIMING
7	LC 001179701	1.00	ENCODER
6	LC 001046765	1.00	BRACKET, FEEDBACK
1	LCA000026565	2.00	BEARING SET, SPINDLE
ITEM	PART NUMBER	QUANTITY	DESCRIPTION

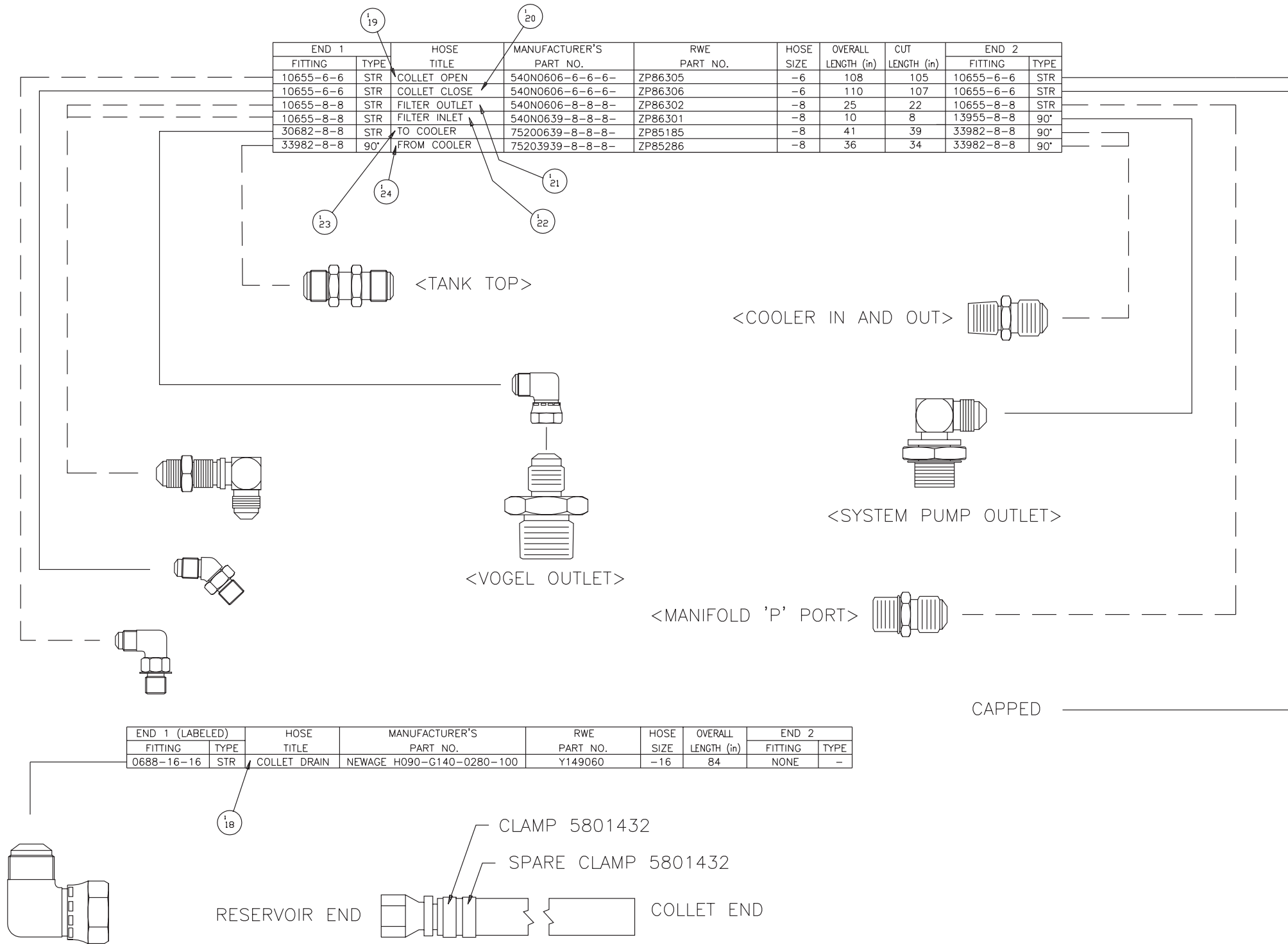




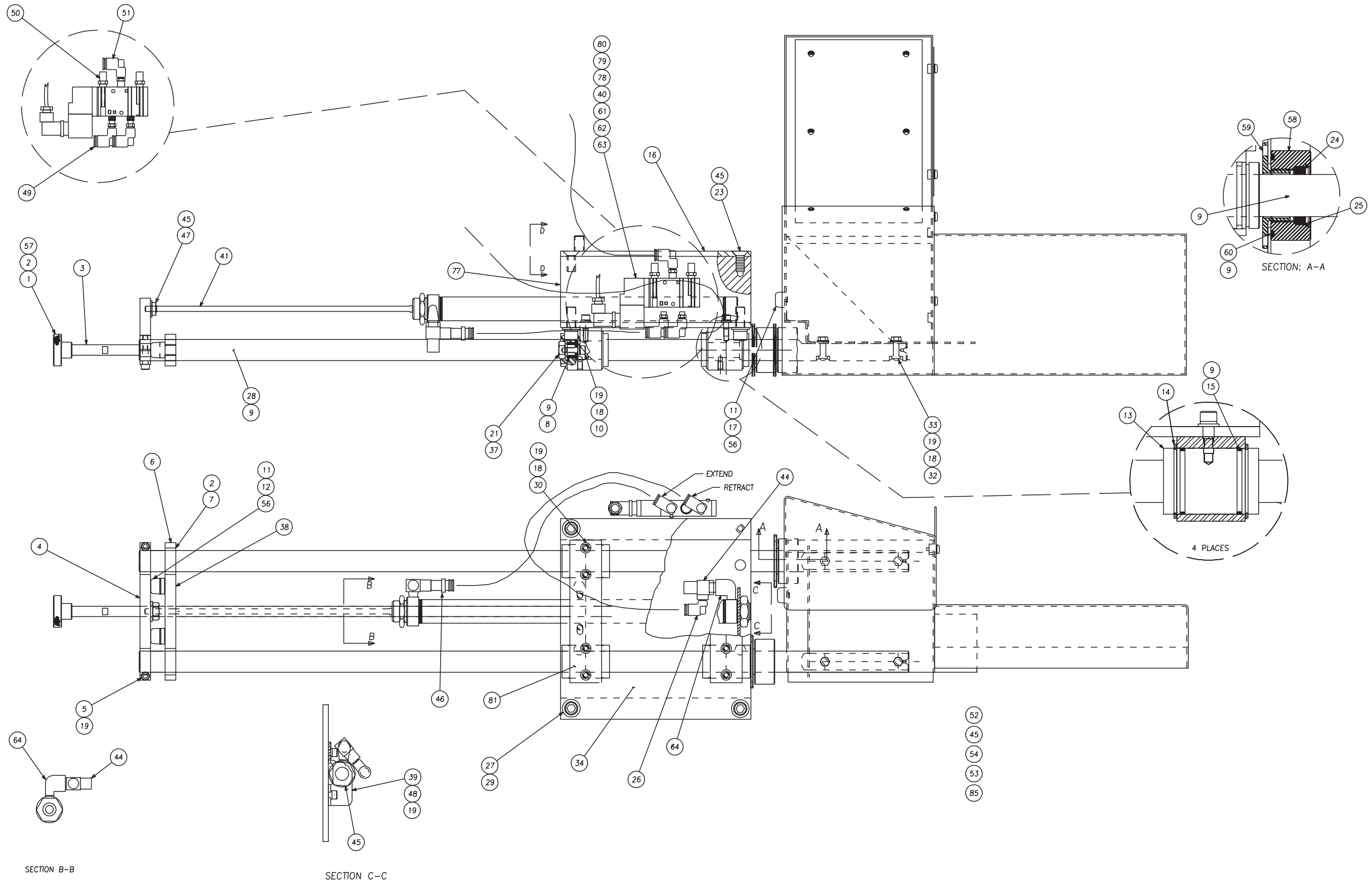
25	LC 001161401	1.0000	FILTER, CARTRIDGE
24	LC 000700406	1.0000	HOSE, FROM COOLER
23	LC 000700405	1.0000	HOSE, TO COOLER
22	LC 000700404	1.0000	HOSE, FILTER INLET
21	LC 000700403	1.0000	HOSE, FILTER OUTLET
20	LC 000700402	1.0000	HOSE, COLLET CLOSE
19	LC 000700401	1.0000	HOSE, COLLET OPEN
18	LC 000700411	1.0000	HOSE, COLLET DRAIN
17	LC 001173602	1.0000	SWITCH, PRESSURE
16	CSA001005901	1.0000	COUPLING, INSERT
15	CS 0011537	2.0000	GAUGE, PRESSURE
14	CS 000332504	1.0000	PUMP, SYSTEM
13	LC 000301102	1.0000	CABLE ASSEMBLY
12	LC 000301101	1.0000	CABLE ASSEMBLY
11	VL 0003048CCDV	2.0000	VALVE, SOLENOID COLLET
10	LC 001161402	1.0000	ACCUMULATOR
8	LC 000933205	1.0000	1HP 3PH 230 VAC
7	SG 0011792	1.0000	COUPLING, MOTOR
6	CS 001179208	1.0000	COUPLING, PUMP
5	LCA0003325	1.0000	PUMP, COOLING
4	LC 000301103	4.0000	CABLE ASSEMBLY
3	CSA001173602	3.0000	SWITCH, PRESSURE
2	LC 000301104	2.0000	CABLE, MOTOR
1	CS 000304804	1.0000	PRESSURE REGULATOR, COLLET
ITEM	PART NUMBER	QUANTITY	DESCRIPTION

Hydraulic Unit, Non-CE Mark

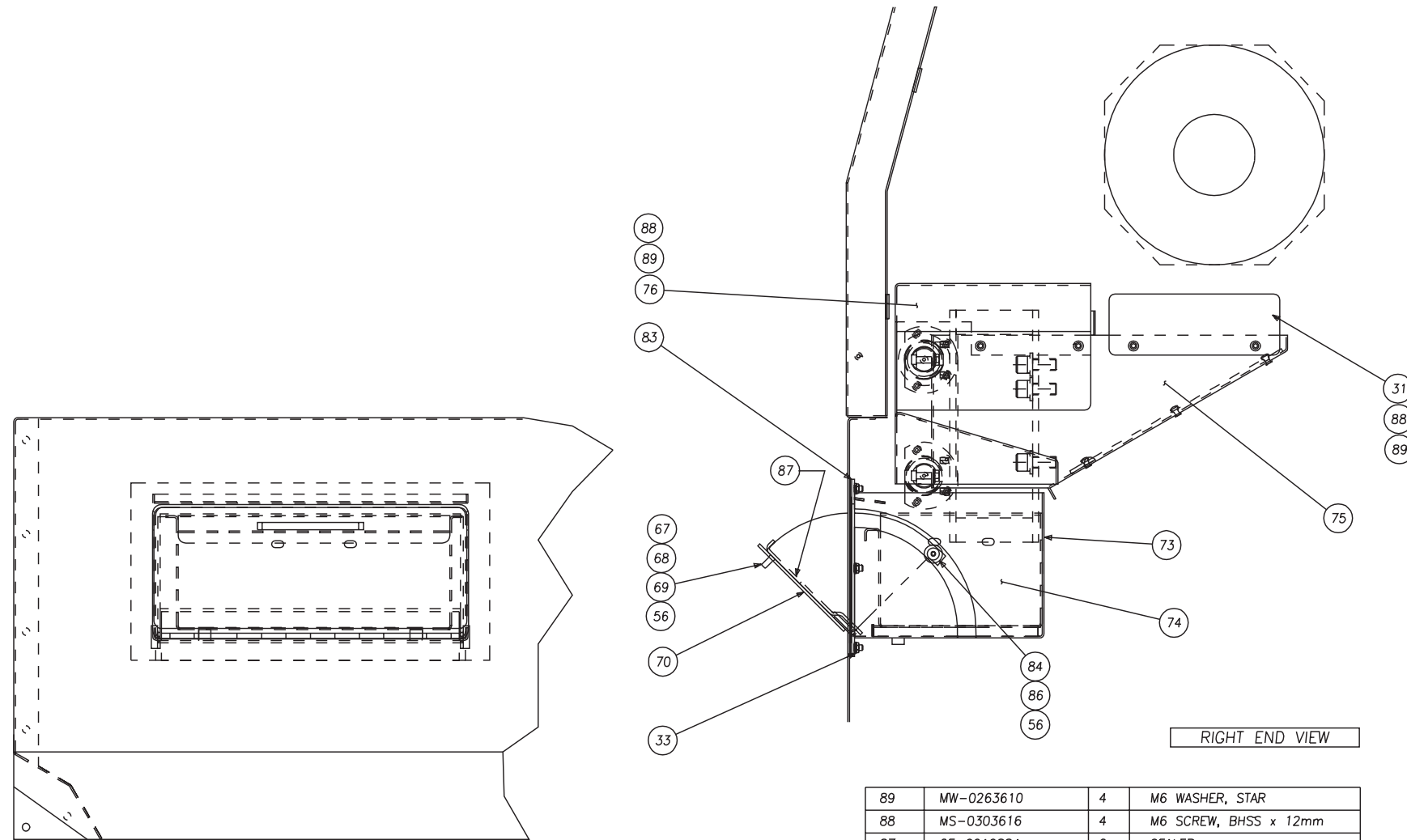




25	LC 001161401	1.0000	FILTER, CARTRIDGE
24	LC 000700406	1.0000	HOSE, FROM COOLER
23	LC 000700405	1.0000	HOSE, TO COOLER
22	LC 000700404	1.0000	HOSE, FILTER INLET
21	LC 000700403	1.0000	HOSE, FILTER OUTLET
20	LC 000700402	1.0000	HOSE, COLLET CLOSE
19	LC 000700401	1.0000	HOSE, COLLET OPEN
18	LC 000700411	1.0000	HOSE, COLLET DRAIN
17	LC 001173602	1.0000	SWITCH, PRESSURE
16	CSA001005901	1.0000	COUPLING, INSERT
15	CS 0011537	2.0000	GAUGE, PRESSURE
14	CS 000332504	1.0000	PUMP, SYSTEM
13	LC 000301102	1.0000	CABLE ASSEMBLY
12	LC 000301101	1.0000	CABLE ASSEMBLY
11	VL 0003048CCDV	2.0000	VALVE, SOLENOID COLLET
10	LC 001161402	1.0000	ACCUMULATOR
8	LC 000933204	1.0000	1HP 3PH 230 VAC
7	SG 0011792	1.0000	COUPLING, MOTOR
6	CS 001179208	1.0000	COUPLING, PUMP
5	LCA0003325	1.0000	PUMP, COOLING
4	LC 000301103	4.0000	CABLE ASSEMBLY
3	CSA001173602	3.0000	SWITCH, PRESSURE
2	LC 000301104	2.0000	CABLE, MOTOR
1	CS 000304804	1.0000	PRESSURE REGULATOR, COLLET
ITEM	PART NUMBER	QUANTITY	DESCRIPTION

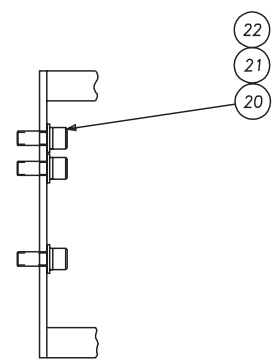


Part Catcher Assembly



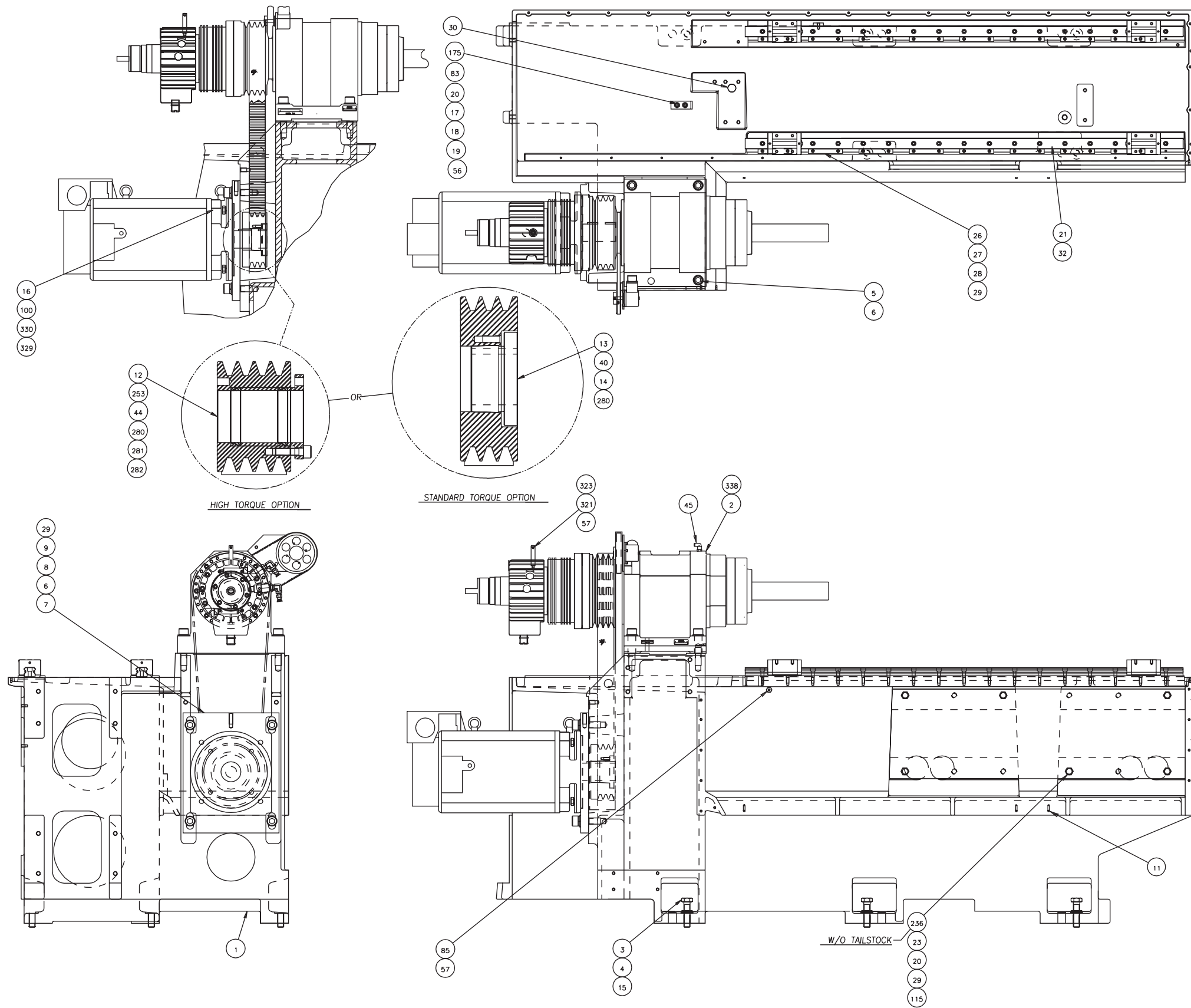
FRONT VIEW

RIGHT END VIEW

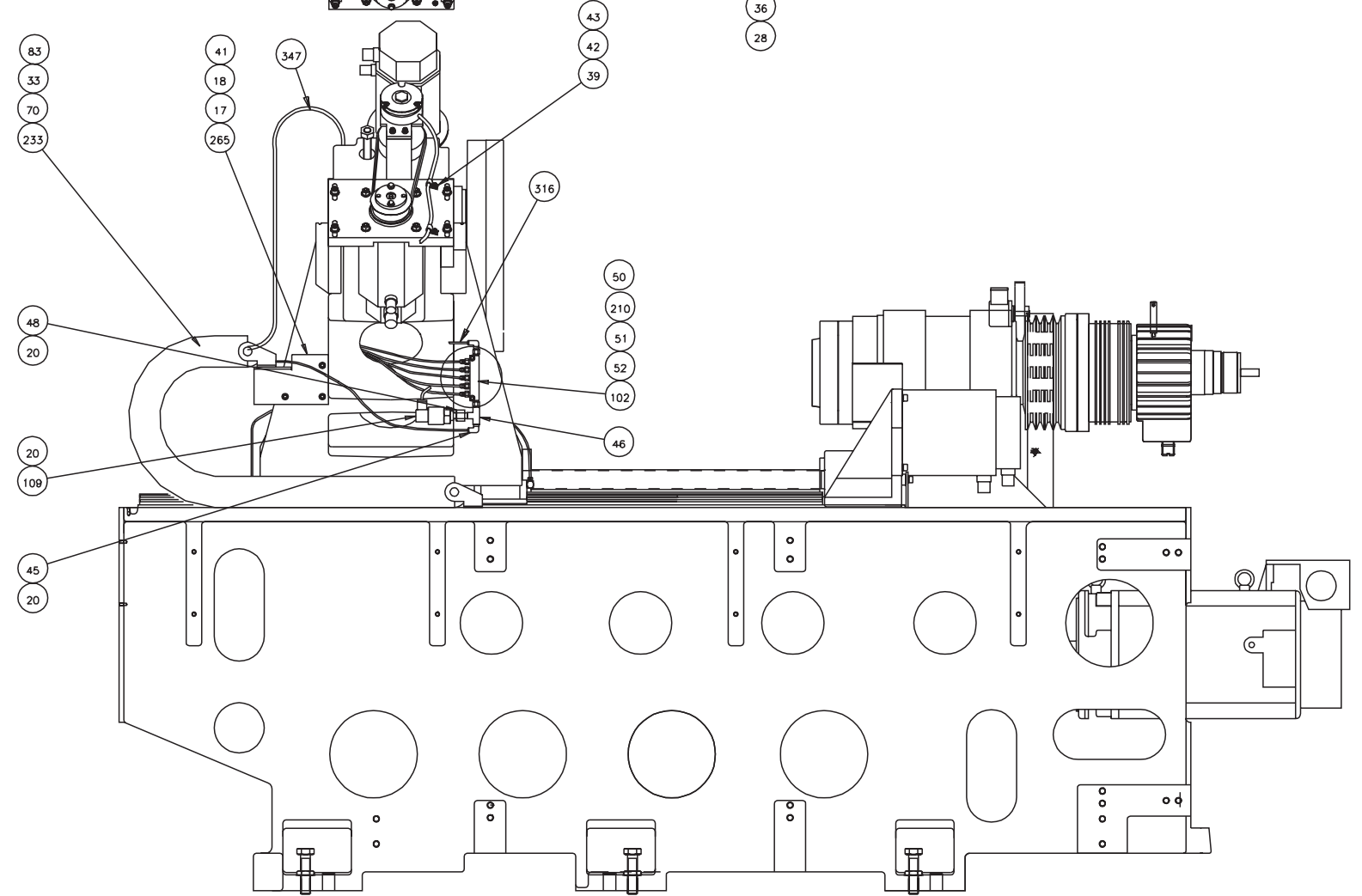
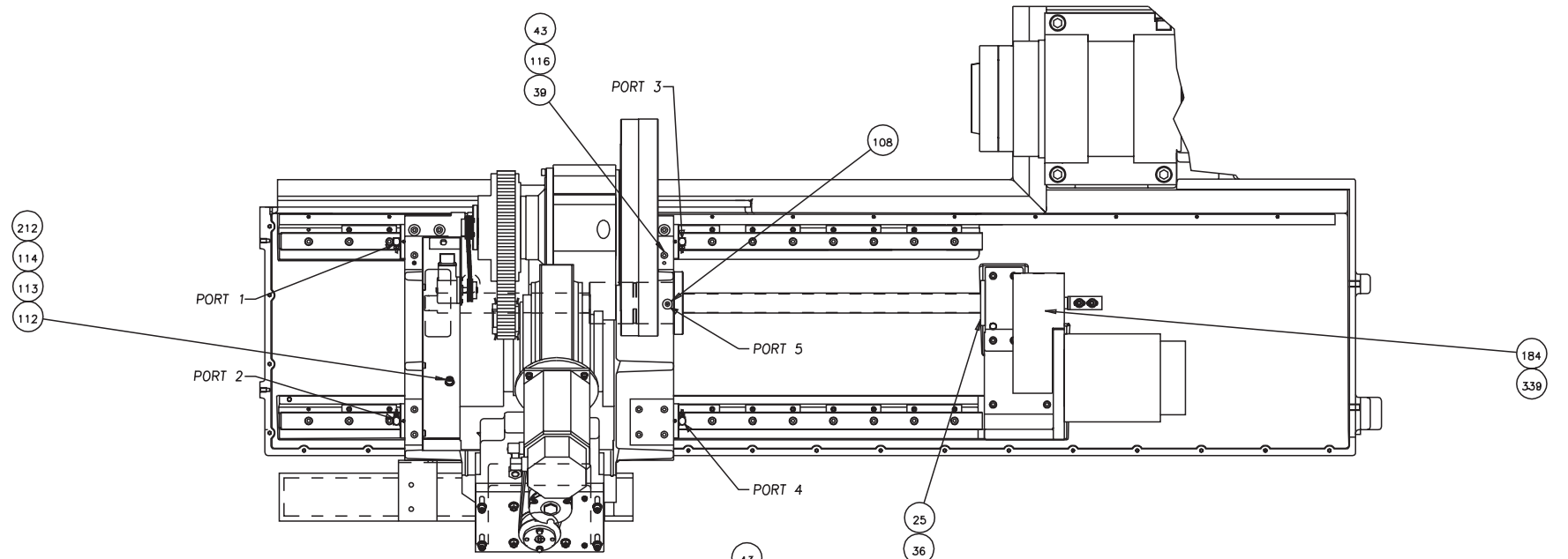
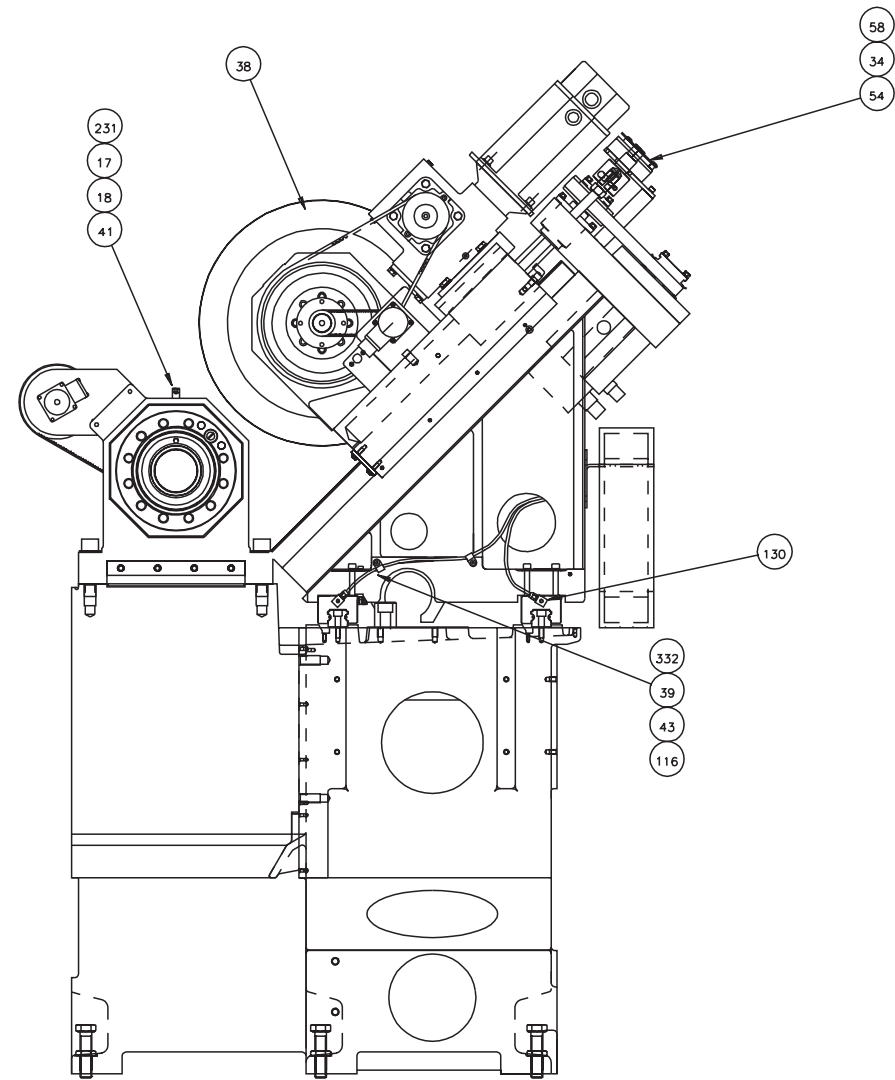
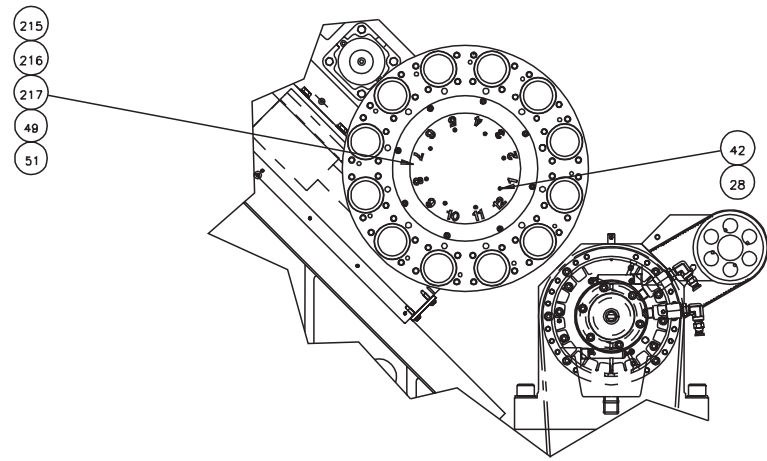


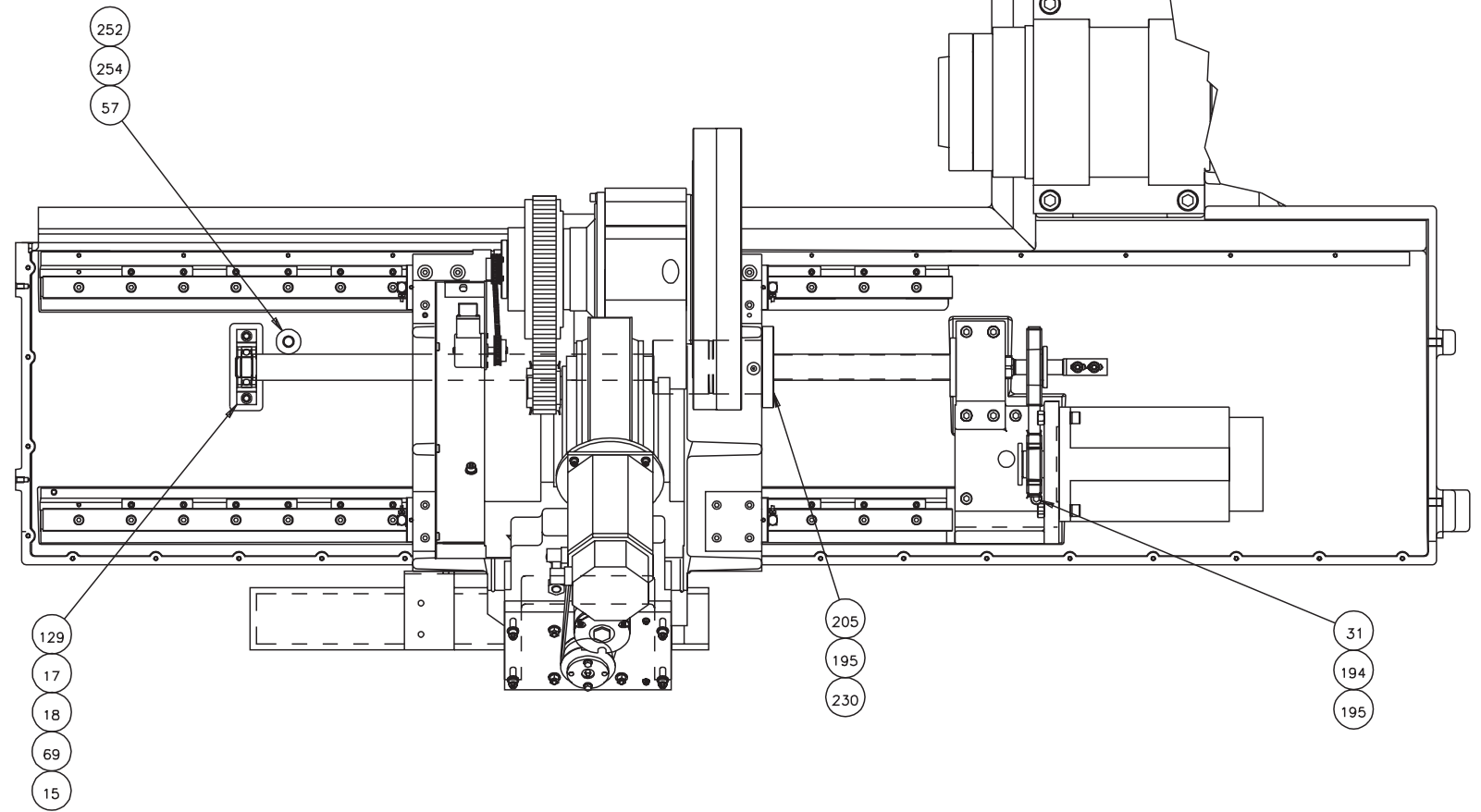
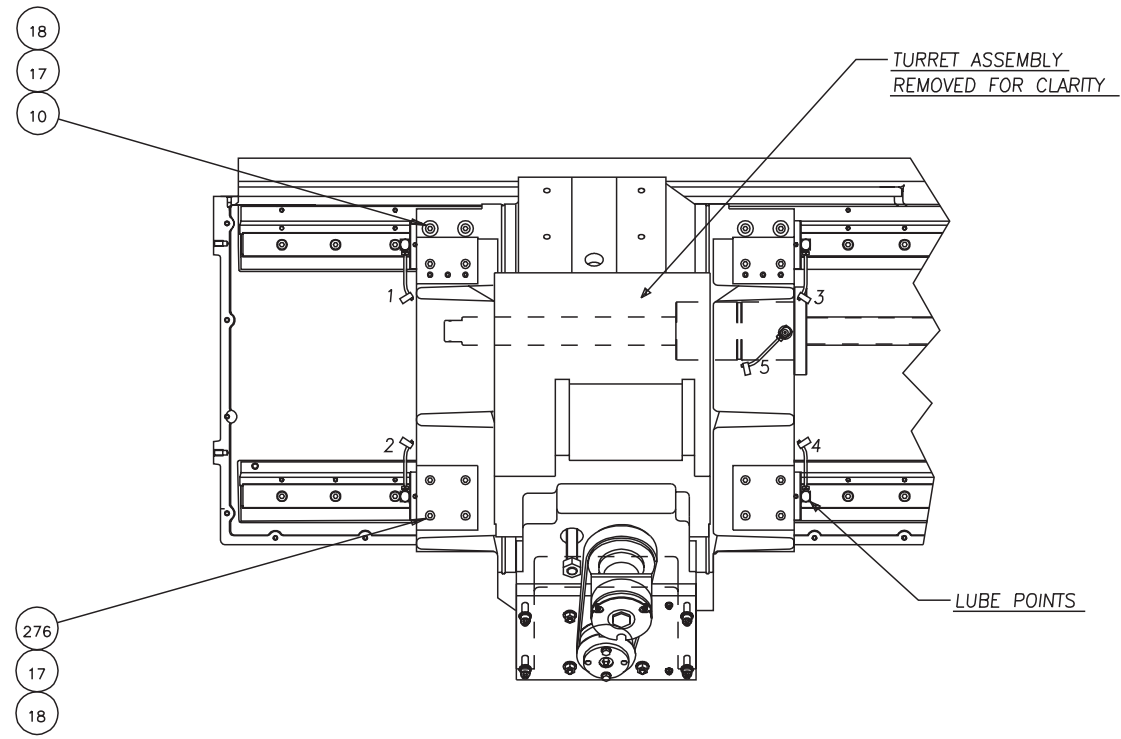
ITEM	PART NUMBER	QTY	DESCRIPTION
89	MW-0263610	4	M6 WASHER, STAR
88	MS-0303616	4	M6 SCREW, BHSS x 12mm
87	GE-0010884	2	SEALER
86	MS 0303515	2	SCREW, BTHD M5-.8x10
85	AH 0009910	8	TIE-RAPS (LARGE)
84	LCA00039906465	2	WEIGHT, PARTS CATCHER
83	LC-0010116-1465	1	GASKET, PARTS CATCHER
81	LCA-0002916-PCB	2	BASE, PARTS CATCHER
80	CK-0009188-20	2	FERRULES, 20 AWG
79	F3-0009977	2	LABEL, CABLE
78	NC-0010473-02	.083	ALPHA FIT 221 3/8 BLACK
77	LC-0002916-SP65	2	SPACER, PARTS CATCHER
76	LC-0010115-0565	1	COVER, CHUTE
75	LC 0002916C651	1	CHUTE, PARTS CATCHER
74	LCA00029160165	1	BASKET, PART
73	LCA0002916PC65	1	BOX, PARTS
70	LCA00029160265	1	ASSEMBLY, PARTS CATCHER D
69	CS-0010642-07	1	HANDLE, PULL
68	0300206	2	SCREW
67	MW-0183410	2	WASHER, LOCK
66	LC-0009623	2	CLIP, RETAINING
65	LC-0008122-03	1	LC/RELAT, MINI - 24VDC
64	NC 0010786	2	ELBOW, STREET 1/8 NPT
63	MW-0183410	2	WASHER, M4 LOCK
62	MW-0103410	2	WASHER, M4 FLAT
61	MS-0103420	2	SCREW, M4 SOC HD X 30MM
ITEM	PART NUMBER	QTY	DESCRIPTION

60	OR-0002730	2	O-RING
59	LC-0010824	2	HOUSING, SEAL
58	LC-0011198-04	2	MOUNT, SEAL
57	CN-0010884	.01	CLEANER
56	NC-0010884-01	.05	ADHESIVE, LOCTITE 222
54	AH-0007007-NF	2	1/4 DIA HOSE
53	HG-0007007	10	5/16 DIA HOSE
52	LT-0010884-S	1	PIPE SEALANT
51	CL-0007702-02	2	1/4 NPT X 5/16 DIA SWIVEL
50	CT-0011335	2	MUFFLER
49	VL-0007703-03	2	1/4 NPT X 1/4 DIA SWIVEL
48	MS-0103616	2	SCREW, M6 SOC HD X 12 MM
47	TL-0000414-B	1	NUT, 5/16 HEX
46	FR-0007702-04	1	CONNECTOR, STRAIGHT MALE
45	NC-0010884	1.3	LOCTITE 242
44	CS-0011452-01	2	BIMBA FLOW CONTROL
41	LC-0002917-0365	1	CYLINDER, PARTS CATCHER
40	LC-0003048-02	1	VALVE, MAC
39	LC-0002916-CB65	1	BRACKET, CYLINDER
38	LC-0002916-BS	2	SPACER, BUMPER
37	MD-0003182	1	NUT, 1/2-13 JAM
34	LC-0002916-MP65	1	BRACKET, PARTS CATCHER
33	MN-0283610	14	NUT, M6 FLANGE
32	MS-0103620	4	SCREW, M6 SHCS X 30
31	LC-0002916-3165	1	LIP, PARTS CATCHER
30	MS-0103618	8	SCREW, M6 SHCS X 20MM
29	MW 0184010	4	WASHER, LOCK M10
28	LC-0002916-SR65	2	ROD, SUPPORT
27	MS 0104018	4	SCREW, M10 SHCS X 20MM
26	FR 000770203	1	ELBOW, 1/8 NPT-1/4 PRESS
25	137-0008231-01	2	RETAINING RING
24	CS-0011198-09	2	SEAL, OIL
23	MS 0314018	4	SCREW, M10 FHS X 20MM
22	MW-0184210	4	WASHER, M12 LOCK
21	MW-0104210	5	WASHER, M12 FLAT
20	MS-0104219	4	SCREW, M12 SHCS X 25MM
19	MW-0193610	17	WASHER, M6 LOCK
18	MW-0103610	13	WASHER, M6 FLAT
17	MS-0103314	1	SCREW, M3 SHCS X 8MM
16	LC-0002916-BP65	1	BASE, PARTS CATCHER
15	OR-0002225	8	O-RING
14	156-0008231	8	RETAINING, RING
13	LC-0004140-04	4	BEARING, LINEAR
12	MS-0103317	2	SCREW, M3 SHCS X 16MM
11	HG-0010541	3	BUMPER
10	MS-0103617	1	SCREW, M6 SHCS X 16MM
9	CS-0010994	.05	GREASE
8	LC-0002916-BSH	1	BUSHING
7	LCA-0002916-BSH1	2	BUSHING
6	LCA-0002916-SP	1	PLATE, STOP
5	MS-0103621	2	SCREW, M6 SHCS X 35MM
4	LCA-0002916-EP	1	PLATE, END
3	LC-0002916-AR65	1	ROD, ADJUSTING
2	ST-0010884	.02	LOCTITE 262
1	LC-0002916-KRA	1	KNOB, ROD ADJUSTING
ITEM	PART NUMBER	QTY	DESCRIPTION

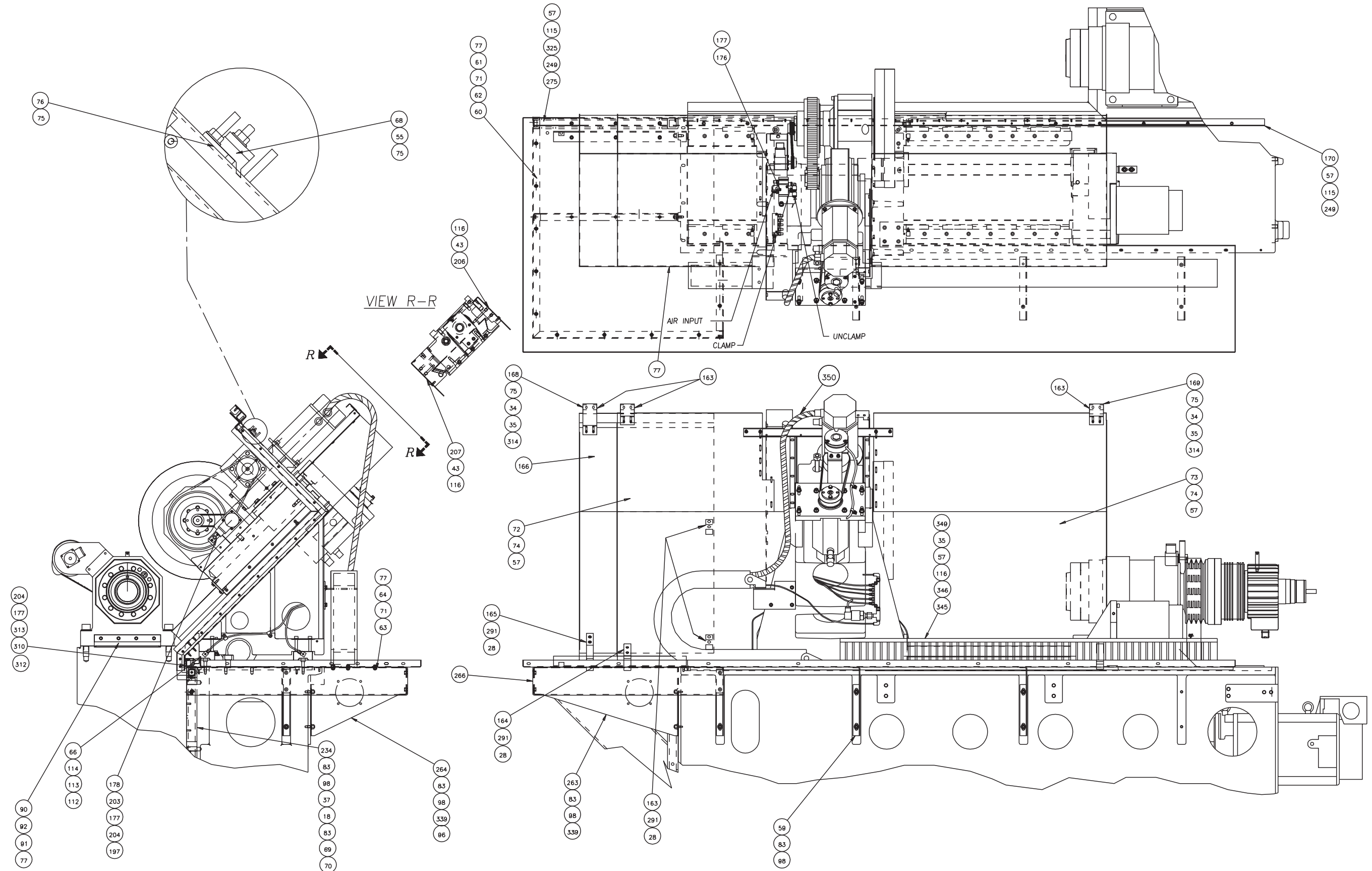


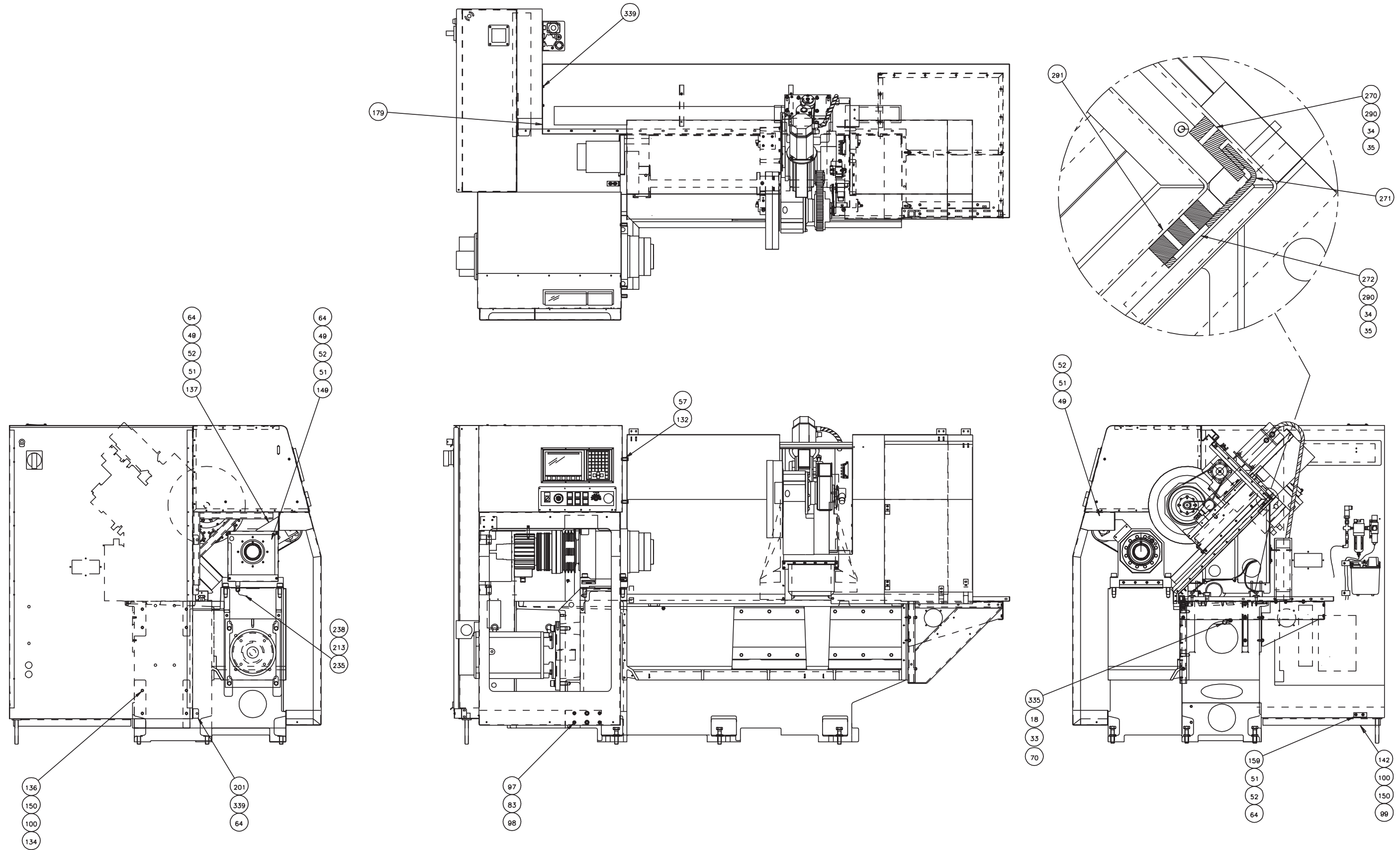
Pedestal Assembly



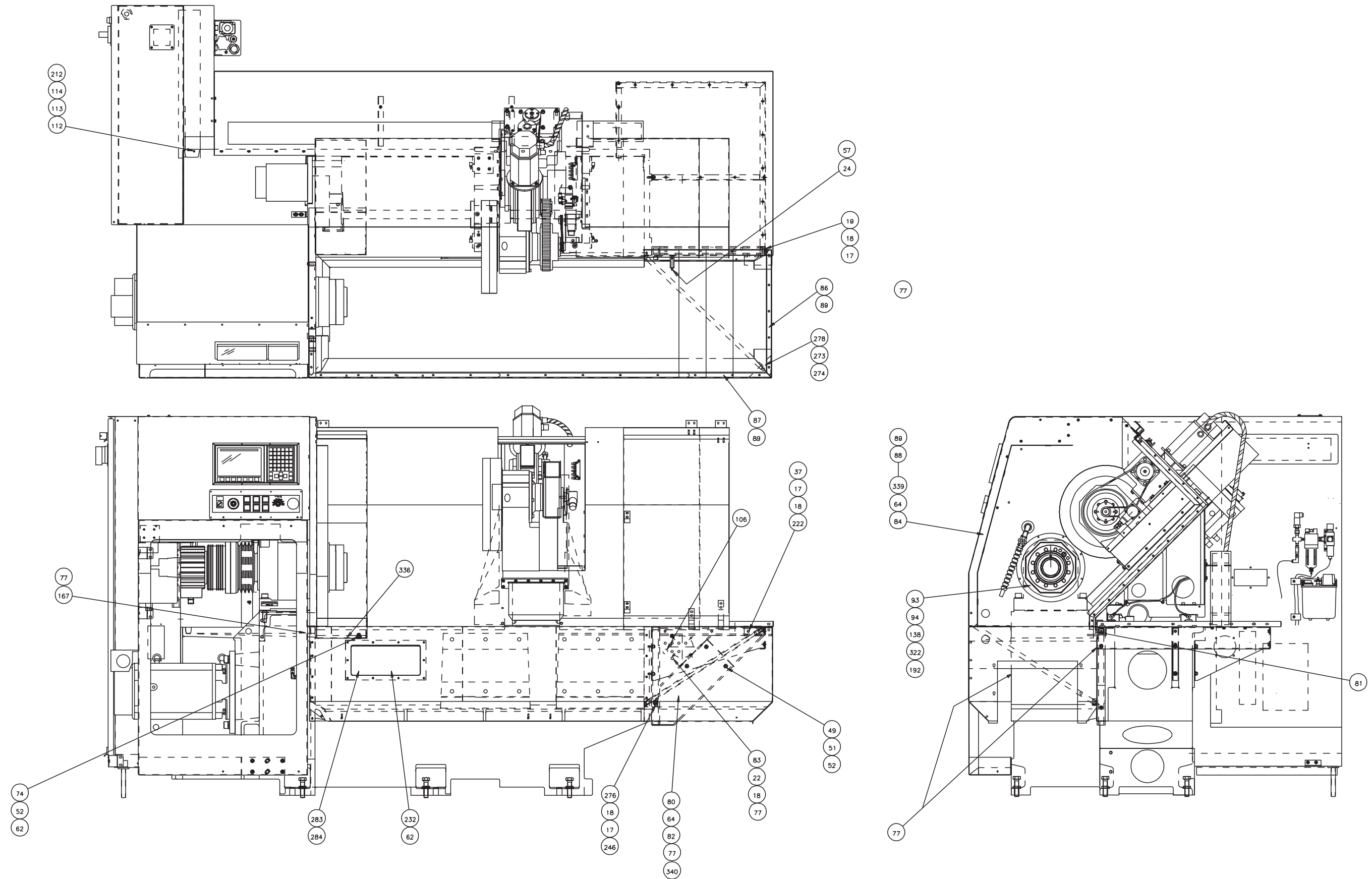


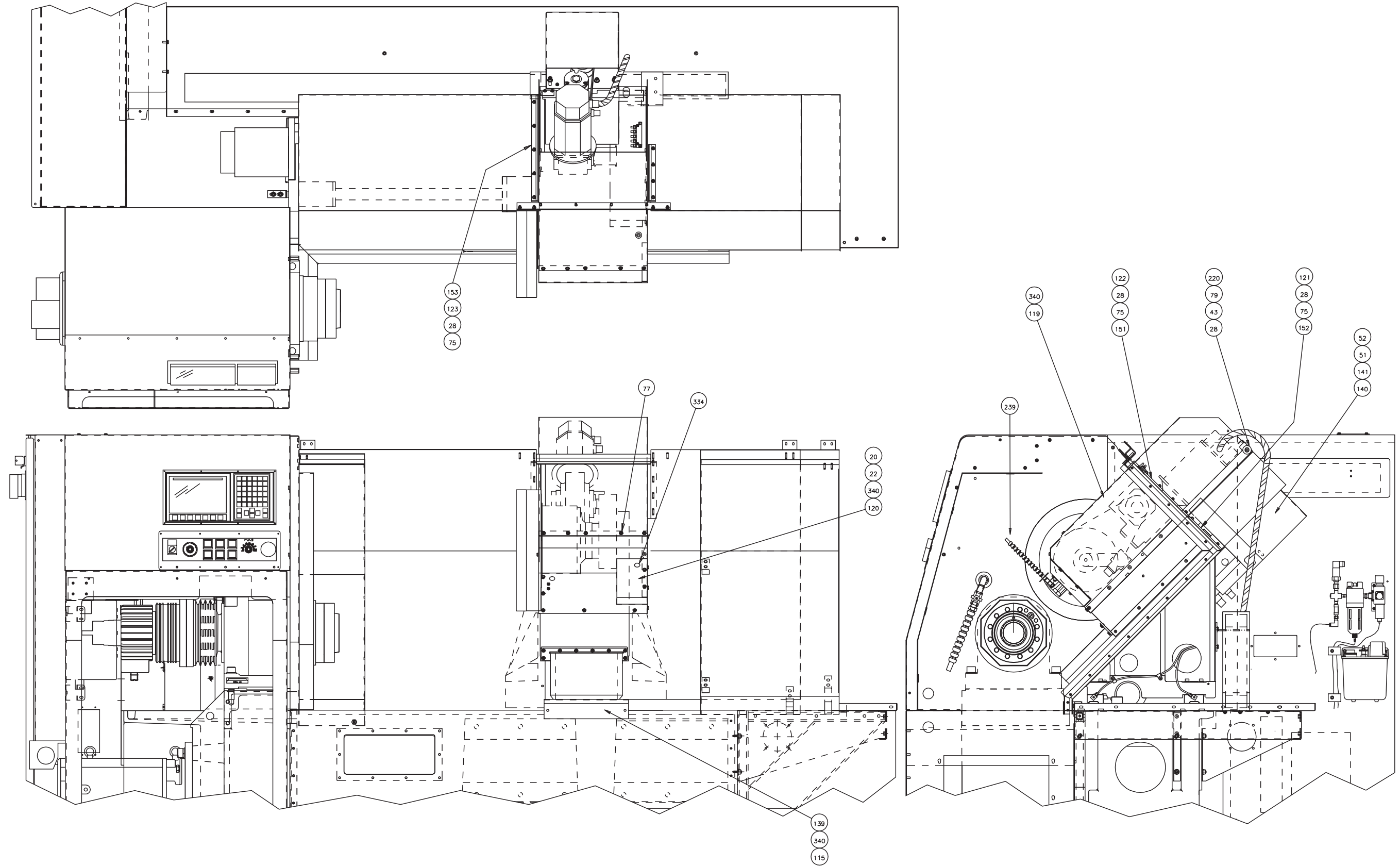
Pedestal Assembly



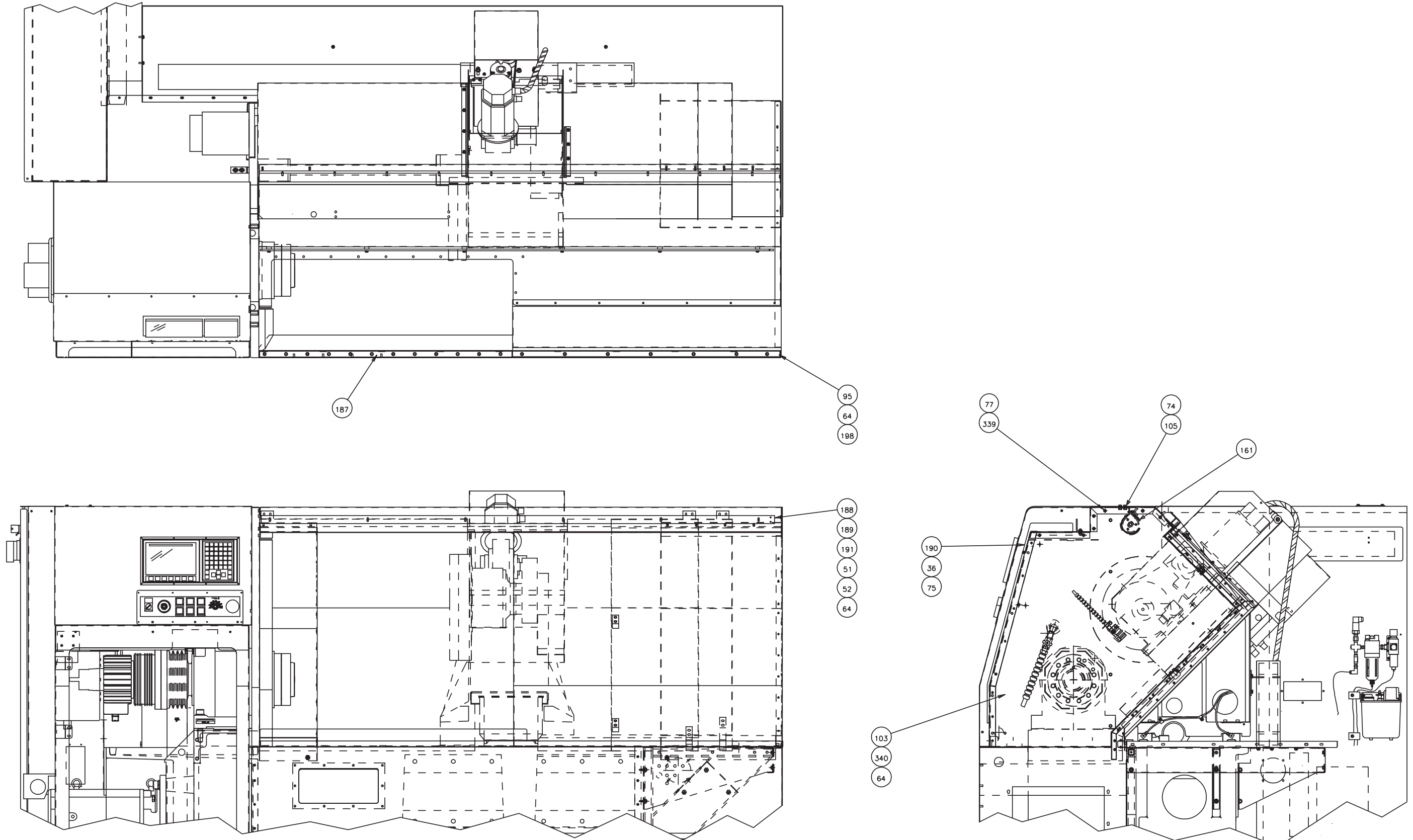


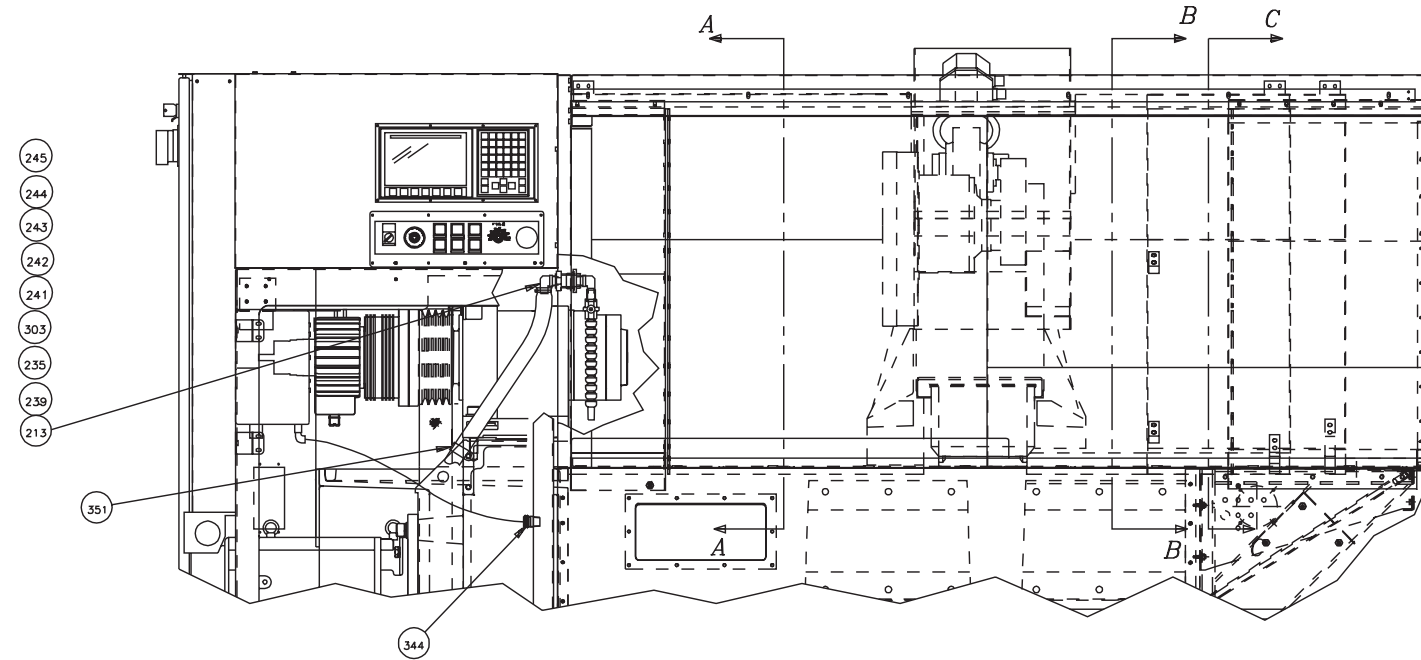
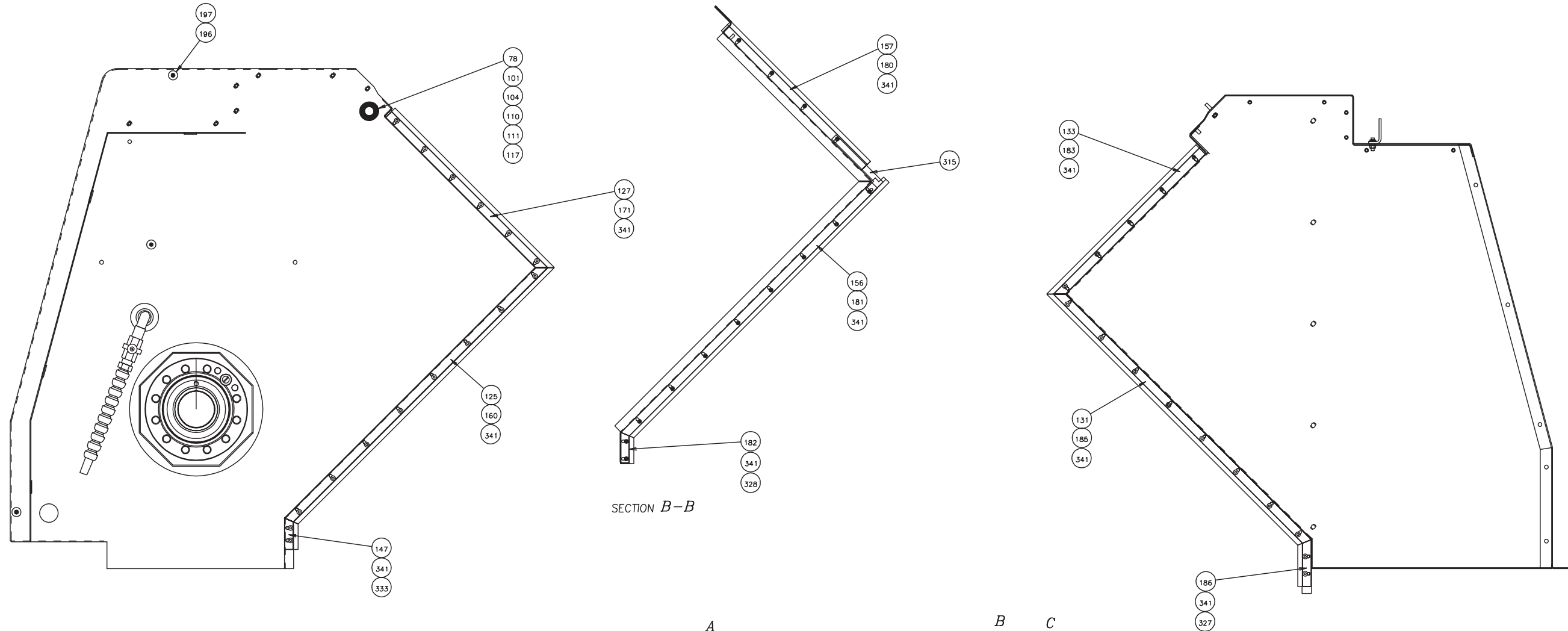
Pedestal Assembly



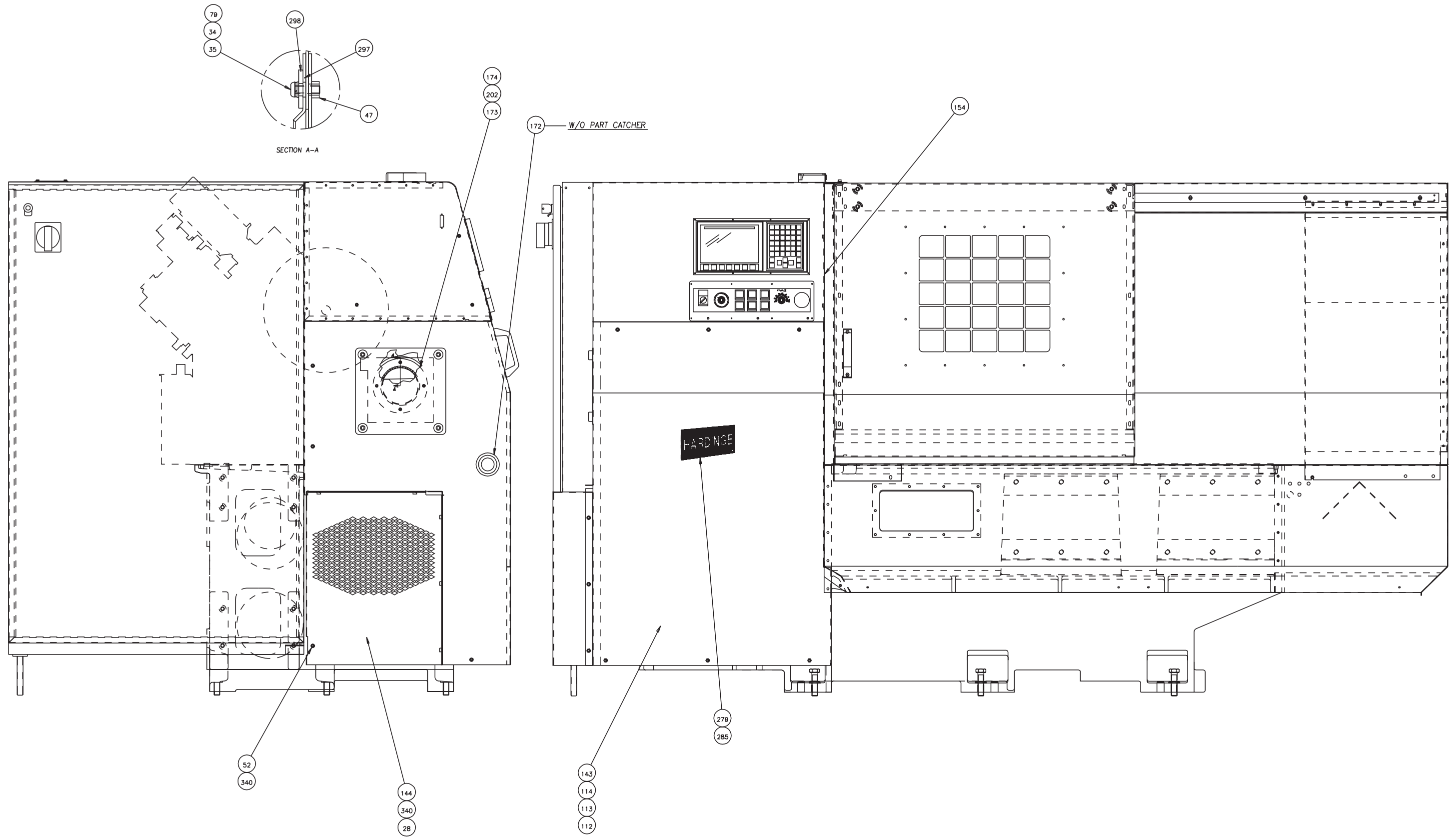


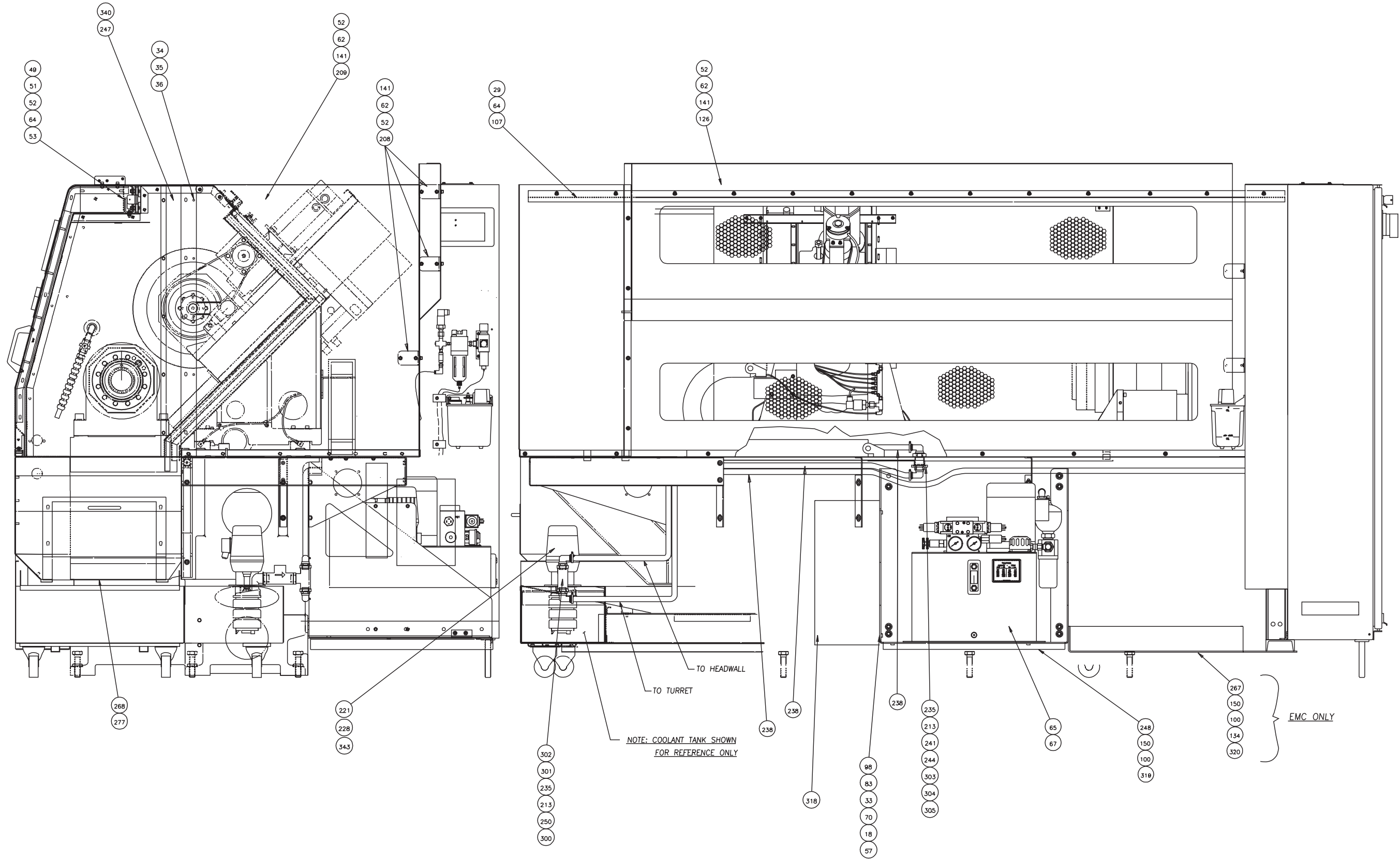
Pedestal Assembly



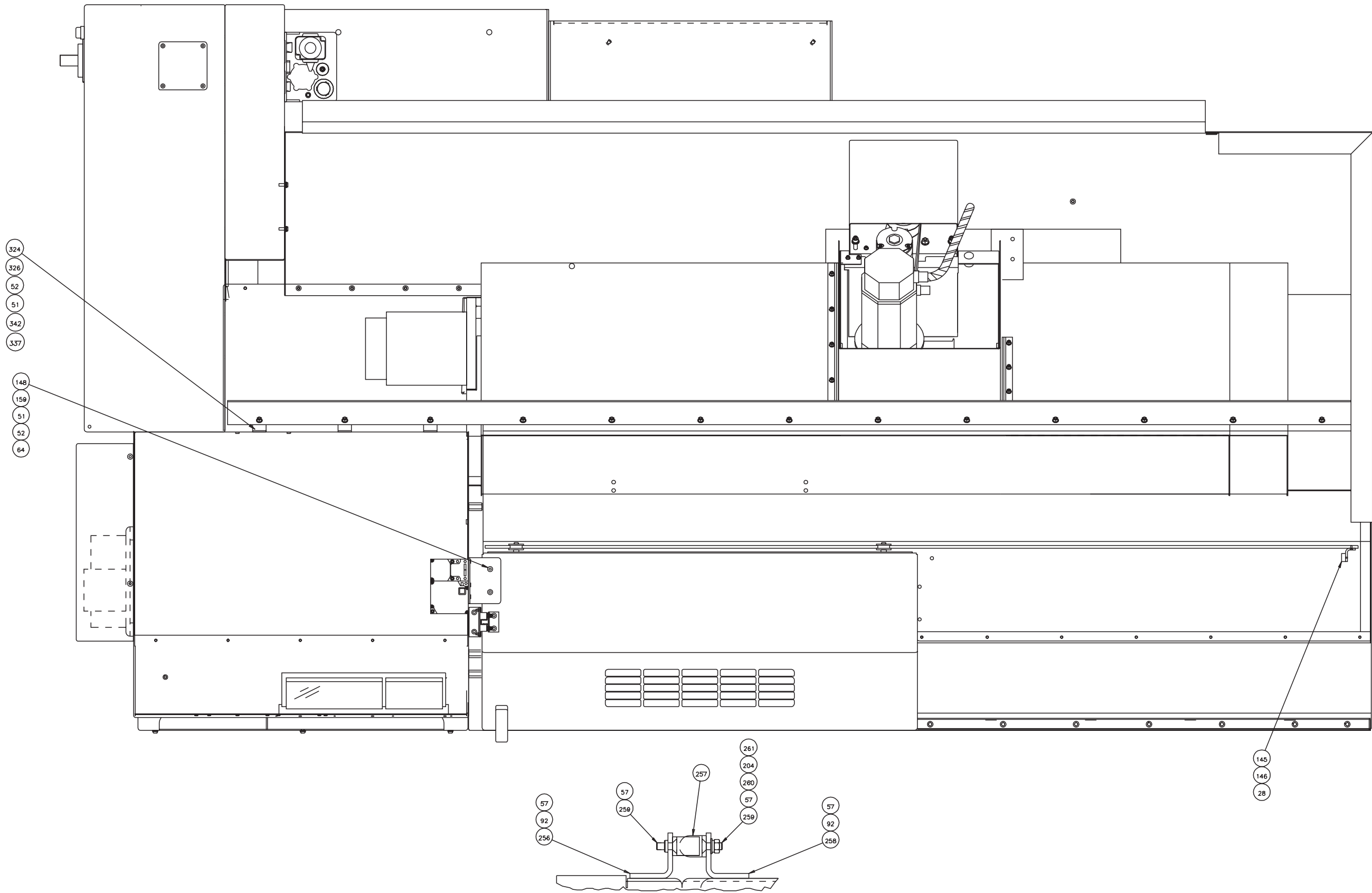


Pedestal Assembly





Pedestal Assembly



130	LC 000770301	4.00	ADAPTER, ELBOW
129	LC 001193265 2	1.00	SUPPORT BLOCK
127	LC 0008050HU65	1.00	WIPER, HEADWALL UPPER
126	LC 0001990RL65	1.00	REAR GUARD, LEFT
125	LC 0008050HL65	1.00	WIPER, HEADWALL LOWER
123	LC 0008050WL65	1.00	WIPER, WAY COVER-LEFT
122	LC 0008050WR65	1.00	WIPER, WAY COVER RIGHT
121	LC 0008050RL65	1.00	WIPER, WAY COVER LOW RT
120	LC 0010115T6 5	1.00	COVER, TURRET LC65
119	LC 001990106 5	1.00	SHIELD, TURRET
117	AH 0011508	1.00	NUT
116	MS 0303515	24.00	M5 SCREW, BUTT HD x 10mm
115	GK 0010884	0.33	ULTRA-BLUE
114	MW 0103610SS	11.00	M6 WASHER, FLAT-SS
113	MW 0193610SS	11.00	M6 WASHER, LOCK-SS
112	MS 0103616SS	11.00	M6 SS SCREW, SKHD x 12mm
111	50 0010226	1.00	SEALING WASHER
110	DB 00092079A	1.00	BODY
109	HGB001173601	1.00	SWITCH, PRESSURE-60PSI
108	SG 0007702A1 2	1.00	ELBOW, SWIVEL
107	LC 0001990BI65	1.00	BRACE, WAYCOVER SLIDE
106	CK 001033101	1.00	PLUG, DOT
105	CS 000891502	2.00	BRACKET (CS)
104	DB 00092079J	1.00	GROMMET
103	LC 001045365	1.00	COOLANT GUARD ASSEMBLY
102	LC 0010234C6 5	1.00	DISTRIBUTOR ASSY, CARRIAGE
101	DB 0009207 W	1.00	WASHER
100	MW 0194210	32.00	M12 WASHER, LOCK
99	MS 0104219	4.00	M12 SCREW, SKHD CP x 25mm
98	MS 0573819	18.00	M8 SCREW, SOC SET x 25mm
97	LC 00019901265	1.00	SUPPORT, LEFT END
96	MW 0263610	2.00	M6 WASHER, STAR
95	LC 00063240165	1.00	TRACK, LOWER DOOR
94	OR 0152160	1.00	O-RING, HEADWALL SEAL
93	LC 000034365	1.00	FLANGE, HEADWALL SEAL
92	MS 0313515	8.00	M5 SCREW, FLAT-SOC x 10mm
91	LCA00101161265	1.00	VITON, HEADSTOCK RELIEF
90	LC 00019905065	1.00	RETAINER, HEADSTOCK RELIEF
89	DV 0010884	0.30	ADHESIVE, EC-847
88	LC 00101160365	1.00	GASKET, LEFT SIDE
87	LC 00101160165	1.00	GASKET, FRONT DOOR
86	LC 00101160265	1.00	GASKET, RIGHT SIDE
85	LC 001193802	1.00	STANDOFF, HEADWALL/BASE
84	LC 0000221HW65	1.00	HEADWALL ASSEMBLY
83	MN 0283810	28.00	M8 NUT, FLANGE
82	MS 0553619	10.00	M6 SCREW, SOC SET x 25mm
81	LC 000410166 5	1.00	ANGLE, BRACE
80	LC 0000221SK65	1.00	SKIRT ASSEMBLY
79	MS 0303517	5.00	M5 SCREW, BUTT HD x 16mm
78	DB 00092079B	1.00	NUT
77	GE 0010884	1.96	SEALER, SILICONE
76	LC 0010115WF65	1.00	COVER, TOP FRONT WAY
75	MN 0283510	30.00	M5 NUT, FLANGE
74	MS 0153616	17.00	M6 SCREW, HEX HD x 12mm
73	LC 0010115WL65	1.00	COVER, WAY-LEFT
72	LC 0010115WR65	1.00	COVER, WAY-RIGHT
71	5P 0006431 B	28.00	WASHER, FLAT
70	MW 0183810	9.00	M8 LOCKWASHER
69	MS 0103822	4.00	M8 SCREW, SKHD CP x 40mm
68	LC 0008050WT	1.00	WIPER, WAY COVER TOP
67	LC 0000128GC E	1.00	STD. COOLER, ZN11160
66	LC 0001990AA65	1.00	BRACKET, ADJUSTMENT
65	LC 000013365	1.00	HYDRAULIC UNIT, ZN20005
ITEM	PART NUMBER	QUANTITY	DESCRIPTION

64	MN 0283610	83.00	M6 NUT, FLANGE
63	MS 0303617	8.00	M6 SCREW, BUTT HD x 16mm
62	MW 0183610	57.00	M6 WASHER, LOCK
61	MS 0303616	20.00	M6 SCREW, BUTT HD x 12mm
60	LC 00019900265	1.00	SUPPORT, CANOPY
59	LCA0001990	2.00	GUSSET, SUPPORT CANOPY
58	MS 0103520	3.00	M5 SCREW, SKHD CP x 30mm
57	NC 0010884	1.08	ADHESIVE, LOCTITE #242
56	LC 0001990BS65	1.00	BRACKET, Z-AXIS SOLID STOP
55	LC 0008050R2	1.00	RETAINER, TOP WIPER
54	LC 0010642	1.00	BRAKE, X-AXIS
53	LCA0001990M6 5	1.00	SPLASH SHIELD, DOOR
52	MW 0103610	66.00	M6 WASHER, FLAT
51	MW 0193610	44.00	M6 WASHER, LOCK
50	MS 0103621	2.00	M6 SCREW, SKHD CP x 35mm
49	MS 0103617	24.00	M6 SCREW, SKHD CP x 16mm
48	AO 0011259	1.00	ADAPTER
47	LC 000253365 6	1.00	NUT PLATE, COOLANT CATCHER
46	1270007702B0 2	1.00	RUN TEE, 1/8 NPT
45	FR 000770203	2.00	ELBOW, 1/8 NPT-1/4 TUBE
44	LC 00003346H T	1.00	BELT, HIGH TORQUE
43	MW 0263510	24.00	M5 WASHER, STAR
42	MS 0303514	10.00	M5 SCREW, BUTT HD x 8mm
41	MS 0103817	4.00	M8 SCREW, SKHD CP x 16mm
40	LC 000317765 S	1.00	PULLEY, SPINDLE MOTOR
39	CH 000962301	5.00	CLAMP, CABLE
38	LC 000673065	1.00	CARR/CROSS-SLIDE ASSEMBLY
37	MS 0103825	9.00	M8 SCREW, SKHD CP x 55mm
36	MS 0303516	13.00	M5 SCREW, BUTT HD x 12mm
35	MW 0103510	32.00	M5 WASHER, FLAT
34	MW 0193510	32.00	M5 WASHER, LOCK
33	MS 0303818	9.00	M8 SCREW, BUTT HD x 20mm
32	MS 0103821	34.00	M8 SCREW, SKHD CP x 35mm
31	LC 000750065	1.00	Z-AXIS DRIVE SUB-ASSY
30	CS 000463001	1.00	DOWEL, PIVOT
29	CS 0010994	0.80	GREASE
28	NC 001088401	0.97	ADHESIVE, LOCTITE #222
27	MS 0103518	32.00	M5 SCREW, SKHD CP x 20mm
26	LC 000648101	16.00	GIB, GUIDE RAIL
25	MC 0011976	1.00	BUMPER, BALL SCREW
24	LC 00119380165	1.00	STANDOFF, LABYRINTH/SKIRT
23	MS 0154618	6.00	M16 SCREW, HEX HD x 20mm
22	MS 0303815	4.00	M8 BH CP x 10mm
21	LC 000831665	1.00	LINEAR WAY, Z-AXIS
20	SB 0010884 S	0.18	SEALANT, HYDRAULIC
19	MS 0103818	3.00	M8 SCREW, SKHD CP x 20mm
18	MW 0103810	42.00	M8 WASHER, FLAT
17	MW 0193810	30.00	M8 WASHER, LOCK
16	0151428	4.00	1/2-13 SCREW, HEX x 1-3/4"
15	VS 0010440	0.06	GREASE, ANTI-SIEZE
14	LC 001168265 S	1.00	BUSHING, MOTOR PULLEY
13	LC 0003346 S	1.00	BELT, SPINDLE MOTOR
12	LC 0003177HT65	1.00	PULLEY, HIGH TORQUE
11	MS 0553618	3.00	SCREW, SOC SET M6
10	MS 0103819	4.00	M8 SCREW, SKHD CP x 25mm
9	MS-0105028	4.00	M20 SCREW, SHCS x 70mm
8	MW 0185010	4.00	WASHER, LOCK M20
7	LC 000199165SM	1.00	MOTOR PLATE-SPINDLE
6	MW 0105010 H	8.00	M20 WASHER, FLAT-HARDENED
5	MS 0105030	4.00	M20 SCREW, SKHD CP x 80mm
4	MN 0145010	6.00	M20 NUT, HEX-LOW
3	MS 0155030	6.00	M20 SCREW, HEX HD x 80mm
2	LC 000000265	1.00	HEADSTOCK ASSY.
1	LC 000026265	1.00	BASE, LOW-COST
ITEM	PART NUMBER	QUANTITY	DESCRIPTION

Pedestal Assembly

281	LC 0000343HT65	1.00	CLAMP, FLANGE
280	MS 0103820	8.00	M8 SCREW, SHCS x 30mm
279	ST 000025608	1.00	NAMEPLATE (PLAIN)
278	LC 0004101D6 5	1.00	BALL JOINT
277	CG 0010642	1.00	HANDLE, KIT
276	MS 0103826	13.00	M8 SCREW, SKHD CP x 60mm
275	LC 0011841R6 5	1.00	GUIDE RAIL, WAYCOVERS RIGHT
274	SN 0004626 B	2.00	1/2" NUT
273	5P 0006433 B	2.00	1/2" WASHER, LOCK
272	LC 0001990SA65	1.00	SPACER, ADJUSTMENT INTERMEDIATE WAY COVER
271	LC 0001990BA65	1.00	BRACKET, ADJUSTMENT INTERMEDIATE WAY COVER
270	LC 0001990GA65	1.00	GUIDE, ADJUSTMENT INTERMEDIATE WAY COVER
268	LC 00029900765	1.00	DOOR, SKIRT
267	LC 00019909465	1.00	BRACKET, TRANSFORMER - 65
266	LC 00019906565	1.00	CHANNEL, CANOPY SUPPORT
265	LC 00019906534	1.00	BRACKET, CABLE CARRIER
264	LC 00019906365	1.00	GUSSET, RIGHT CANOPY SUPPORT
263	LC 00019906465	1.00	GUSSET, REAR CANOPY SUPPORT
261	MW 0183410	2.00	M4 WASHER, LOCK
260	MN 0113410	2.00	M4 NUT, HEX
259	MS 0313416	4.00	M4 SCREW, FLAT HEAD SOC x 12mm
258	LC 000199083	1.00	BRACKET, DETENT, DOOR
257	LC 0010509	1.00	DETENT ASSEMBLY
256	LC 000199082	1.00	BRACKET, DOOR, HEADWALL
254	LC 001197665	1.00	STOP, Z-AXIS, SOLID
253	LC 001038965	1.00	SPACER, PULLEY LC-65
252	MS 0104624	1.00	M16 SCREW, SKHD CP x 50mm
250	LC 000770305	2.00	REDUCER, 3/4NPTM-1/2NPTF
249	MS 0103620	11.00	M6 SCREW, SKHD x 30mm
248	LC 0001990HF65	1.00	FRAME, WELD-HYD
247	LC 0001990EF65	1.00	CAP, END
246	LC 0004101A6 5	1.00	BRACE, ASSEMBLY
245	LC 0010110	1.00	1/2" STREET ELBOW
244	OR 0001618	3.00	O-RING
243	CN 0011092	1.00	NIPPLE, CLOSE
242	CN 0010059	1.00	BALL VALVE
241	HG 001125907	3.00	COUPLING
239	CCA0007011C2	2.00	NOZZLE
238	LC 000700702	26.20	TUBING, 3/4 ID
236	LC 0010115L165	1.00	COVER, LESS TAILSTOCK
235	LC 0008384	6.00	ELBOW, 1/2NPT - 3/4 BARB
234	LC 000410156 5	1.00	BRACKET, SKIRT
233	LC 0011623Z6 5	1.00	CABLE CARRIER Z-AXIS
232	MN 0113610	10.00	M6 NUT, FLANGE
231	CL 000918801	1.00	TERM, 5/16 RING 3-4 AWG YEL
230	MS 0104019	6.00	M10 SCREW, SKHD CP x 25mm
228	8640009188	4.00	TERM, #8 RING
222	MN 0113813	4.00	M8 NUT
221	LCA0003325	1.00	PUMP, COOLANT
220	AH 0009623	1.00	CLAMP, CABLE
217	OR 0144147	1.00	O-RING
216	LC 001041965	1.00	PLATE, NAME BACK
215	LCA0010419	1.00	NAME PLATE, TURRET
213	CC 0006966	10.00	CLAMP, HOSE
212	71 0009188 F	2.00	TERM, 1/4 RING 3-4 AWG YEL
210	SB 001048101	2.00	SPACER
209	LC 0001990RG65	1.00	REAR GUARD, RIGHT
208	LCA0001990GM1	3.00	MOUNT, REAR GUARD
207	LC 0010115R6 5	1.00	COVER, RIGHT SIDE
206	LC 0010115L6 5	1.00	COVER, LEFT SIDE
205	CS 000943104	1.00	O-RING
204	MW 0103410	23.00	M4 WASHER, FLAT
203	LC 0001990BS	1.00	BACKET, SWITCH
202	LC 00101160865	1.00	GASKET, ACCESS COVER
ITEM	PART NUMBER	QUANTITY	DESCRIPTION

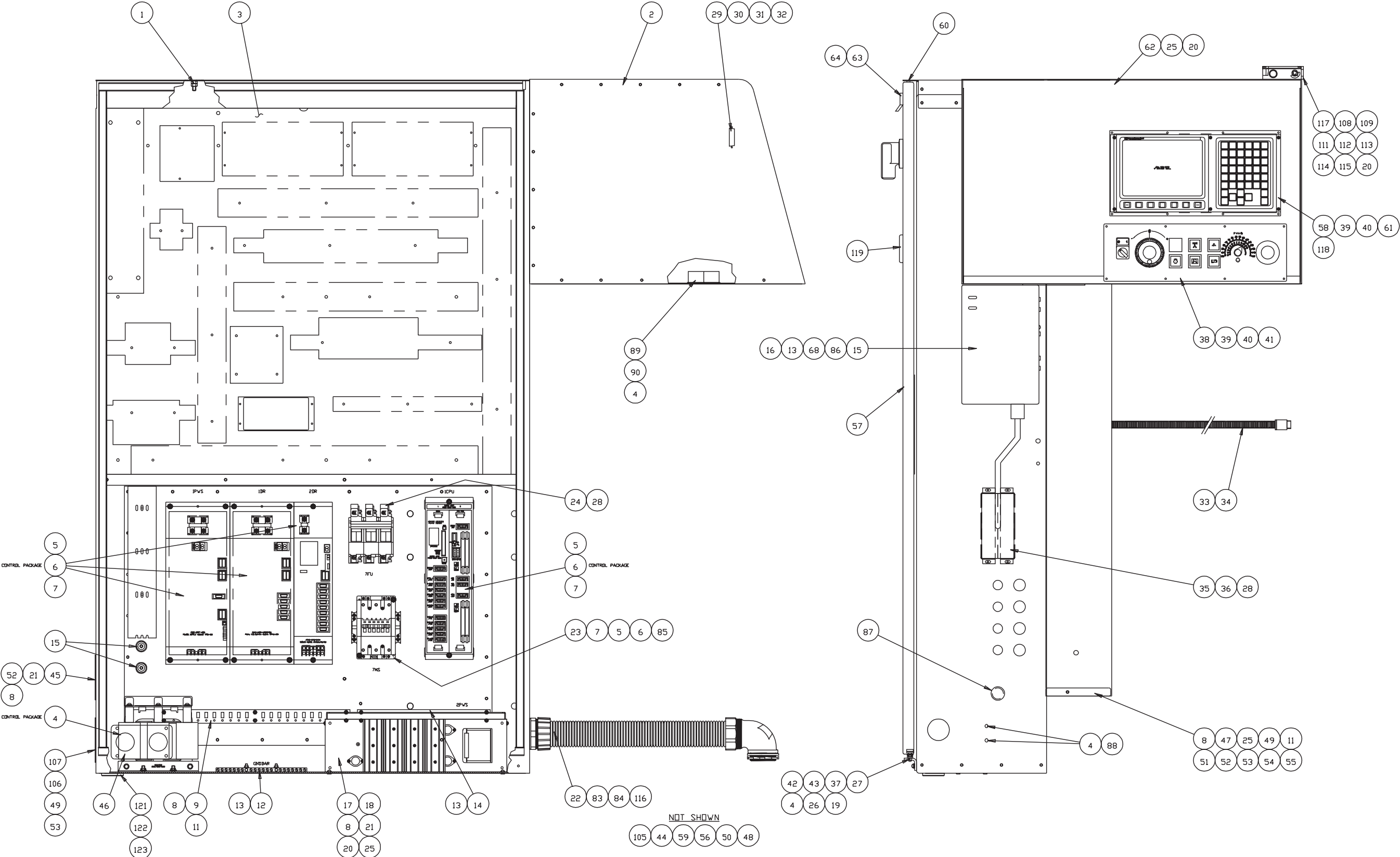
201	HG 0010598	3.00	HANGER, COVER
198	MS 0313617	19.00	M6 SCREW, FHSS x 16mm
197	MS 0303416	4.00	M4 SCREW, BHSS x 12mm
196	LC 0011454	2.00	STOP, LC FRONT DOOR
195	MW 0194010	13.00	M10 WASHER, LOCK
194	MS 0104021	7.00	M10 SCREW, SKHD CP x 35mm
192	MC 0010994	0.01	GREASE, GE G661
191	MS 0303620	6.00	M6 SCREW, BHSS x 30mm
190	LC 00019904865	1.00	SHIELD, CANOPY COOLANT
189	LC 0009424	6.00	BUSHING, LCL DOOR TRACK
188	LC 000632465	1.00	TRACK, LC UPPER DOOR
187	LC 00019900665	1.00	SPACER, LOWER DOOR TRACK
186	LC 0008050R165	1.00	RETAINER, BOTTOM LABYRINTH WIPER
185	LC 0008050R465	1.00	RETAINER, LOWER LABYRINTH WIPER
184	LC 0010115ZB65	1.00	COVER, Z AXIS BELT
183	LC 0008050R365	1.00	RETAINER, UPPER LABYRINTH WIPER
182	LC 0008050R265	1.00	RETAINER, INTERMEDIATE BOTTOM WIPER
181	LC 0008050R565	1.00	RETAINER, INTERMEDIATE MIDDLE WIPER
180	LC 0008050R665	1.00	RETAINER, INTERMEDIATE TOP WIPER
179	RF 0011499	0.25	STRIP, NYLATRON WEAR
178	CL 001022402	1.00	SWITCH, PROXIMITY
177	MW 0193410	23.00	M4 WASHER, LOCK
176	MS 0103419	2.00	M4 SCREW, SHCS x 25mm
175	LC 0011932 Z	1.00	STOP, Z AXIS
174	LM 000947102	4.00	SCREW, THUMB
173	LC 00101150865	1.00	COVER, ACCESS
172	HG 000770301	1.00	PLUG, CAP
171	LC 0008050R965	1.00	RETAINER, HEADWALL UPPER WIPER
170	LC 0011841L6 5	1.00	GUIDE RAIL, WAY COVERS
169	LC 0011841S65	2.00	SUPPORT, WAY RIGHT AND LEFT
168	LC 0011841SI65	1.00	SUPPORT, WAY INTERMEDIATE
167	CK 0010331	2.00	1-1/2" CAP PLUG
166	LC 0010115W65	1.00	COVER, WAY INTERMEDIATE
165	LC 0011841GI65	1.00	GUIDE, WAY COVER INTERMEDIATE
164	LC 0011841GW65	2.00	GUIDE, WAY COVER LEFT AND RIGHT
163	LC 0011841GS65	5.00	GUIDE, SUPPORT WAY COVERS
161	CL 000891501	1.00	WORKLIGHT
160	LC 0008050R865	1.00	RETAINER, HEADWALL LOWER WIPER
159	MS 0103618	2.00	M6 SCREW, SKHD CP x 20mm
157	LC 0008050I165	1.00	WIPER, INTERMEDIATE TOP
156	LC 0008050IM65	1.00	WIPER, INTERMEDIATE MIDDLE
154	LC 001119803	4.00	SEAL, TRIM-SIDE MOUNT
153	LC 0008050LR65	1.00	RETAINER, LEFT WIPER
152	LC 0008050R65	1.00	RETAINER, RIGHT LOWER WIPER
151	LC 0008050R065	1.00	RETAINER, RIGHT-UPPER
150	MW 0104210 H	28.00	M12 WASHER, FLAT-HARDENED
149	LC 00025330651	1.00	COOLANT CATCHER ASSEMBLY
148	LC 000199021	1.00	BRACKET, DOOR SWITCH
147	LC 0008050R765	1.00	RETAINER, HEADWALL BOTTOM WIPER
146	HG 0010541	5.00	BUMPER
145	LC 000199016	1.00	BRACKET, BUMPER
144	LC 000031765 1	1.00	SPINDLE FAN HOUSING
143	LC 00101150165	1.00	COVER, LEFT END
142	LCC0004158PCS	1.00	SUPPORT, POWER CASE
141	MS 0103616	28.00	M6 SCREW, SKHD CP x 12mm
140	LC 0010115BX65	1.00	COVER, X-AXIS BELT
139	LC 0010115W6 5	1.00	COVER, FRONT WAY
138	MS 0303513	6.00	M5 SCREW, BUTT HD x 6mm
137	LC 00025330365	1.00	BRACKET, COOLANT CATCHER
136	LC 000327965	1.00	POWERCASE ASSEMBLY
134	MS 0104220	16.00	M12 SCREW, SKHD CP x 30mm
133	LC 0008050LU65	1.00	WIPER, UPPER LABYRINTH
132	LC 0011938	3.00	STANDOFF, HEADWALL CONE
131	LC 0008050LL65	1.00	WIPER, LOWER LABYRINTH
ITEM	PART NUMBER	QUANTITY	DESCRIPTION

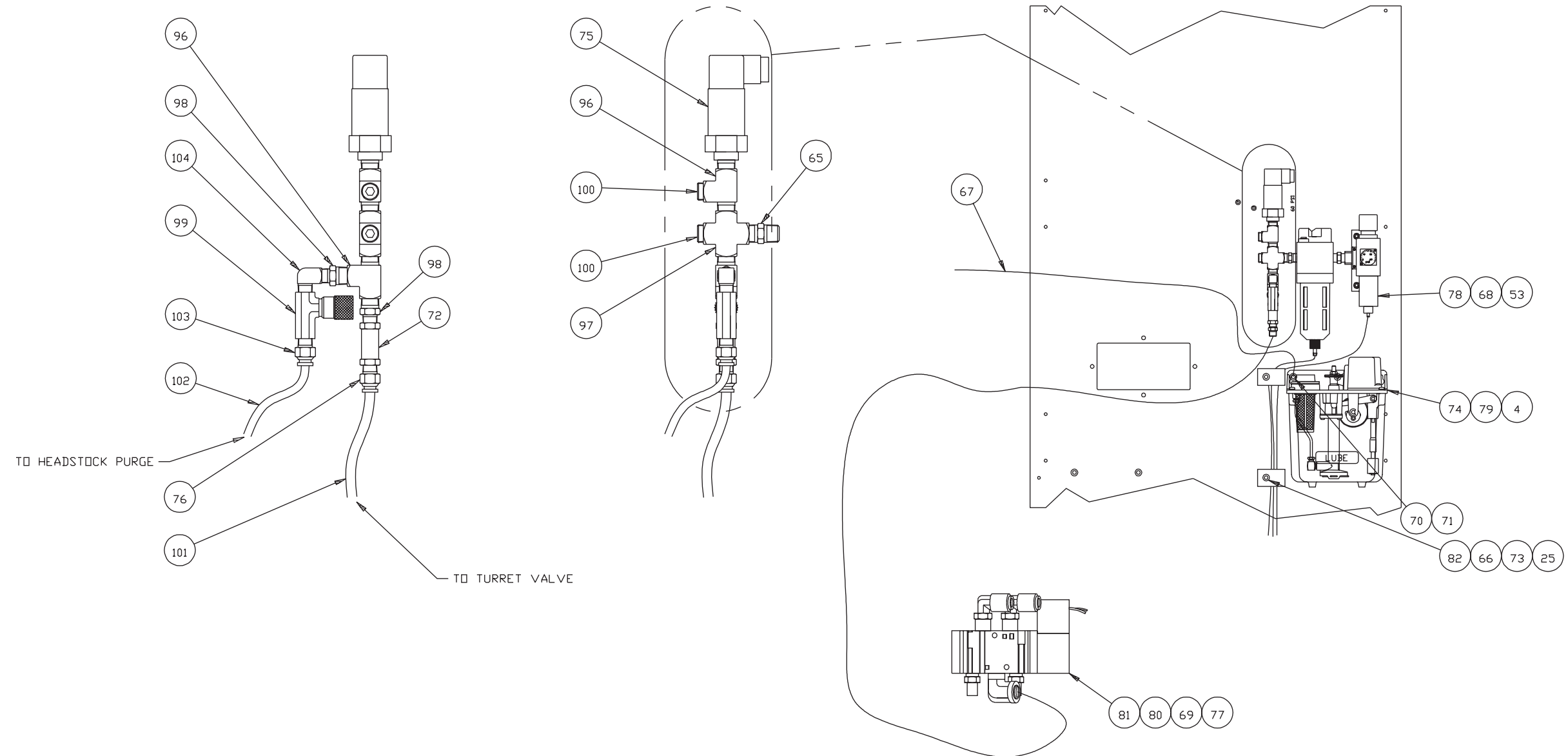
351	RH 0009623	1.00	CLAMP
350	AH 0011623	11.00	PLACTIC COIL WRAP
349	MW 0183510	3.00	M5 WASHER, LOCK
348	CK 0008104	25.00	WIRE TIE
347	HG 0007007	16.00	TUBING, 5/16
346	HG 001082108	4.50	COVER, FOR DUCT
345	HG 0010821	4.50	DUCT
344	KH 0008384	3.00	CONN., HOSE BARB 3/4 I.D.
343	LC 0009207	1.00	CORD GRIP, PLASTIC
342	MS 0103619	8.00	M6 SCREW, SKHD CP X 16MM
341	MS 0303415SA	45.00	M4 SCREW, BHSS x 10mm W/WASHERS
340	MS 0303616SA	41.00	M6 SCREW, BUTT HD x 12mm W/WASHERS
339	MS 0303617SA	24.00	M6 SCREW, BUTT HD x 16mm W/WASHERS
338	CL 000943110	1.00	O-RING
337	LC 0001990SP65	3.00	SPACER, BRACKET
336	LC 0001990CS65	1.00	CHIPSIELD
335	SBA0009623	4.00	CLAMP, CABLE
334	SB 000770307	1.00	PLUG, CAP
333	LC 0008050HB65	1.00	WIPER, HEADWALL BOTTOM
332	CH 0009623 2	1.00	CABLE CLAMP
330	MW 0194410	4.00	M14 WASHER, LOCK SQUARE
329	MS 0104422	4.00	M14 SCREW, SKHD CP X 40 mm
328	LC 0008050IB65	1.00	WIPER,INTER. BOTTOM
327	LC 0008050LB65	1.00	WIPER, LABYRINTH
326	LC 0001990WB65	3.00	WASHER,BRACKET
325	LC 00119380265	3.00	STANDOFF, GUIDERAIL
324	LC 0001990SS65	3.00	SUPPORT, WAYCOVER SLIDE
323	LC 000700713	0.19	PVC TUBING, CLEAR FLOW
322	SB 0004869	6.00	WASHER, SEAL
321	LC 00025330655	1.00	STANDOFF, ANTI-ROTATION
320	MN 0344210	8.00	M12 NUT, x 1.75
319	MS 0104222	8.00	M12 SCREW, SKHD CP x 40mm
318	CLB000299053	1.00	COOLER, HYD
316	HG-0007007-02	7.00	TUBING, 1/4" OD
315	LC 0008050WG65	1.00	WIPER INTERMEDIATE
314	MS 0103516	6.00	M5 SCREW, SKHD CP x 12mm
313	MS 0103414	19.00	M4 SCREW, SKHD CP X 8MM
312	LC 0001990AG65	1.00	ANGLE,CHIP GUARD
310	LC 0001990WP65	1.00	WIPER,CHIP
303	UB 0000330	2.00	NUT
302	CS 0003504	2.00	NIPPLE, CLOSE 3/4 NPT
301	CS 0011452	1.00	VALVE, CHECK 3/4 NPT
300	CS 0007702	1.00	TEE, 3/4 NPT
298	HL 0000505	4.00	WASHER
297	LC 00025330657	1.00	GUARD,BIG BORE COLLET CLOSER
291	MS 0313516	12.00	M5 SRCEW, FHSOCX12MM
290	MS 0103517	8.00	M5 SCREW, SOCKET HEAD CAP
285	CN 0007707	4.00	NUT, FASTON
284	LC 00101161465	1.00	GASKET PARTS CATCHER
283	LC 00101150765	1.00	COVER FRONT SKIRT
282	VL 001038904	2.00	SLEEVE, CLAMPING
ITEM	PART NUMBER	QUANTITY	DESCRIPTION

NOT SHOWN

348

Power Case Assembly, GE Fanuc 21-T Control, CE Mark

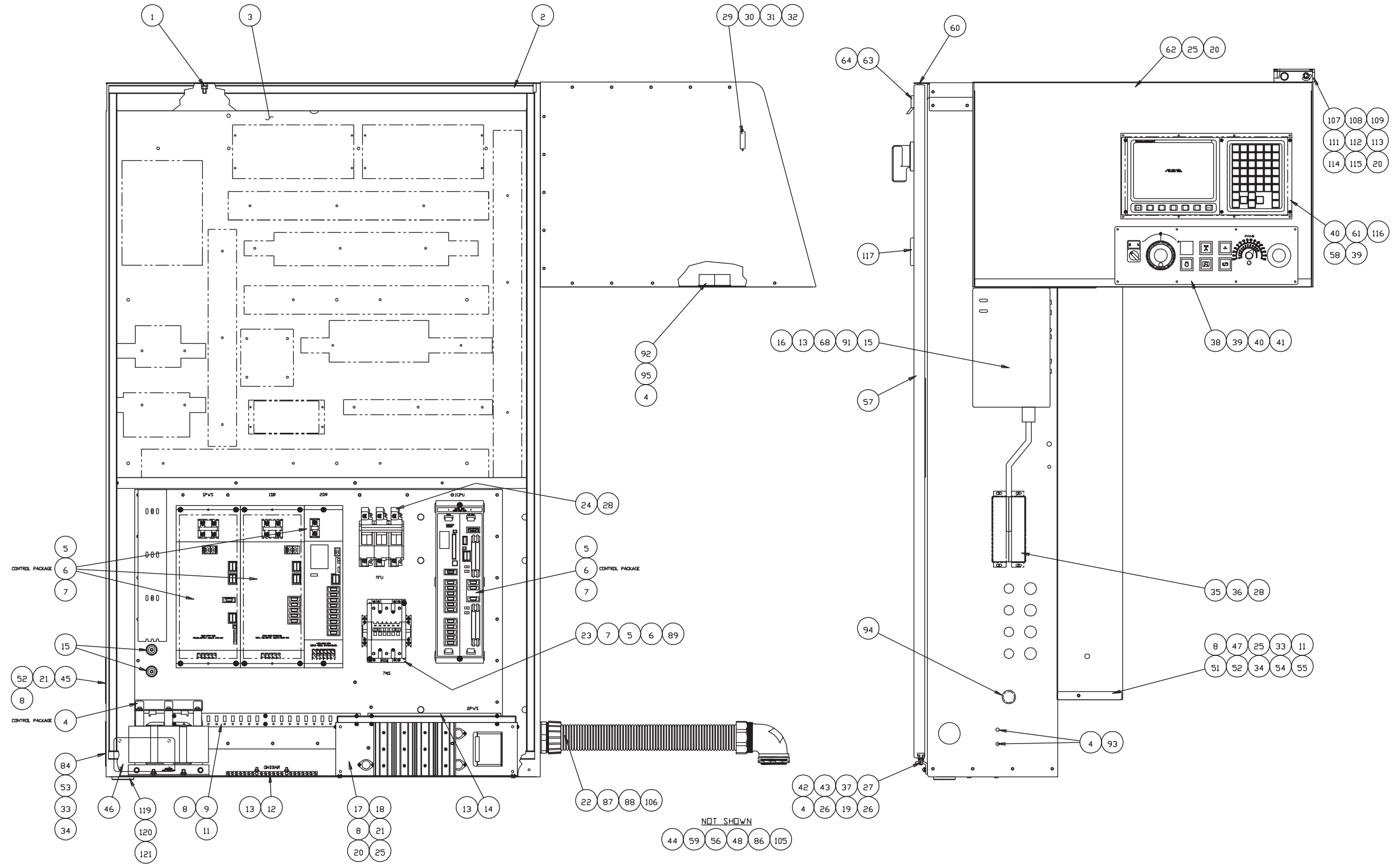


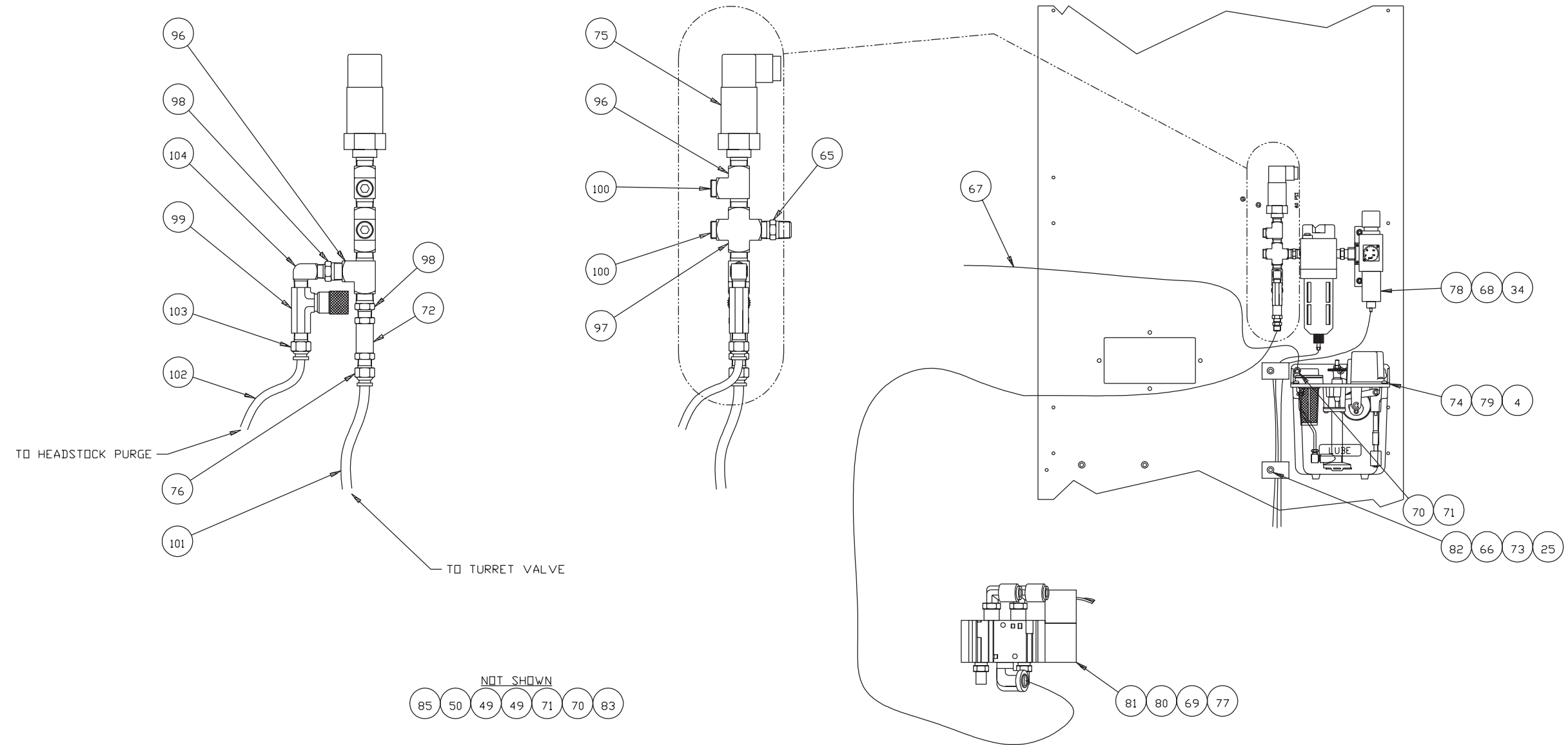


Power Case Assembly, GE Fanuc 21-T Control, CE Mark

ITEM	PART NUMBER	QUANTITY	DESCRIPTION
1	MN 0113813	2.000	NUT, M8 X 1.25 BRASS
2	LC 000415865EP	1.000	POWERCASE ENCLDSURE ASSY - E
3	LC 000327965PE	1.000	ASSEMBLY, LC65CE, UPPER PANE
4	MN 0283610	15.000	NUT, M6X1.0, SER HEX FLNG
5	MW 0103610	14.000	WASHER, FLAT M6 STEEL
6	MS 0303517	14.000	SCREW, BUTTDN HD. M5X.8X16MM
7	MW 0183610	14.000	M6 REG. LOCKWASHER
8	MW 0263410	28.000	WASHER, EXT. STAR M4
9	GK 001082104	1.000	SUPPDRT, CABLE BAR
11	MS 0303417	14.000	SCREW, BT. HD. M4X.7,X 16MM
12	SB 0011888	1.000	KIT, GROUND BAR
13	MN 0283510	6.000	NUT, M5X0.8, SER HEX FLNG
14	SG 001082104	1.000	SUPPDRT, CABLE BAR
15	SG 0009532	3.000	GROMMET
16	LC 00025330651	1.000	ASSEMBLY,COOLANT CATCHER
17	CL 001021564	1.000	COVER, POWER SUPPLY - CEMARK
18	CL 000877601	1.000	POWER SUPPLY 24VDC 12AMP
19	MW 0193610	2.000	WASHER, LOCK DIN-7980 M6X1.0
20	MW 0263510	11.000	WASHER, STAR EXT. M5 STEEL
21	MS 0303414	8.000	BUTTON HEAD SCREW
22	SN 001125916	1.000	CONNECTOR, 2' 90 DEG(METAL)
23	18 001001603	1.000	CONTACTOR, 110AMP 3PH 24DCCO
24	SG 001001704	1.000	HOLDER, FUSE 3P 125A
25	MS 0303515	15.000	SCREW, BT. HD. M5X.8,X 10MM
26	MS 0303617	2.000	SCREW, BT. HD. M6X1.0 X 16MM
27	SG 000415811	1.000	SPACER, NYLON (P.C. DOOR)
28	LC 0032316	9.000	SCREW, THR'D CUT-8-32 X 1/2
29	CN 0012042 B	1.000	BLOCKS, LATCHING
30	0170004	2.000	SCREW, BIND. HD-SS 4-40X1/4
31	VL 000962301	2.000	WASHER, EXT TOOTH-#4 STAINLE
32	VL 000962303	1.000	CLAMP, CABLE 0.078"
33	LC 001022901	1.000	FITTING, ST PG11 PLASTIC
34	LC 0010229	3.350	CONDUIT, PLASTIC PG11
35	HG 000415813	2.000	BRACKET, FDAM
36	HG 0011350	2.000	FILTER, FDAM
37	SG 000415810	1.000	BRACKET, DOOR HINGE MTG.
38	LC 000327965MC	1.000	ASSEMBLY, LC-65-CE, ESTOP
39	MS 03033155S	16.000	SCREW, B HD. M3X.5X10MM SSTE
40	MW 01033105S	16.000	WASHER, FLAT REGULAR M3X.5 S
41	LC 001011610	1.000	GASKET, E-STOP PANEL
42	SGA000415809	1.000	PLATE, DOOR HINGE (BOTTOM)
43	SG 000415808	1.000	PLATE, DOOR HINGE (TOP)
44	F3 000997701	18.000	LABEL, ID
45	LC 0010115LBC	1.000	COVER, LESS BATTERY
46	LC 0010115TCC	1.000	COVER, TRANSFORMER CONDUIT
47	LC 000415865FM	1.000	MDUNT, POWERCASE FAN
48	LC 0009610CEFK	1.000	FUSE KIT, LC65CE
49	MW 0103510	11.000	WASHER, FLAT M5 X .8 STEEL
50	LC 0003279PCCE	1.000	WIRE PKG, CASE LC65CE
51	CN 001134901	2.000	FAN
52	MN 0113410	12.000	NUT, HEXAGON, 934 PLATED
53	MW 0183510	13.000	WASHER, LOCK REG. M5 X .8 SC
54	LC 0011350	1.000	FILTER, PLENUM FAN
55	CN 0011349FG	2.000	GUARD FAN
56	LC 000301165PC	1.000	CABLE PKG, POWERCASE LC65
57	LC 000378065EM	1.000	POWERCASE DOOR - EMC
58	SG 001011603	4.160	GASKET, EMI
59	LC 00030116MCE	1.000	CABLE PKG MISC LC65CE
60	SG 000179912	1.000	SPACER, PC & I/O CASE DOOR
61	18 001188604	1.000	KEY SHEET - CE
62	SBA0006966	4.000	CLAMP
63	VL 001173801	2.000	DOOR PULL

ITEM	PART NUMBER	QUANTITY	DESCRIPTION
64	VL 0011738	14.000	LATCH, DOOR, VISE ACTION
65	AD 0007710	1.000	HEX NIPPLES
66	CF 0009623	2.000	CLAMPS CABLE
67	SG 0007007 T	7.000	TUBING, 5/32 OD
68	MS 0103518	4.000	SCREW, SDC. HD. CAP.M5X.8X20
69	CL 000770202	1.000	ELBOW, 90 DEG MALE (PARKER)
70	HG 0008384	1.000	ADAPTER
71	SG 0007702A8	1.000	ELBOW,MALE SWIV 1/4OD X 1/8N
72	SBA001145201	1.000	VALVE CHECK
73	MS 0303519	2.000	SCREW,BUTTON HD. M5X.8X25MM
74	LCA000332501	1.000	PUMP, LUBE
75	HGB0011736	1.000	PRESSURE SWITCH
76	HG 0007702	1.000	CONNECTOR, MALE 1/8 STRAIGHT
77	SG 0007702A9	2.000	ELBOW,MALE SWIV 1/4OD X 1/4N
78	LC 0010779 A	1.000	FILTER/REG. ASSEM. - MAIN AI
79	MS 0553619	3.000	SCREW, SDC.SET CUP M6X1.0X25
80	CT 0011335	2.000	MUFFLER
81	LC 000304802	1.000	VALVE, DIRECTIONAL-5 WAY-2 P
82	LC 000700701	3.000	TUBING, FLEXIBLE
83	CL 000770209	1.000	FITTING, ST. 2" NONMETALLIC
84	CL 001022904	1.500	CONDUIT, 2" POLYUUFF
85	LC 001129802	1.000	SUPPRESSOR
86	CLA000365002	1.000	SWITCH, ROLLER
87	CK 001033101	1.000	CAP PLUG 7/8
88	MS 0303614	2.000	SCREW, BUTTON HD M6X1.0X8MM
89	GK 0011350	2.000	FDAM
90	GK 0004158CLAM	2.000	SHELL, WIRE
96	CL 001078607	2.000	TEE, STREET (PARKER)
97	SB 000191401	1.000	CROSS BRASS
98	VL 0003504	2.000	NIPPLE, PIPE
99	VL 0011735	1.000	VALVE, NEEDLE
100	S 0001914	2.000	PLUG, PIPE
101	HG 0007007	15.000	TUBING - 5/16 O.D.
102	AH 0007007NF	9.000	TUBING, 1/4 O.D.
103	FR 000770204	1.000	CONNECTOR ,STRAIGHT MALE
104	CT 000770901	1.000	ELBOW
105	LC 0003011CHSC	1.000	CABLES, COLLET HYDRAULIC
106	MS 0303516	6.000	SCREW,BUT.HD.M5X.8X12MM
107	LCA0010115LB	1.000	COVER
108	LCA000199020	1.000	SPACER, DOOR SWITCH
109	MS 0303518	3.000	SCREW, BT. HD. M5X.8,X 20MM
111	DB 0009207 W	1.000	WASHER CONNECTOR
112	DB 00092079B	1.000	NUT CONNECTOR COMPRESS
113	DB 00092079A	1.000	BODY CONNECTOR
114	DB 00092079E	1.000	GROMMET
115	NC 0011298	1.000	RECTIFIER (SILICONE)
116	2000010226	1.000	GASKET
117	LC 0010224	1.000	SWITCH, LCL FRONT DOOR
118	LC 001011609	1.000	GASKET, LCL CRT
119	CL 0010646	1.000	METER,RUN TIME
120	LD 0003883	1.000	FUSE LAYOUT, LC-65
121	LC 0009455	1.000	FOOT, POWERCASE
122	MN 0115010	1.000	NUT, 934 REGULAR M20 X 2.5
123	MW 0195010	1.000	WASHER, LOCK SQ. M20

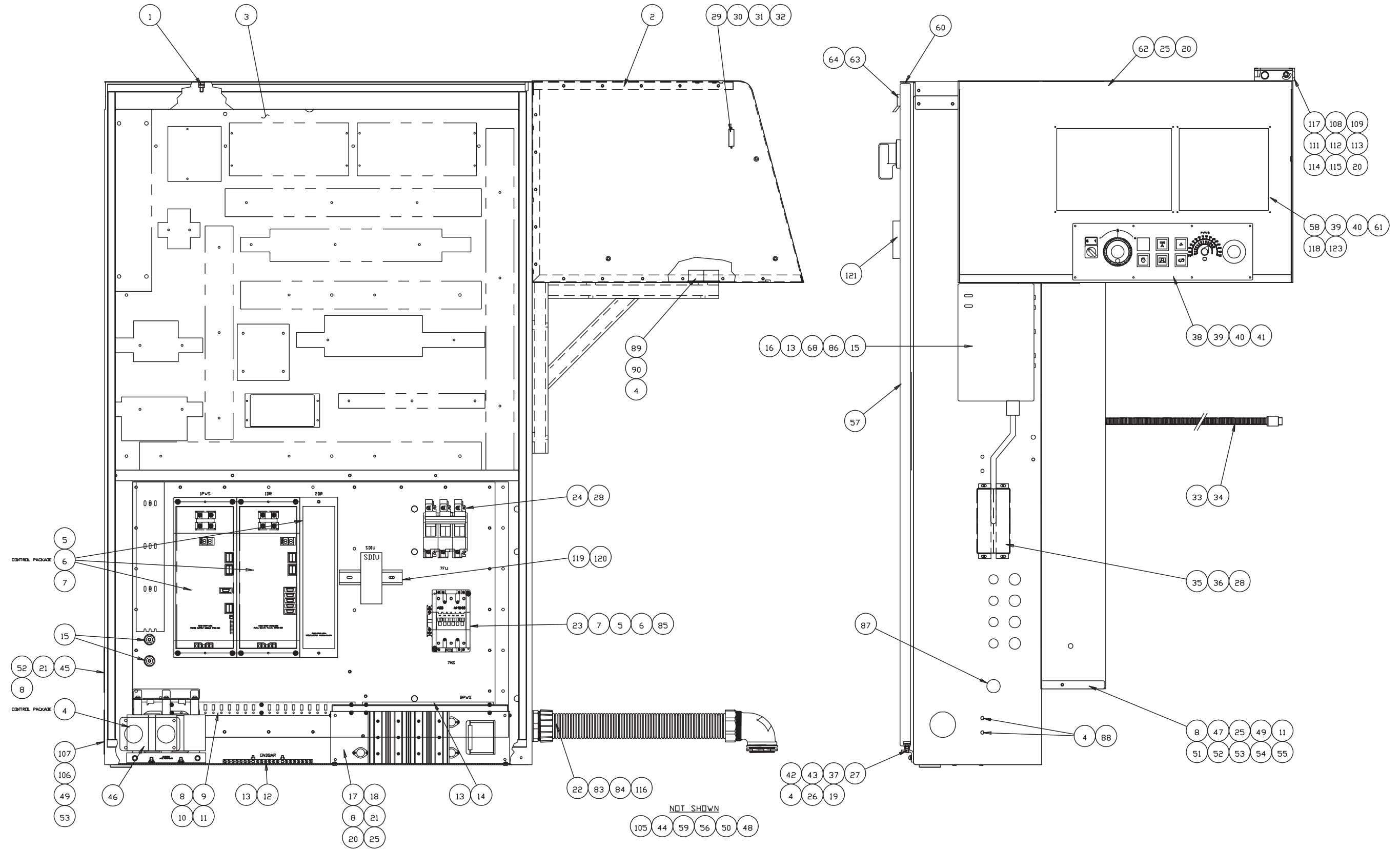


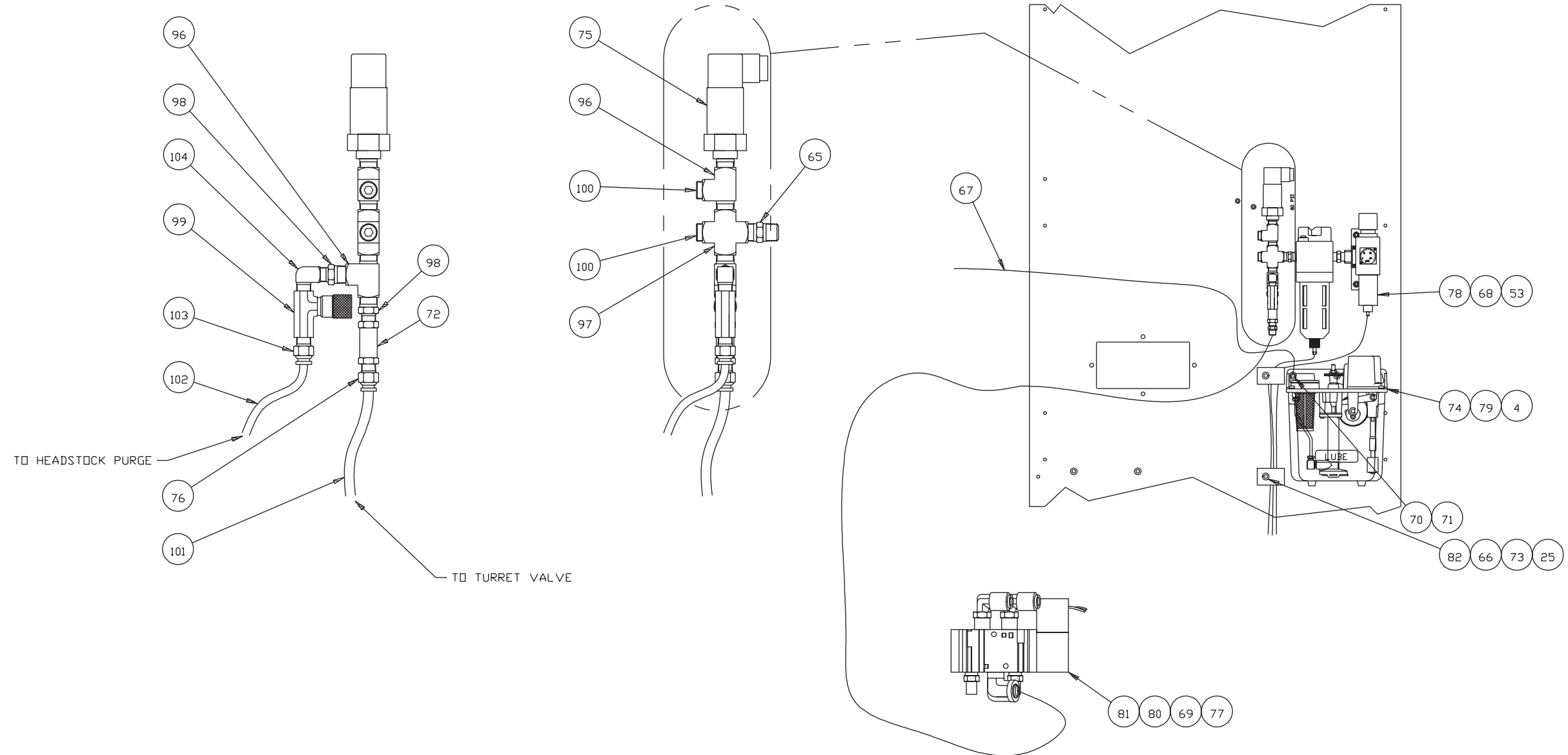


ITEM	PART NUMBER	QUANTITY	DESCRIPTION
1	MN 0113B13	2.000	NUT, M8 X 1.25 BRASS
2	LC 000415B65PC	1.000	POWERCASE ENCLDSURE ASSY - D
3	LC 000327965PD	1.000	LC65 UPPER PANEL ASSY - DDM
4	MN 02B3610	15.000	NUT, M6X1.0, SER HEX FLNG
5	MW 0103610	14.000	WASHER, FLAT M6 STEEL
6	MS 0303517	14.000	SCREW, BUTTIN HD. MSX.8X16MM
7	MW 0183610	14.000	M6 REG. LOCKWASHER
8	MW 0263410	28.000	WASHER, EXT. STAR M4
9	GK 0010B2104	1.000	SUPPORT, CABLE BAR
11	MS 0303417	14.000	SCREW, BT. HD. M4X.7X 16MM
12	SB 0011888	1.000	KIT, GROUND BAR
13	MN 02B3510	6.000	NUT, M5X0.8, SER HEX FLNG
14	SG 0010B2104	1.000	SUPPORT, CABLE BAR
15	SG 0009532	3.000	GROMMET
16	LC 0002533065I	1.000	ASSEMBLY,COOLANT CATCHER
17	CL 001021564	1.000	COVER, POWER SUPPLY - CEMARK
18	CL 000877601	1.000	POWER SUPPLY 24VDC 12AMP
19	MW 0193610	2.000	WASHER, LOCK DIN-7980 M6X1.0
20	MW 0263510	11.000	WASHER, STAR EXT. M5 STEEL
21	MS 0303414	8.000	BUTTON HEAD SCREW
22	SN 001125916	1.000	CONNECTOR, 2' 90 DEG(METAL)
23	18 001001603	1.000	CONTACTOR, 110AMP 3PH 24DCCD
24	SG 001001704	1.000	HOLDER, FUSE 3P 125A
25	MS 0303515	15.000	SCREW, BT. HD. MSX.8X 10MM
26	MS 0303617	4.000	SCREW, BT. HD. M6X1.0 X 16MM
27	SG 000415B11	1.000	SPACER, NYLON (P.C. DDDR)
28	LC 0032316	9.000	SCREW, THR'D CUT-8-32 X 1/2
29	CN 0012042 B	1.000	BLOCKS, LATCHING
30	0170004	2.000	SCREW, BIND. HD-SS 4-40X1/4
31	VL 000362301	2.000	WASHER, EXT TOOTH-#4 STAINLE
32	VL 000962303	1.000	CLAMP, CABLE 0.078"
33	MW 0103510	11.000	WASHER, FLAT M5 X .8 STEEL
34	MW 0183510	13.000	WASHER, LOCK REG. M5 X .8 SC
35	HG 000415B13	2.000	BRACKET, FOAM
36	HG 0011350	2.000	FILTER, FOAM
37	SG 000415B10	1.000	BRACKET, DOOR HINGE MTG.
38	LC 000327965MD	1.000	ASSEMBLY, LC65, E-STOP
39	MS 0303315SS	16.000	SCREW, B HD. M3X.5X10MM SSTE
40	MW 0103310SS	16.000	WASHER, FLAT REGULAR M3X.5 S
41	LC 001011610	1.000	GASKET, E-STOP PANEL
42	SGA000415B09	1.000	PLATE, DOOR HINGE (BOTTOM)
43	SG 000415B08	1.000	PLATE, DOOR HINGE (TOP)
44	F3 000997701	18.000	LABEL, ID
45	LC 0010115LBC	1.000	COVER, LESS BATTERY
46	LC 0010115LTCC	1.000	COVER,LESS TRANSFORMER CONDU
47	LC 000415B65FM	1.000	MDUNT, POWERCASE FAN
48	LC 0009610CEFK	1.000	FUSE KIT, LC65CE
49	LC 0010462	2.000	BRAKE, X AXIS
50	HGB001173601	1.000	PRESSURE SWITCH ASSEMBLY
51	CN 001134901	2.000	FAN
52	MN 0113410	12.000	NUT, HEXAGON, 934 PLATED
53	MS 0303516	6.000	SCREW,BUT.HD.M5X.8X12MM
54	LC 0011350	1.000	FILTER, PLENUM FAN
55	CN 0011349FG	2.000	GUARD FAN
56	LC 000301165PC	1.000	CABLE PKG, POWERCASE LC65
57	LC 000378065	1.000	POWERCASE DOOR - DDM
58	SG 001011603	4.160	GASKET, EMI
59	LC 00030116MDM	1.000	CABLE PKG, MISC. LC65DM
60	SG 000179912	1.000	SPACER, PC & 1/D CASE DOOR
61	18 001188604	1.000	KEY SHEET - CE
62	SBA0006966	4.000	CLAMP
63	VL 001173801	2.000	DOOR PULL
64	VL 0011738	2.000	LATCH, DOOR, VISE ACTION

ITEM	PART NUMBER	QUANTITY	DESCRIPTION
65	AD 0007710	1.000	HEX NIPPLES
66	CF 0009623	2.000	CLAMPS CABLE
67	SG 0007007 T	7.000	TUBING, 5/32 OD
68	MS 0103518	4.000	SCREW, SOC. HD. CAP.M5X.8X20
69	CL 000770202	1.000	ELBDW, 90 DEG MALE (PARKER)
70	HG 0008384	2.000	ADAPTER
71	SG 0007702A8	2.000	ELBDW,MALE SWIV 1/4OD X 1/8N
72	SBA001145201	1.000	VALVE CHECK
73	MS 0303519	2.000	SCREW,BUTTON HD. M5X.8X25MM
74	LCA000332501	1.000	PUMP, LUBE
75	HGB0011736	1.000	PRESSURE SWITCH
76	HG 0007702	1.000	CONNECTOR, MALE 1/8 STRAIGHT
77	SG 0007702A9	2.000	ELBDW,MALE SWIV 1/4OD X 1/4N
78	LC 0010779 A	1.000	FILTER/REG. ASSEM. - MAIN AI
79	MS 0553619	3.000	SCREW, SOC.SET CUP M6X1.0X25
80	CT 0011335	2.000	MUFFLER
81	LC 000304801	1.000	VALVE, DIRECTIONAL-5 WAY-2 P
82	LC 000700701	3.000	TUBING, FLEXIBLE
83	HG 000700702	1.000	TUBING, 1/4 OD NYLON
84	LCA0010115LB	1.000	COVER
85	CL 001022402	1.000	SWITCH PROXIMITY
86	LC 0003279PCDM	1.000	WIRE PKG, CASE LC65DOMESTIC
87	CL 000770209	1.000	FITTING, ST. 2' NONMETALLIC
88	CL 001022904	1.500	CONDUIT, 2' POLYUUFF
89	LC 001129802	1.000	SUPPRESSOR
91	CLA000365002	1.000	SWITCH, ROLLER
92	GK 0011350	2.000	FOAM
93	MS 0303614	2.000	SCREW, BUTTIN HD M6X1.0X8MM
94	CK 001033101	1.000	CAP PLUG 7/8
95	GK 000415BCLAM	2.000	SHELL, WIRE
96	CL 001078607	2.000	TEE, STREET (PARKER)
97	SB 000191401	1.000	CROSS BRASS
98	VL 0003504	2.000	NIPPLE, PIPE
99	VL 0011735	1.000	VALVE, NEEDLE
100	S 0001914	2.000	PLUG, PIPE
101	HG 0007007	15.000	TUBING - 5/16 O.D.
102	AH 0007007NF	9.000	TUBING, 1/4 O.D.
103	FR 000770204	1.000	CONNECTOR ,STRAIGHT MALE
104	CT 000770901	1.000	ELBDW
105	LC 0003011CHSC	1.000	CABLES, COLLET HYDRAULIC
106	2000010226	1.000	GASKET
107	LC 0010224	1.000	SWITCH, LCL FRONT DOOR
108	LCA000199020	1.000	SPACER, DOOR SWITCH
109	MS 0303518	3.000	SCREW, BT. HD. M5X.8X 20MM
111	DB 0009207 W	1.000	WASHER CONNECTOR
112	DB 00092079B	1.000	NUT CONNECTOR COMPRESS
113	DB 00092079A	1.000	BODY CONNECTOR
114	DB 00092079E	1.000	GROMMET
115	NC 0011298	1.000	RECTIFIER (SILICONE)
116	LC 001011609	1.000	GASKET, LCL CRT
117	CL 0010646	1.000	METER, RUN TIME
118	LD 0003883	1.000	FUSE LAYOUT, LC-65
119	LC 0009455	1.000	FOOT, POWERCASE
120	MN 0115010	1.000	NUT, 934 REGULAR M20 X 2.5
121	MW 0195010	1.000	WASHER, LOCK SQ.M20

Power Case Assembly, GE Fanuc 21i-T Control, CE Mark

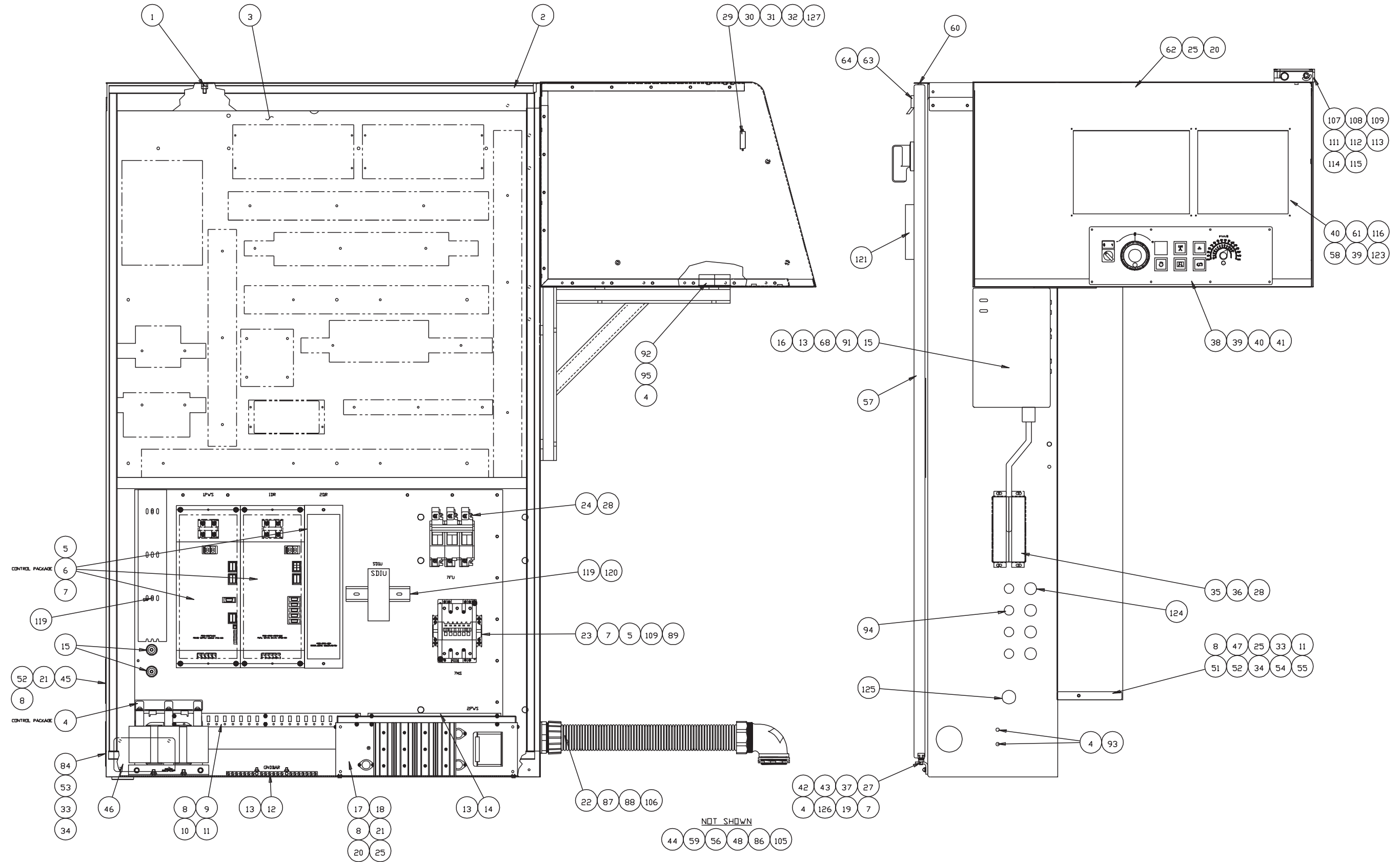


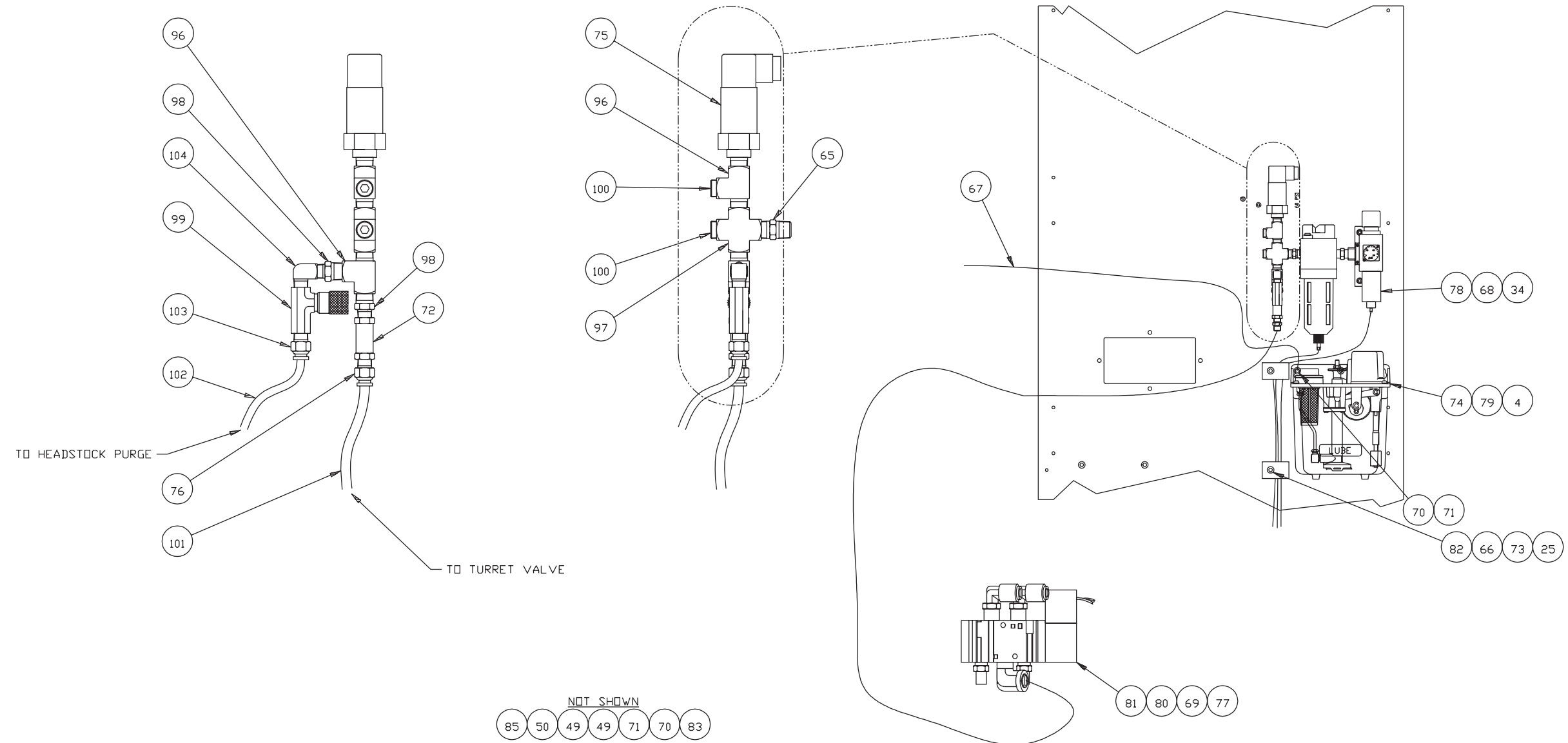


Power Case Assembly, GE Fanuc 21i-T Control, CE Mark

ITEM	PART NUMBER	QUANTITY	DESCRIPTION
1	MN 0113813	2.000	NUT, M8 X 1.25 BRASS
2	LC 0004158PFS	1.000	I-SERIES PC ENCLOSURE ASSY-E
3	LC 000327965FE	1.000	ASSEMBLY, LC65CE, UPPER PANE
4	MN 0283610	15.000	NUT, M6X1.0, SER HEX FLNG
5	MW 0103610	12.000	WASHER, FLAT M6 STEEL
6	MS 0303517	12.000	SCREW, BUTTN HD. M5X.8X16MM
7	MW 0183610	12.000	M6 REG. LOCKWASHER
8	MW 0263410	28.000	WASHER, EXT. STAR M4
9	GK 001082104	1.000	SUPPDRT, CABLE BAR
10	SG 001019001	6.000	STANDOFF
11	MS 0303417	14.000	SCREW, BT. HD. M4X.7,X 16MM
12	SB 0011888	1.000	KIT, GROUND BAR
13	MN 0283510	6.000	NUT, M5X0.8, SER HEX FLNG
14	SG 001082104	1.000	SUPPDRT, CABLE BAR
15	SG 0009532	3.000	GRDMMET
16	LC 00025330651	1.000	ASSEMBLY,COOLANT CATCHER
17	CL 001021564	1.000	COVER, POWER SUPPLY - CEMARK
18	CL 000877601	1.000	POWER SUPPLY 24VDC 12AMP
19	MW 0193610	2.000	WASHER, LOCK DIN-7980 M6X1.0
20	MW 0263510	11.000	WASHER, STAR EXT. M5 STEEL
21	MS 0303414	8.000	BUTTON HEAD SCREW
22	SN 001125916	1.000	CONNECTOR, 2" 90 DEG(METAL)
23	TT 0010016	1.000	CONTACTOR, 140A, 115V COIL
24	SG 001001704	1.000	HOLDER, FUSE 3P 125A
25	MS 0303515	15.000	SCREW, BT. HD. M5X.8,X 10MM
26	MS 0303617	2.000	SCREW, BT. HD. M6X1.0 X 16MM
27	SG 000415811	1.000	SPACER, NYLON (P.C. DOOR)
28	LC 0032316	9.000	SCREW, THR'D CUT-8-32 X 1/2
29	CN 0012042 B	1.000	BLOCKS, LATCHING
30	0170004	2.000	SCREW, BIND. HD-SS 4-40X1/4
31	VL 000362301	2.000	WASHER, EXT TOOTH-#4 STAINLE
32	VL 000962303	1.000	CLAMP, CABLE 0.078"
33	LC 001022901	1.000	FITTING, ST PG11 PLASTIC
34	LC 0010229	3.350	CONDUIT, PLASTIC PG11
35	HG 000415813	2.000	BRACKET, FDAM
36	HG 0011350	2.000	FILTER, FDAM
37	SG 000415810	1.000	BRACKET, DOOR HINGE MTG.
38	LC 000327965MC	1.000	ASSEMBLY, LC-65-CE, ESTOP
39	MS 0303315SS	16.000	SCREW, B HD. M3X.5X10MM SSTE
40	MW 0103310SS	16.000	WASHER, FLAT REGULAR M3X.5 S
41	LC 001011665FS	1.000	GASKET, E-STOP PANEL
42	SGA000415809	1.000	PLATE, DOOR HINGE (BOTTOM)
43	SG 000415808	1.000	PLATE, DOOR HINGE (TOP)
44	F3 000997701	18.000	LABEL, ID
45	LC 0010115LBC	1.000	COVER, LESS BATTERY
46	LC 0010115TCC	1.000	COVER, TRANSFORMER CONDUIT
47	LC 000415865FM	1.000	MGUNT, POWERCASE FAN
48	LC 0009610CEFK	1.000	FUSE KIT, LC65CE
49	MW 0103510	11.000	WASHER, FLAT M5 X .8 STEEL
50	LC 0003279PCFE	1.000	WIRE PKG, CASE LC65CE
51	CN 001134901	2.000	FAN
52	MN 0113410	12.000	NUT, HEXAGON, 934 PLATED
53	MW 0183510	13.000	WASHER, LOCK REG. M5 X .8 SC
54	LC 0011350	1.000	FILTER, PLENUM FAN
55	CN 0011349FG	2.000	GUARD FAN
56	LC 00030116PCF	1.000	CABLE PKG, PWRCASE LC65
57	LC 000378065EM	1.000	POWERCASE DOOR - EMC
58	SG 001011603	4.160	GASKET, EMI
59	LC 00030116MCE	1.000	CABLE PKG MISC LC65CE

ITEM	PART NUMBER	QUANTITY	DESCRIPTION
60	SG 000179912	1.000	SPACER, PC & I/O CASE DOOR
61	18 001188604	1.000	KEY SHEET - CE
62	SBA0006966	4.000	CLAMP
63	VL 001173801	2.000	DOOR PULL
64	VL 0011738	14.000	LATCH, DOOR, VISE ACTION
65	AD 0007710	1.000	NIPPLE, HEX
66	CF 0009623	2.000	CLAMPS CABLE
67	SG 0007007 T	7.000	TUBING, 5/32 OD
68	MS 0103518	4.000	SCREW, SDC. HD. CAP.M5X.8X20
69	CL 000770202	1.000	ELBDW, 90 DEG MALE (PARKER)
70	HG 0008384	1.000	ADAPTER
71	SG 0007702A8	1.000	ELBDW,MALE SWIV 1/4OD X 1/8N
72	SBA001145201	1.000	VALVE CHECK
73	MS 0303519	2.000	SCREW,BUTTON HD. M5X.8X25MM
74	LCA000332501	1.000	PUMP, LUBE
75	HGB0011736	1.000	PRESSURE SWITCH
76	HG 0007702	1.000	CONNECTOR, MALE 1/8 STRAIGHT
77	SG 0007702A9	2.000	ELBDW,MALE SWIV 1/4OD X 1/4N
78	LC 0010779 A	1.000	FILTER/REG. ASSEM. - MAIN AI
79	MS 0553619	3.000	SCREW, SDC.SET CUP M6X1.0X25
80	CT 0011335	2.000	MUFFLER
81	LC 000304802	1.000	VALVE, DIRECTIONAL-5 WAY-2 P
82	LC 000700701	3.000	TUBING, FLEXIBLE
83	CL 000770209	1.000	FITTING, ST. 2" NONMETALLIC
84	CL 001022904	1.500	CONDUIT, 2" POLYTUFF
85	TT 001129801	1.000	SUPPRESSDR
86	CLA000365002	1.000	SWITCH, ROLLER
87	CK 001033101	1.000	CAP PLUG 7/8
88	MS 0303614	2.000	SCREW, BUTTON HD M6X1.0X8MM
89	GK 0011350	2.000	FDAM
90	GK 0004158CLAM	2.000	SHELL, WIRE
96	CL 001078607	2.000	TEE, STREET
97	SB 000191401	1.000	CROSS, BRASS
98	VL 0003504	2.000	NIPPLE, PIPE
99	VL 0011735	1.000	VALVE, NEEDLE
100	S 0001914	2.000	PLUG, PIPE
101	HG 0007007	15.000	TUBING, 5/16 O.D.
102	AH 0007007NF	9.000	TUBING, 1/4" O.D.
103	FR 000770204	1.000	CONNECTOR, STRAIGHT MALE
104	CT 000770901	1.000	ELBDW
105	LC 0003011CHSC	1.000	CABLES, COLLET HYDRAULIC
106	MS 0303516	6.000	SCREW,BUT.HD.M5X.8X12MM
107	LCA0010115LB	1.000	COVER
108	LCA000199020	1.000	SPACER, DOOR SWITCH
109	MS 0303518	3.000	SCREW, BT. HD. M5X.8,X 20MM
111	DB 0009207 W	1.000	WASHER CONNECTOR
112	DB 00092079B	1.000	NUT CONNECTOR COMPRESS
113	DB 00092079A	1.000	BODY CONNECTOR
114	DB 00092079E	1.000	GRDMMET
115	NC 0011298	1.000	RECTIFIER (SILICONE)
116	2000010226	1.000	GASKET
117	LC 0010224	1.000	SWITCH, LCL FRONT DOOR
118	LC 0010116CFS	1.000	GASKET, CRT, I-SERIES
119	LC 0011942PR	2.000	RIVET, PDP OPEN END
120	CK 9011032	0.150	RAIL, DIN BLANK
121	CL 0010646	1.000	TIME RUN METER
122	LD 0003883	1.000	FUSE LAYOUT
123	LC 0010116MFS	1.000	GASKET, MDI, I-SERIES





Power Case Assembly, GE Fanuc 21i-T Control, Non-CE Mark

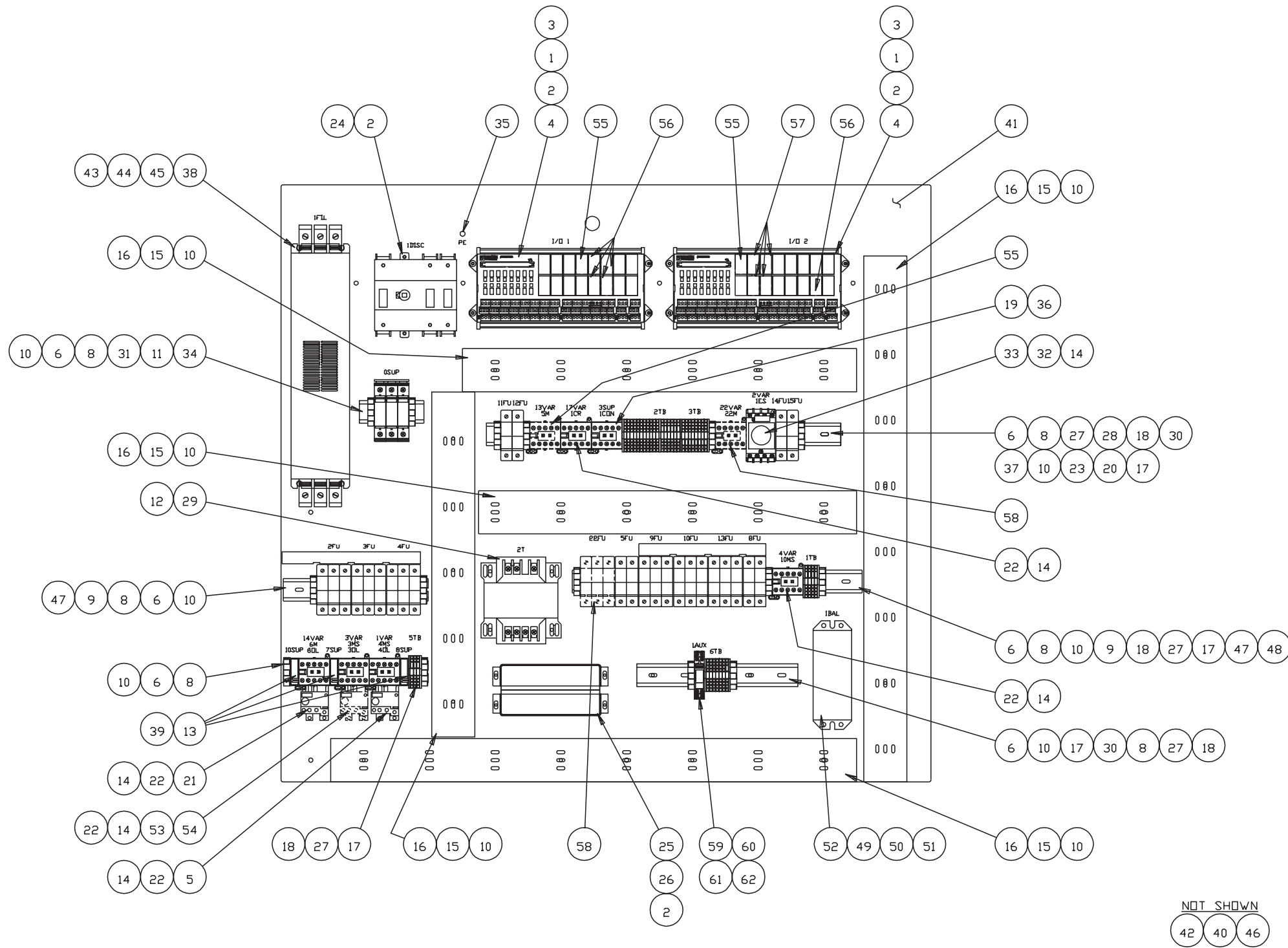
ITEM	PART NUMBER	QUANTITY	DESCRIPTION
1	MN 0113813	2.000	NUT, M8 X 1.25 BRASS
2	LC 0004158DPFS	1.000	I-SERIES PC ENCLDSURE ASSY-D
3	LC 000327965FD	1.000	LC65 UPPER PANEL ASSY-DDM
4	MN 0283610	15.000	NUT, M6X1.0, SER HEX FLNG
5	MW 0103610	12.000	WASHER, FLAT M6 STEEL
6	MS 0303517	10.000	SCREW, BUTTN HD. M5X.8X 16MM
7	MW 0183610	14.000	M6 REG. LOCKWASHER
8	MW 0263410	28.000	WASHER, EXT. STAR M4
9	GK 001082104	1.000	SUPPORT, CABLE BAR
10	SG 001019001	6.000	STANDOFF
11	MS 0303417	14.000	SCREW, BT. HD. M4X.7,X 16MM
12	SB 0011888	1.000	KIT, GROUND BAR
13	MN 0283510	6.000	NUT, M5X0.8, SER HEX FLNG
14	SG 001082104	1.000	SUPPORT, CABLE BAR
15	SG 0009532	3.000	GRDMMET
16	LC 00025330651	1.000	ASSEMBLY,COOLANT CATCHER
17	CL 001021564	1.000	COVER, POWER SUPPLY - CEMARK
18	CL 000877601	1.000	POWER SUPPLY 24VDC 12AMP
19	MW 0193610	2.000	WASHER, LOCK DIN-7980 M6X1.0
20	MW 0263510	8.000	WASHER, STAR EXT. M5 STEEL
21	MS 0303414	8.000	BUTTON HEAD SCREW
22	SN 001125916	1.000	CONNECTOR, 2" 90 DEG(METAL)
23	18 001001603	1.000	CONTACTOR, 110AMP 3PH 24DCCD
24	SG 001001704	1.000	HOLDER, FUSE 3P 125A
25	MS 0303515	15.000	SCREW, BT. HD. M5X.8,X 10MM
27	SG 000415811	1.000	SPACER, NYLON (P.C. DDDR)
28	LC 0032316	9.000	SCREW, THR'D CUT-B-32 X 1/2
29	CN 0012042 B	1.000	BLOCKS, LATCHING
30	0170004	1.000	SCREW, BIND. HD-SS 4-40X1/4
31	VL 000362301	2.000	WASHER, EXT TOOTH-#4 STAINLE
32	VL 000962303	1.000	CLAMP, CABLE 0.078"
33	MW 0103510	11.000	WASHER, FLAT M5 X .8 STEEL
34	MW 0183510	13.000	WASHER, LOCK REG. M5 X .8 SC
35	HG 000415813	2.000	BRACKET, FOAM
36	HG 0011350	2.000	FILTER, FOAM
37	SG 000415810	1.000	BRACKET, DDDR HINGE MTG.
38	LC 000327965MD	1.000	ASSEMBLY, LC65, E-STOP
39	MS 03033155S	16.000	SCREW, B HD. M3X.5X10MM SSTE
40	MW 0103310SS	16.000	WASHER, FLAT REGULAR M3X.5 S
41	LC 001011665FS	1.000	GASKET, E-STOP PANEL
42	SGA000415809	1.000	PLATE, DDDR HINGE (BOTTOM)
43	SG 000415808	1.000	PLATE, DDDR HINGE (TOP)
44	F3 000997701	18.000	LABEL, ID
45	LC 0010115LBC	1.000	COVER, LESS BATTERY
46	LC 0010115LTCC	1.000	COVER,LESS TRANSFORMER CONDU
47	LC 000415865FM	1.000	MDUNT, POWERCASE FAN
48	LC 0009610CEFK	1.000	FUSE KIT, LC65CE
49	LC 0010462	2.000	BRAKE, X AXIS
50	HGB001173601	1.000	PRESSURE SWITCH ASSEMBLY
51	CN 001134901	2.000	FAN
52	MN 0113410	12.000	NUT, HEXAGON, 934 PLATED
53	MS 0303516	6.000	SCREW,BUT.HD.M5X.8X12MM
54	LC 0011350	1.000	FILTER, PLENUM FAN
55	CN 0011349FG	2.000	GUARD FAN
56	LC 00030116PCF	1.000	CABLE PKG, PWRCASE LC65
57	LC 000378065	1.000	POWERCASE DDDR - DDM
58	SG 001011603	4.160	GASKET, EMI
59	LC 00030116MDM	1.000	CABLE PKG, MISC. LC65DM
60	SG 000179912	1.000	SPACER, PC & I/O CASE DDDR

ITEM	PART NUMBER	QUANTITY	DESCRIPTION
61	18 001188604	1.000	KEY SHEET - CE
62	SBA0006966	4.000	CLAMP
63	VL 001173801	2.000	DDDR PULL
64	VL 0011738	2.000	LATCH, DDDR, VISE ACTION
65	AD 0007710	1.000	NIPPLE, HEX
66	CF 0009623	2.000	CLAMPS CABLE
67	SG 0007007 T	7.000	TUBING, 5/32 OD
68	MS 0103518	4.000	SCREW, SDC. HD. CAP.M5X.8X20
69	CL 000770202	1.000	ELBOW, 90 DEG MALE (PARKER)
70	HG 0008384	2.000	ADAPTER
71	SG 0007702A8	2.000	ELBOW,MALE SWIV 1/4OD X 1/8N
72	SBA001145201	1.000	VALVE, CHECK
73	MS 0303519	2.000	SCREW,BUTTON HD. M5X.8X25MM
74	LCA000332501	1.000	PUMP, LUBE
75	HGB0011736	1.000	PRESSURE SWITCH
76	HG 0007702	1.000	CONNECTOR, MALE 1/8 STRAIGHT
77	SG 0007702A9	2.000	ELBOW,MALE SWIV 1/4OD X 1/4N
78	LC 0010779 A	1.000	FILTER/REG. ASSEM. - MAIN AI
79	MS 0553619	3.000	SCREW, SDC.SET CUP M6X1.0X25
80	CT 0011335	2.000	MUFFLER
81	LC 000304801	1.000	VALVE, DIRECTIONAL-5 WAY-2 P
82	LC 000700701	3.000	TUBING, FLEXIBLE
83	HG 000700702	1.000	TUBING, 1/4 OD NYLON
84	LCA0010115LB	1.000	COVER
85	CL 001022402	1.000	SWITCH PROXIMITY
86	LC 0003279PCFM	1.000	WIRE PKG, CASE LC65 DOMESTIC
87	CL 000770209	1.000	FITTING, ST. 2" NONMETALLIC
88	CL 001022904	1.500	CONDUIT, 2" POLYUUFF
89	LC 001129802	1.000	SUPPRESSOR
91	CLA000365002	1.000	SWITCH, ROLLER
92	GK 0011350	2.000	FOAM
93	MS 0303614	2.000	SCREW, BUTTON HD M6X1.0X8MM
94	CK 001033101	4.000	CAP PLUG 7/8
95	GK 0004158CLAM	2.000	SHELL, WIRE
96	CL 001078607	2.000	TEE, STREET
97	SB 000191401	1.000	CROSS, BRASS
98	VL 0003504	2.000	NIPPLE, PIPE
99	VL 0011735	1.000	VALVE, NEEDLE
100	5 0001914	2.000	PLUG, PIPE
101	HG 0007007	15.000	TUBING, 5/16 O.D.
102	AH 0007007NF	9.000	TUBING, 1/4" O.D.
103	FR 000770204	1.000	CONNECTOR, STRAIGHT MALE
104	CT 000770901	1.000	ELBOW
105	LC 0003011CHSC	1.000	CABLES, COLLET HYDRAULIC
106	2000010226	1.000	GASKET
107	LC 0010224	1.000	SWITCH, LCL FRONT DDDR
108	LCA000199020	1.000	SPACER, DDDR SWITCH
109	MS 0303518	5.000	SCREW, BT. HD. M5X.8,X 20MM
111	DB 0009207 W	1.000	WASHER CONNECTOR
112	DB 00092079B	1.000	NUT CONNECTOR COMPRESS
113	DB 00092079A	1.000	BODY CONNECTOR
114	DB 00092079E	1.000	GRDMMET
115	NC 0011298	1.000	RECTIFIER (SILICONE)
116	LC 0010116CFS	1.000	GASKET, CRT, I-SERIES
119	LC 0011942PR	4.000	RIVET, PDP OPEN END
120	CK 9011032	0.150	RAIL, DIN BLANK
121	CL 0010646	1.000	RUN TIME METER
122	LD 0003883	1.000	FUSE LAYOUT
123	LC 0010116MFS	1.000	GASKET, MDI, I-SERIES

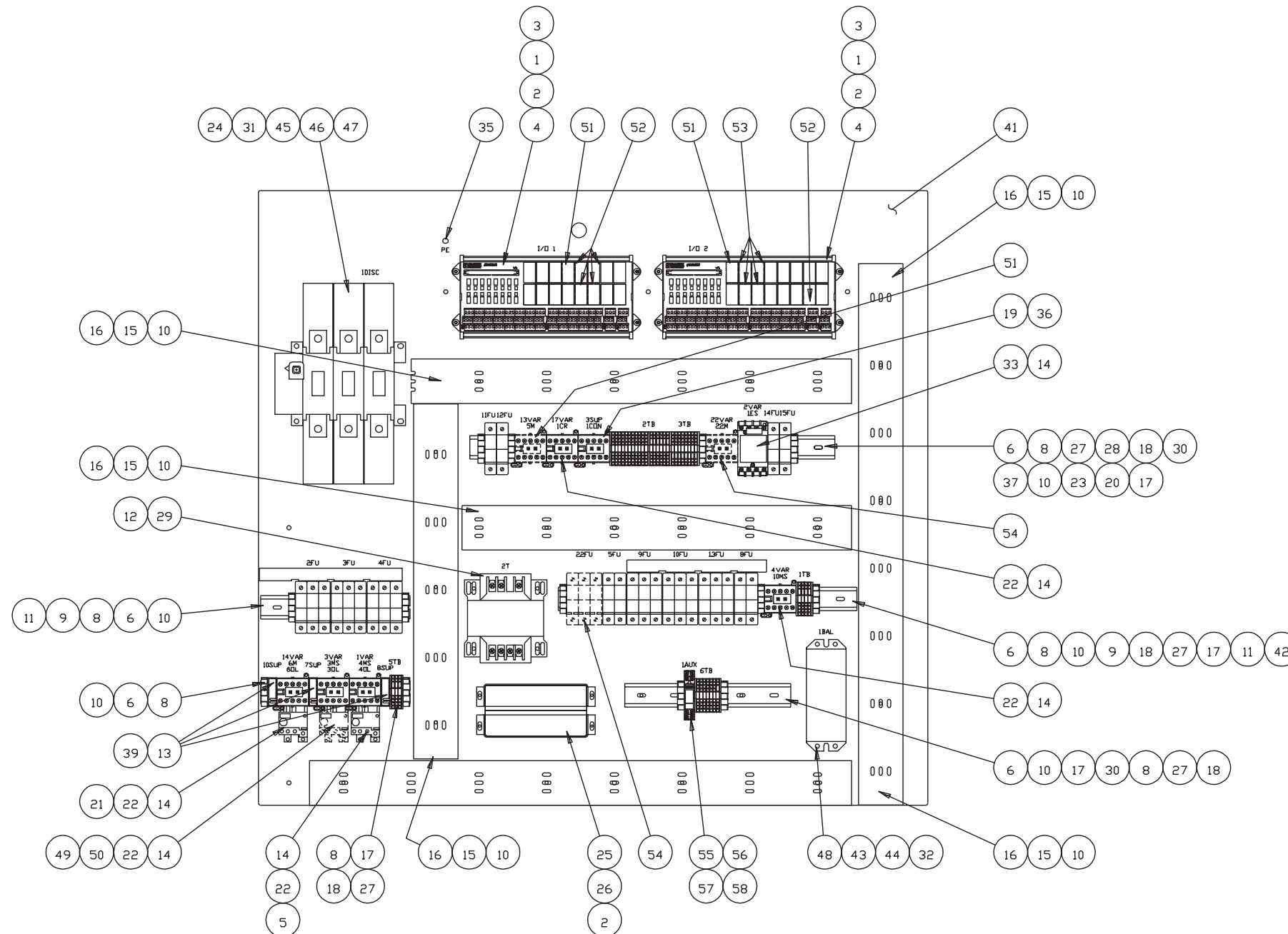
ITEM	PART NUMBER	QUANTITY	DESCRIPTION
124	6 0010331	4.000	PLUG CAP
125	HG 0010331	1.000	PLUG, HOLE
126	MS 0103618	2.000	SCREW, SDC. HD. M6X1.0 X 20MM
127	0170006	1.000	SCREW, BINDING HD-SS 4-40

122

Power Case Upper Panel Assembly, GE Fanuc 21-T Control, CE Mark



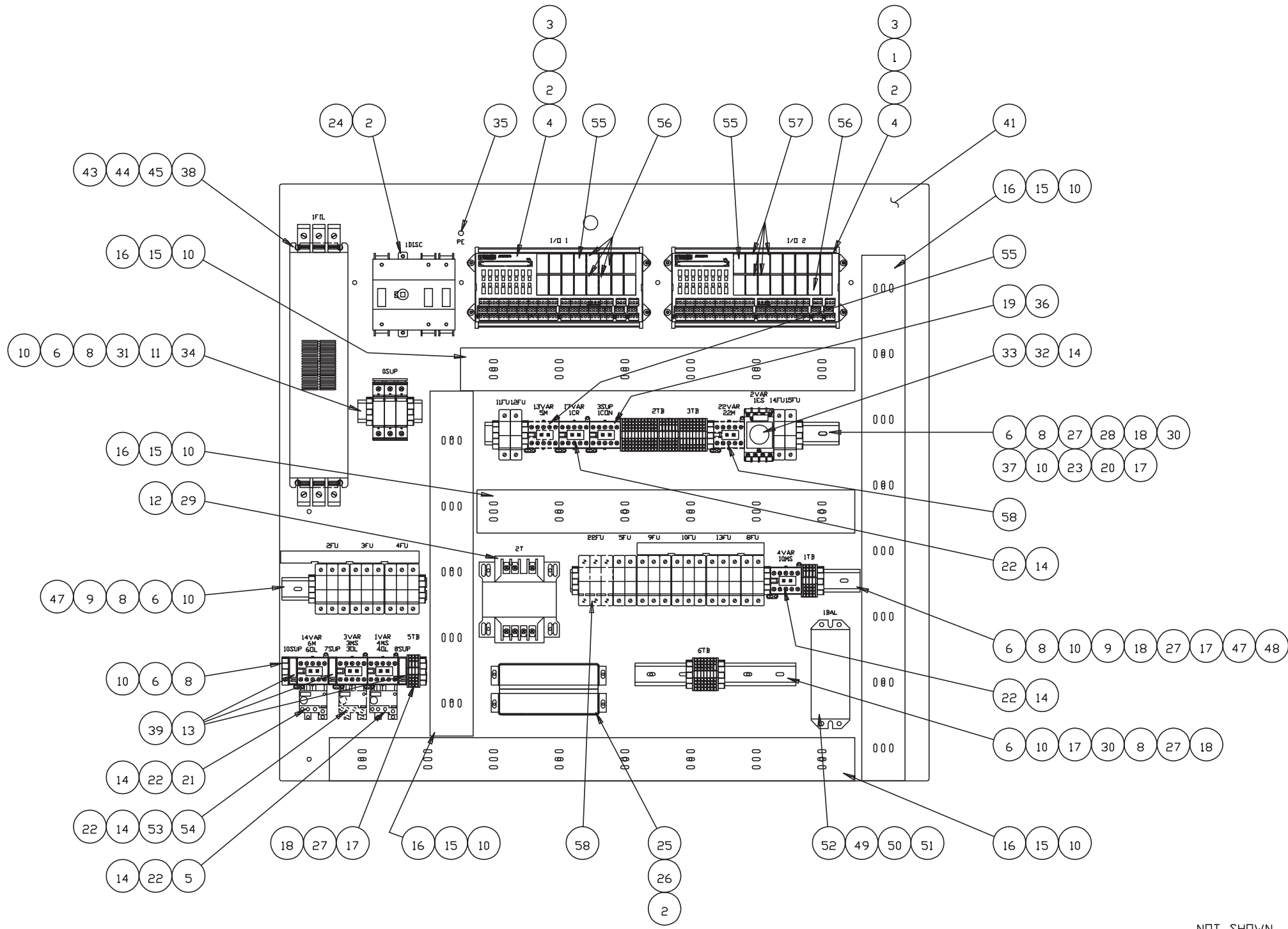
ITEM	PART NUMBER	QUANTITY	DESCRIPTION
1	LC 000812203	17.000	RELAY, MINI 24VDC
2	LC 0032316	14.000	SCREW, THR'D CUT-8-32 X 1/2
3	LC 0009623	17.000	CLIP, RETAINING
4	LC 0011791	2.000	I/O MODULE PHOENIX
5	LCA001001902	1.000	OVERLOAD, 1.6-2.4A
6	CK 9011032	1.830	RAIL, DIN BLANK
8	HG 001103204	15.000	END STOP
9	LC 0010017	6.000	HOLDER, FUSE 3P/W/O IND CC
10	LC 0011942PR	28.000	RIVET, PDP OPEN END
11	LC 001213502	1.000	BUS BAR, 3 POINT
12	MC 000877601	1.000	TRANSFORMER, 350VA
13	LC 001129801	3.000	SUPPRESSOR, SURGE 400V
14	LC 0011298	6.000	SUPPRESSOR, CONTACTOR
15	HG 001082108	10.990	COVER, FDR DUCT (HG 10821)
16	HG 0010821	10.990	DUCT
17	HG 0009175	0.500	MARKER, STRIP 1-10
18	HG 001103202	22.000	TERMINAL BLOCK, GREEN/YELLOW
19	LC 001036101	1.000	CONTACTOR, 115VAC 3POLE+
20	HG 000917501	0.100	MARKER, STRIP 11-20
21	LCA001001904	1.000	OVERLOAD, 1.0-1.6A
22	LC 0010361	5.000	CONTACTOR, 24VDC
23	HG 000917502	0.100	MARKER, STRIP 21-30
24	LCA001001601	1.000	SWITCH, DISCONNECT 100A 600V
25	HG 000415813	2.000	BRACKET, FIDAM
26	HG 0011350	2.000	FILTER, FIDAM
27	HG 001103203	10.000	END PLATE
28	SG 001001703	4.000	HOLDER, FUSE 1P/W/O IND.CC F
29	MN 0283610	4.000	NUT, M6X1.0, SER HEX FLNG
30	HG 0011032	17.000	TERMINAL BLOCK, GRAY
31	LC 001213501	3.000	SURGE ABSORBER BASE
32	LC 0011371	1.000	TIMER, 0.1-40S OFF DELAY
33	LC 000812202	1.000	RELAY, 24VDC - 4ND
34	LC 0012135	3.000	SURGE ABSORBER
35	MN 0113813	2.000	NUT, M8 X 1.25 BRASS
36	LC 001129803	1.000	SUPPRESSOR
37	HG 001103205	1.100	JUMPER, 10 POLE
38	18 001129810	1.000	FILTER, 3 PHASE 100AMP (EMC)
39	LC 000838401	3.000	ADAPTER, DIN RAIL
40	LC 001202465CE	1.000	DATABASE, WIRE & CABLE LC65C
41	LC 00019046502	1.000	PANEL, UPPER COMPONENT MTG.
42	LCA0003279WP6C	1.000	WIRE PACKAGE, LC65CE UPPER P
43	MS 0303617	4.000	SCREW, BT. HD. M6X1.0 X 16MM
44	MW 0183610	4.000	M6 REG. LOCKWASHER
45	MW 0103610	4.000	WASHER, FLAT M6 STEEL
46	F3 000997701	35.000	LABEL, ID
47	SG 0010017BB01	2.000	BUS BAR, 4 3 POLE BREAKER
48	LC 001001701	2.000	HOLDER, FUSE 2P/W/O IND CC
49	MW 0193610	2.000	WASHER, LOCK DIN-7980 M6X1.0
50	MS 0303516	2.000	SCREW, BUT. HD. M5X.8X12MM
51	MW 0103510	2.000	WASHER, FLAT M5 X .8 STEEL
52	CL 000023901	1.000	BALLAST
53	LC 0003279H2DE	1.000	KIT, PUMP, H2O-CE
54	LC 0003279DLE	1.000	KIT, PUMP, OIL-CE
55	LC 0003279SR	1.000	KIT, STEADY REST
56	LC 0003279MBF	1.000	KIT, MAGAZINE BARFEED
57	LC 0003279TEST	1.000	KIT, TEST OPTIONS
58	LC 0003279CJ	1.000	KIT, COOL JET
59	LC 00081226500	1.000	RELAY PCB 26VDC 16A FDRM A
60	LC 00081226501	1.000	RELAY SOCKET DIN PCB
61	LC 00081226502	1.000	RELAY SUP ZD-50 TYPE
62	LC 00081226503	1.000	RELAY SPRING RETENT



NOT SHOWN
 38 40 34

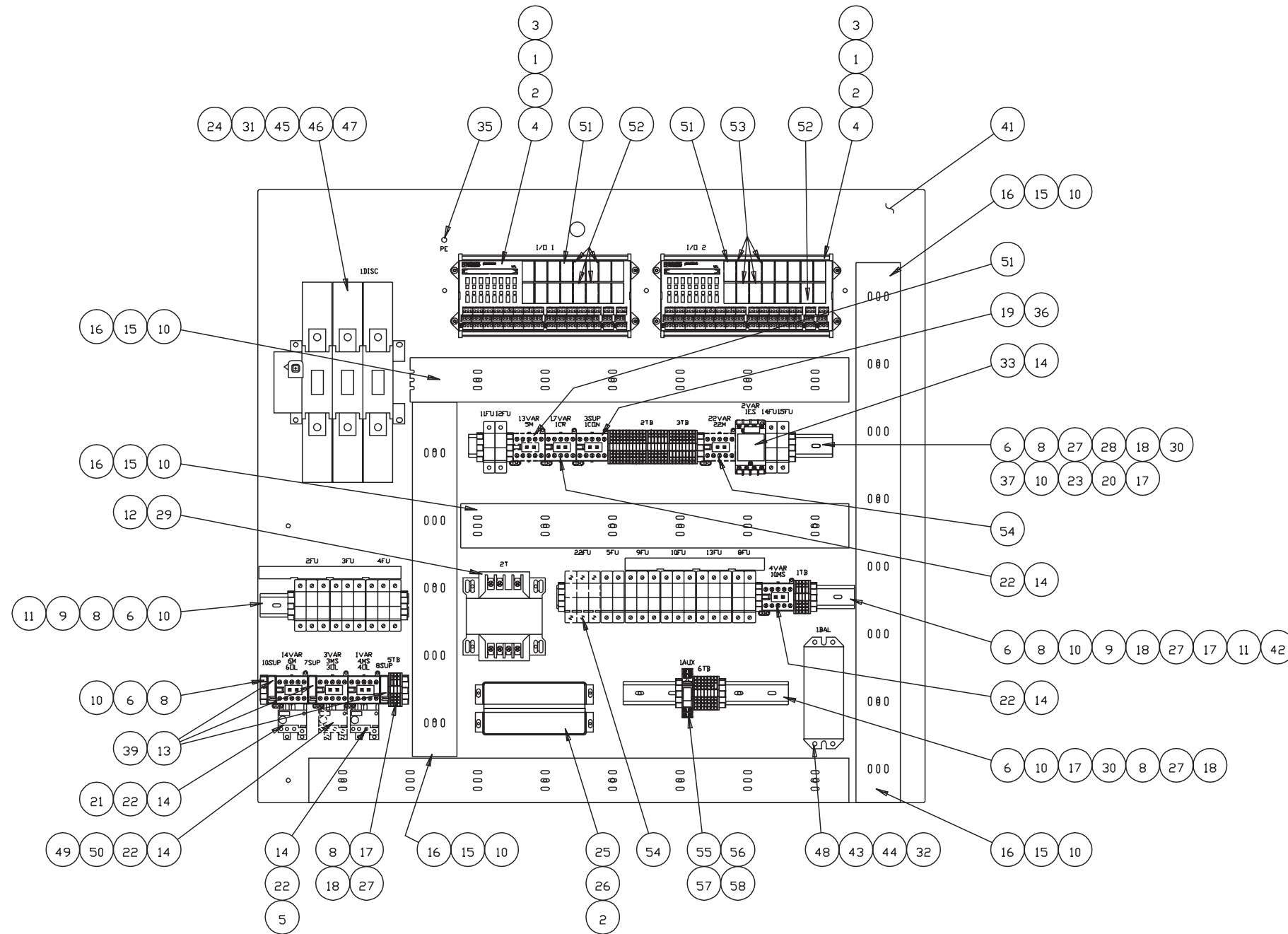
ITEM	PART NUMBER	QUANTITY	DESCRIPTION
1	LC 000812203	16	RELAY, MINI 24VDC
2	LC 0032316	12	SCREW, THR'D CUT-8-32 X 1/2
3	LC 0009623	16	CLIP, RETAINING
4	LC 0011791	2	I/O MODULE PHOENIX
5	LCA001001903	1	OVERLOAD, 2.4-4.0A
6	CK 9011032	1.73	RAIL, DIN BLANK
8	HG 001103204	15	END STOP
9	LC 0010017	6	HOLDER, FUSE 3P/W/D IND CC
10	LC 0011942PR	26	RIVET, POP OPEN END
11	SG 0010017BB01	2	BUS BAR, 4 3 POLE BREAKER
12	MC 000877601	1	TRANSFORMER, 350VA
13	LC 001129801	3	SUPPRESSOR, SURGE 400V
14	LC 0011298	6	SUPPRESSOR, CONTACTOR
15	HG 001082108	11.12	COVER, FOR DUCT (HG 10821)
16	HG 0010821	11.12	DUCT
17	HG 0009175	0.5	MARKER, STRIP 1-10
18	HG 001103202	22	TERMINAL BLOCK, GREEN/YELLOW
19	LC 001036101	1	CONTACTOR, 115VAC 3POLE+
20	HG 000917501	0.1	MARKER, STRIP 11-20
21	LCA001001904	1	OVERLOAD, 1.0-1.6A
22	LC 0010361	5	CONTACTOR, 24VDC
23	HG 000917502	0.1	MARKER, STRIP 21-30
24	LC 001001602	1	SWITCH, DISCONNECT 175A 600V
25	HG 000415813	2	BRACKET, FOAM
26	HG 0011350	2	FILTER, FOAM
27	HG 001103203	10	END PLATE
28	SG 001001703	4	HOLDER, FUSE 1P/W/D IND.CC F
29	MN 0283610	4	NUT, M6X1.0, SER HEX FLNG
30	HG 0011032	17	TERMINAL BLOCK, GRAY
31	LC 001001603	2	SWITCH, DISC TB COVER
32	MW 0103510	2	WASHER, FLAT M5 X .8 STEEL
33	LC 000812202	1	RELAY, 24VDC - 4ND
34	F3 000997701	35	LABEL, ID
35	MN 0113813	2	NUT, M8 X 1.25 BRASS
36	LC 001129803	1	SUPPRESSOR
37	HG 001103205	1.1	JUMPER, 10 POLE
38	LCA0003279WP6D	1	WIRE PKG., POWERCASE PLATE
39	LC 000838401	3	ADAPTER, DIN RAIL
40	LC 001202465CE	1	DATABASE, WIRE & CABLE LC65C
41	LC 00019046502	1	PANEL, UPPER COMPONENT MTG.
42	LC 001001701	2	HOLDER, FUSE 2P/W/D IND CC
43	MW 0193610	2	WASHER, LOCK DIN-7980 M6X1.0
44	MS 0303516	2	SCREW, BUT.HD.M5X.8X12MM
45	MS 0103616	4	SCREW, SOC.HD.CAP M6X1.0X12MM
46	MW 0183610	4	M6 REG. LOCKWASHER
47	MW 0103610	4	WASHER, FLAT M6 STEEL
48	CL 000023901	1	BALLAST
49	LC 0003279DIL	1	KIT, PUMP, OIL
50	LC 0003279H2D	1	KIT, PUMP, H2O
51	LC 0003279SR	1	KIT, STEADY REST
52	LC 0003279MBF	1	KIT, MAGAZINE BARFEED
53	LC 0003279TEST	1	KIT, TEST OPTIONS
54	LC 0003279CJ	1	KIT, COOL JET
55	LC 00081226500	1	RELAY PCB 26VDC 16A FORM A
56	LC 00081226501	1	RELAY SOCKET DIN PCB
57	LC 00081226502	1	RELAY SUP ZD-50 TYPE
58	LC 00081226503	1	RELAY SPRING RETENT

Power Case Upper Panel Assembly, GE Fanuc 21i-T Control, CE Mark



NOT SHOWN
42 40 46

ITEM	PART NUMBER	QUANTITY	DESCRIPTION
1	LC 000812203	17.000	RELAY, MINI 24VDC
2	LC 0032316	14.000	SCREW, THR'D CUT-8-32 X 1/2
3	LC 0009623	17.000	CLIP, RETAINING
4	LC 0011791	2.000	I/O MODULE PHOENIX
5	LCA001001902	1.000	OVERLOAD, 1.6-2.4A
6	CK 9011032	1.830	RAIL, DIN BLANK
8	HG 001103204	15.000	END STOP
9	LC 0010017	6.000	HOLDER, FUSE 3P/W/O IND CC
10	LC 0011942PR	28.000	RIVET, PDP OPEN END
11	LC 001213502	1.000	BUS BAR, 3 POINT
12	MC 000877601	1.000	TRANSFORMER, 350VA
13	LC 001129801	3.000	SUPPRESSOR, SURGE 400V
14	LC 0011298	6.000	SUPPRESSOR, CONTACTOR
15	HG 001082108	10.990	COVER, FDR DUCT QHG 10821
16	HG 0010821	10.990	DUCT
17	HG 0009175	0.500	MARKER, STRIP 1-10
18	HG 001103202	22.000	TERMINAL BLOCK, GREEN/YELLOW
19	LC 001036101	1.000	CONTACTOR, 115VAC 3POLE+
20	HG 000917501	0.100	MARKER, STRIP 11-20
21	LCA001001904	1.000	OVERLOAD, 1.0-1.6A
22	LC 0010361	5.000	CONTACTOR, 24VDC
23	HG 000917502	0.100	MARKER, STRIP 21-30
24	LCA001001601	1.000	SWITCH, DISCONNECT 100A 600V
25	HG 000415813	2.000	BRACKET, FDAM
26	HG 0011350	2.000	FILTER, FDAM
27	HG 001103203	10.000	END PLATE
28	SG 001001703	4.000	HOLDER, FUSE 1P/W/O IND CC F
29	MN 0283610	4.000	NUT, M6X1.0, SER HEX FLNG
30	HG 0011032	17.000	TERMINAL BLOCK, GRAY
31	LC 001213501	3.000	SURGE ABSORBER BASE
32	LC 0011371	1.000	TIMER, 0.1-40S OFF DELAY
33	LC 000812202	1.000	RELAY, 24VDC - 4ND
34	LC 0012135	3.000	SURGE ABSORBER
35	MN 0113813	2.000	NUT, M8 X 1.25 BRASS
36	LC 001129803	1.000	SUPPRESSOR
37	HG 001103205	1.100	JUMPER, 10 POLE
38	18 001129810	1.000	FILTER, 3 PHASE 100AMP (EMC)
39	LC 000838401	3.000	ADAPTER, DIN RAIL
40	LC 001202465FS	1.000	DATABASE, WIRE & CABLE LC65-FS
41	LC 00019046502	1.000	PANEL, UPPER COMPONENT MTG.
42	LC 0003279WPFC	1.000	WIRE PACKAGE, LC65CE UPPER P
43	MS 0303617	4.000	SCREW, BT. HD. M6X1.0 X 16MM
44	MW 0183610	4.000	M6 REG. LOCKWASHER
45	MW 0103610	4.000	WASHER, FLAT M6 STEEL
46	F3 000997701	35.000	LABEL, ID
47	SG 0010017BB01	2.000	BUS BAR, 4 3 POLE BREAKER
48	LC 001001701	2.000	HOLDER, FUSE 2P/W/O IND CC
49	MW 0193610	2.000	WASHER, LOCK DIN-7980 M6X1.0
50	MS 0303516	2.000	SCREW, BUT.HD.M5X.8X12MM
51	MW 0103510	2.000	WASHER, FLAT M5 X .8 STEEL
52	CL 000023901	1.000	BALLAST
53	LC 0003279H2DE	1.000	KIT, PUMP, H2D-CE
54	LC 0003279D1LE	1.000	KIT, PUMP, D1L-CE
55	LC 0003279SR	1.000	KIT, STEADY REST
56	LC 0003279MBF	1.000	KIT, MAGAZINE BARFEED
57	LC 0003279TEST	1.000	KIT, TEST OPTIONS
58	LC 0003279CJ	1.000	KIT, COOL JET

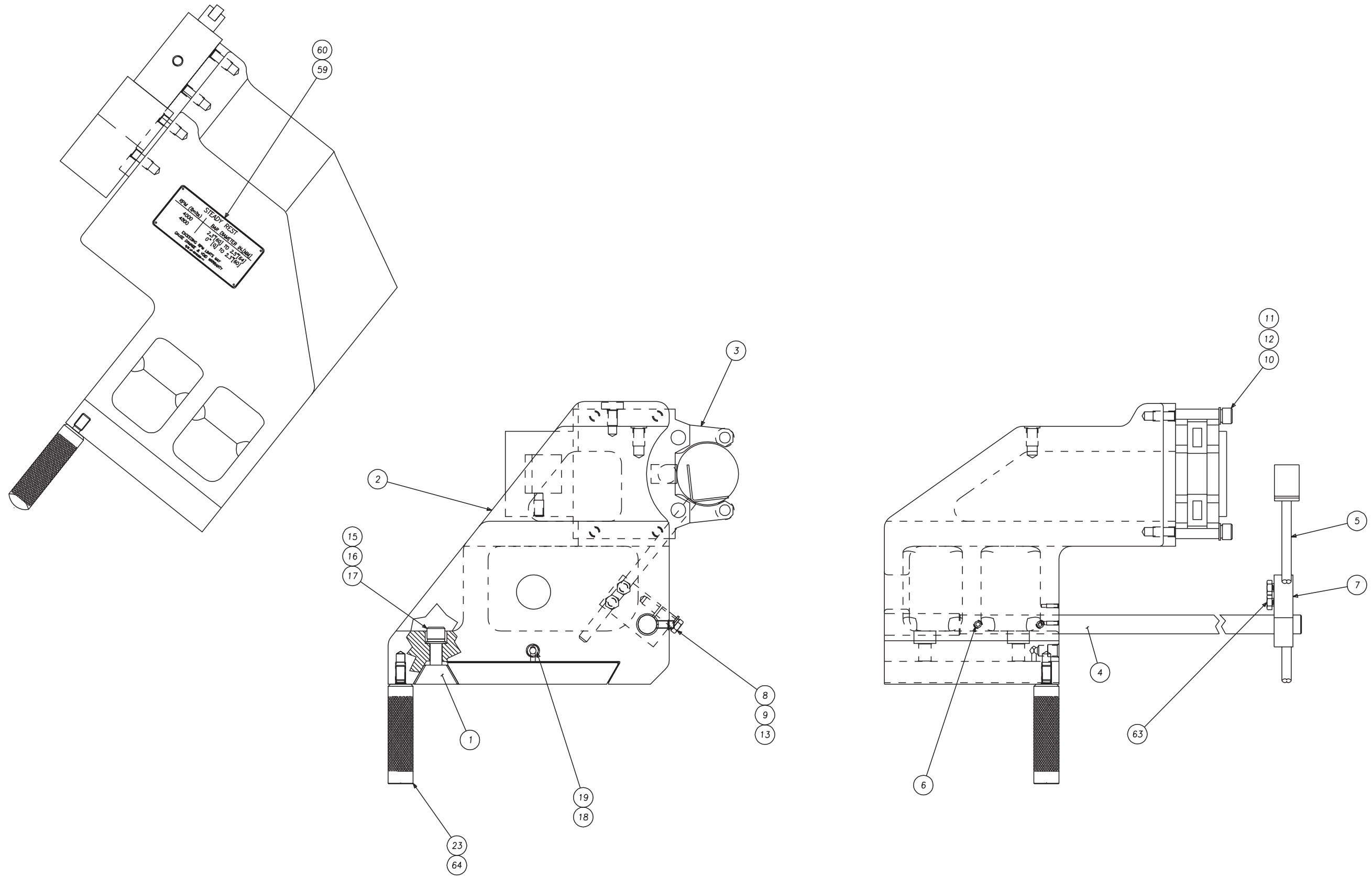


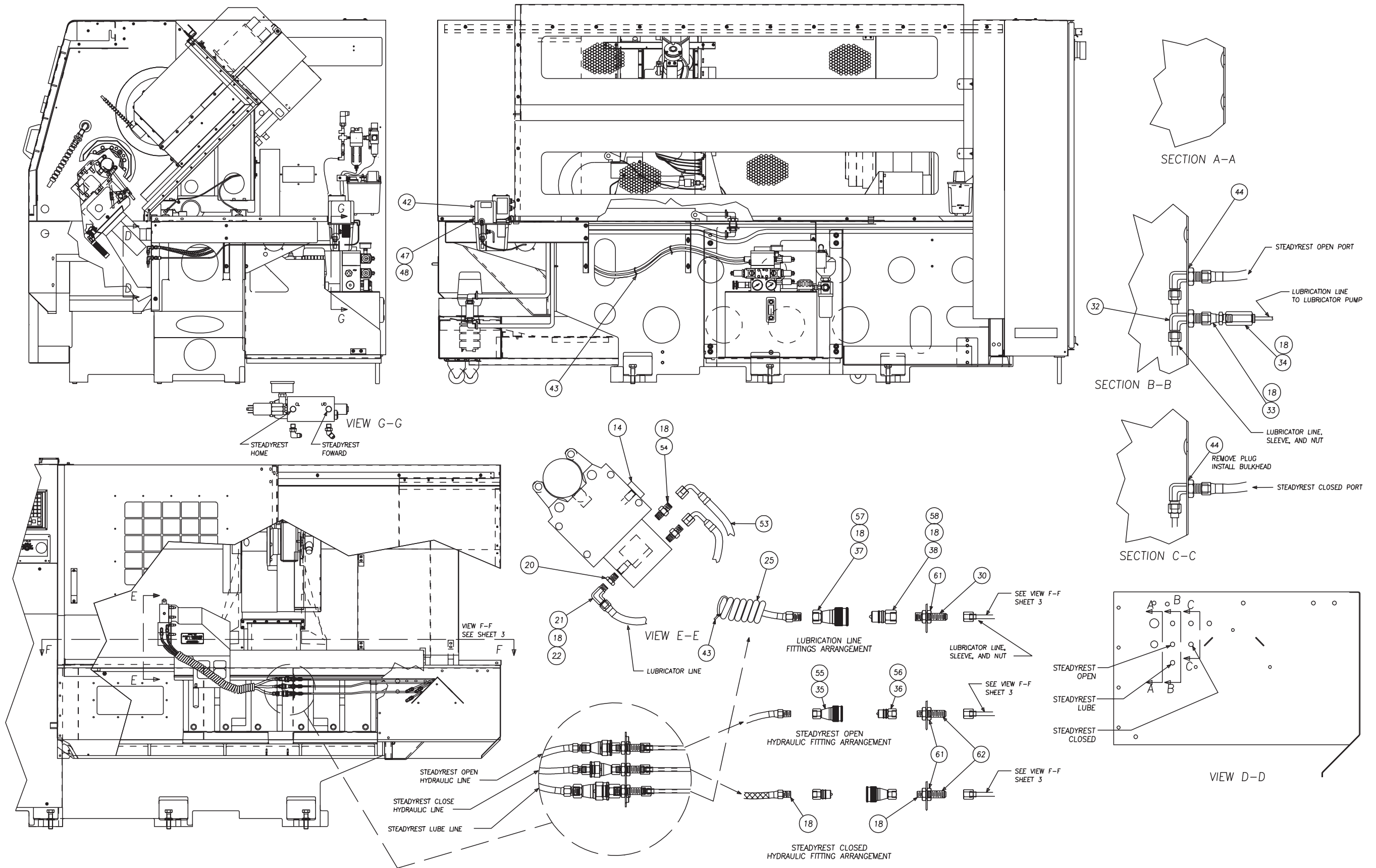
NOT SHOWN

38 40 34

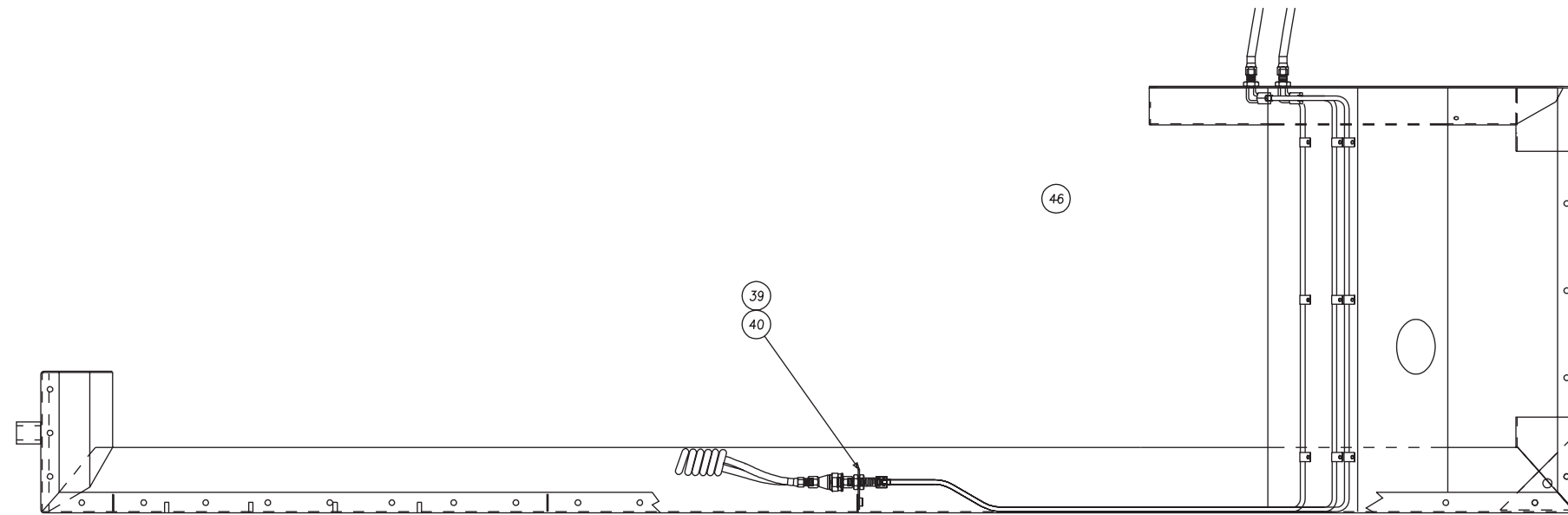
ITEM	PART NUMBER	QUANTITY	DESCRIPTION
1	LC 000812203	16	RELAY, MINI 24VDC
2	LC 0032316	12	SCREW, THR'D CUT-8-32 X 1/2
3	LC 0009623	16	CLIP, RETAINING
4	LC 0011791	2	I/O MODULE PHOENIX
5	LC 001001903	1	OVERLOAD, 3.0-4.7A
6	CK 9011032	1.73	RAIL, DIN BLANK
8	HG 001103204	15	END STOP
9	LC 0010017	6	HOLDER, FUSE 3P/W/O IND CC
10	LC 0011942PR	26	RIVET, POP OPEN END
11	SG 0010017BB01	2	BUS BAR, 4 3 POLE BREAKER
12	MC 000877601	1	TRANSFORMER, 350VA
13	LC 001129801	3	SUPPRESSOR, SURGE 400V
14	LC 0011298	6	SUPPRESSOR, CONTACTOR
15	HG 001082108	11.12	COVER, FOR DUCT (HG 10821)
16	HG 0010821	11.12	DUCT
17	HG 0009175	0.5	MARKER, STRIP 1-10
18	HG 001103202	22	TERMINAL BLOCK, GREEN/YELLOW
19	LC 001036101	1	CONTACTOR, 115VAC 3POLE+
20	HG 000917501	0.1	MARKER, STRIP 11-20
21	LCA001001904	1	OVERLOAD, 1.0-1.6A
22	LC 0010361	5	CONTACTOR, 24VDC
23	HG 000917502	0.1	MARKER, STRIP 21-30
24	LC 001001602	1	SWITCH, DISCONNECT 175A 600V
25	HG 000415813	2	BRACKET, FOAM
26	HG 0011350	2	FILTER, FOAM
27	HG 001103203	10	END PLATE
28	SG 001001703	4	HOLDER, FUSE 1P/W/O IND.CC F
29	MN 0283610	4	NUT, M6X1.0, SER HEX FLNG
30	HG 0011032	17	TERMINAL BLOCK, GRAY
31	LC 001001603	2	SWITCH, DISC TB COVER
32	MW 0103510	2	WASHER, FLAT M5 X .8 STEEL
33	LC 000812202	1	RELAY, 24VDC - 4ND
34	F3 000997701	35	LABEL, ID
35	MN 0113813	2	NUT, M8 X 1.25 BRASS
36	LC 001129803	1	SUPPRESSOR
37	HG 001103205	1.1	JUMPER, 10 POLE
38	LC 0003279WPF0	1	WIRE PKG., POWERCASE PLATE
39	LC 000838401	3	ADAPTER, DIN RAIL
40	LC 001202465FS	1	DATABASE, WIRE & CABLE LC65C
41	LC 00019046502	1	PANEL, UPPER COMPONENT MTG.
42	LC 001001701	2	HOLDER, FUSE 2P/W/O IND CC
43	MW 0193610	2	WASHER, LOCK DIN-7980 M6X1.0
44	MS 0303516	2	SCREW, BUT.HD.M5X.8X12MM
45	MS 0103616	4	SCREW, SOCR.HD.CAP M6X1.0X12MM
46	MW 0183610	4	M6 REG. LOCKWASHER
47	MW 0103610	4	WASHER, FLAT M6 STEEL
48	CL 000023901	1	BALLAST
49	LC 0003279DIL	1	KIT, PUMP, OIL
50	LC 0003279H2O	1	KIT, PUMP, H2O
51	LC 0003279SR	1	KIT, STEADY REST
52	LC 0003279MBF	1	KIT, MAGAZINE BARFEED
53	LC 0003279TEST	1	KIT, TEST OPTIONS
54	LC 0003279CJ	1	KIT, COOL JET
55	LC 00081226500	1	RELAY PCB 26VDC 16A FORM A
56	LC 00081226501	1	RELAY SOCKET DIN PCB
57	LC 00081226502	1	RELAY SUP ZD-50 TYPE
58	LC 00081226503	1	RELAY SPRING RETENT

Steady Rest Assembly

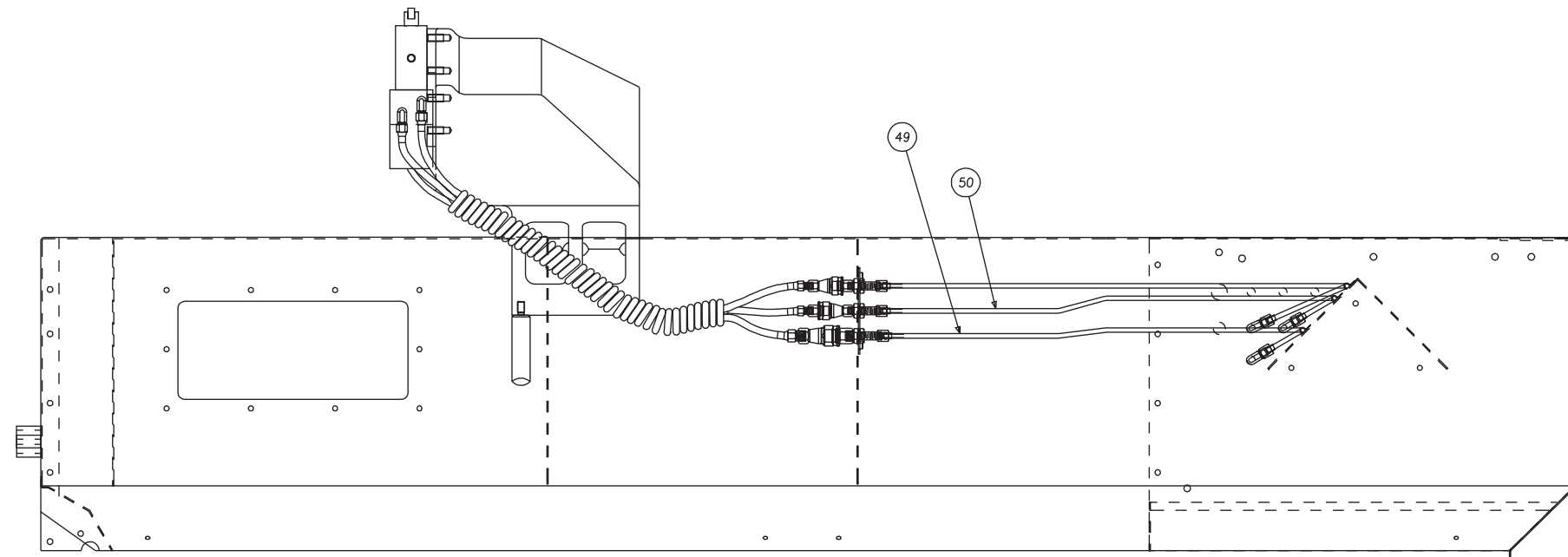




Steady Rest Assembly

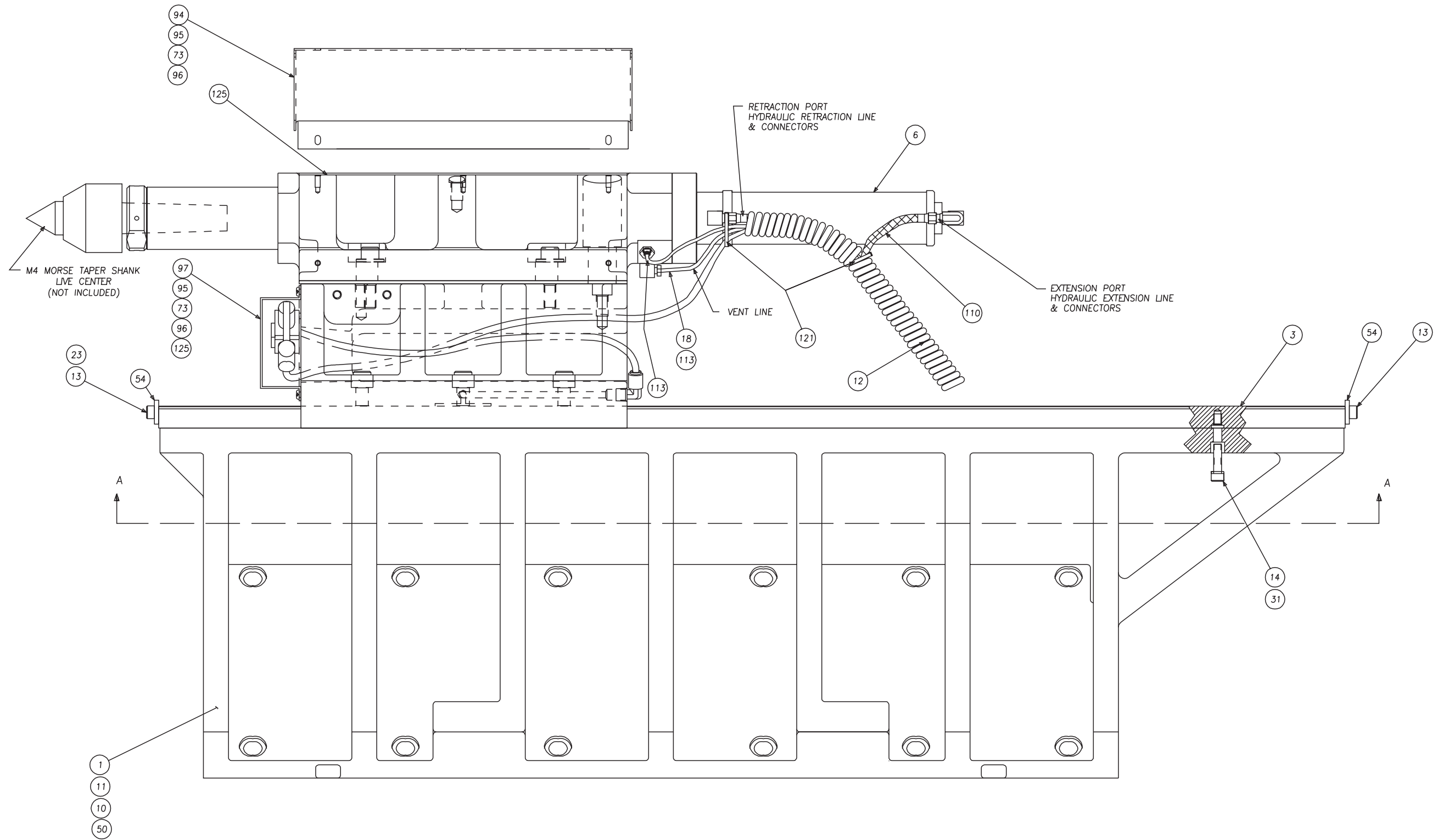


TOP VIEW OF SKIRT
VIEW F-F

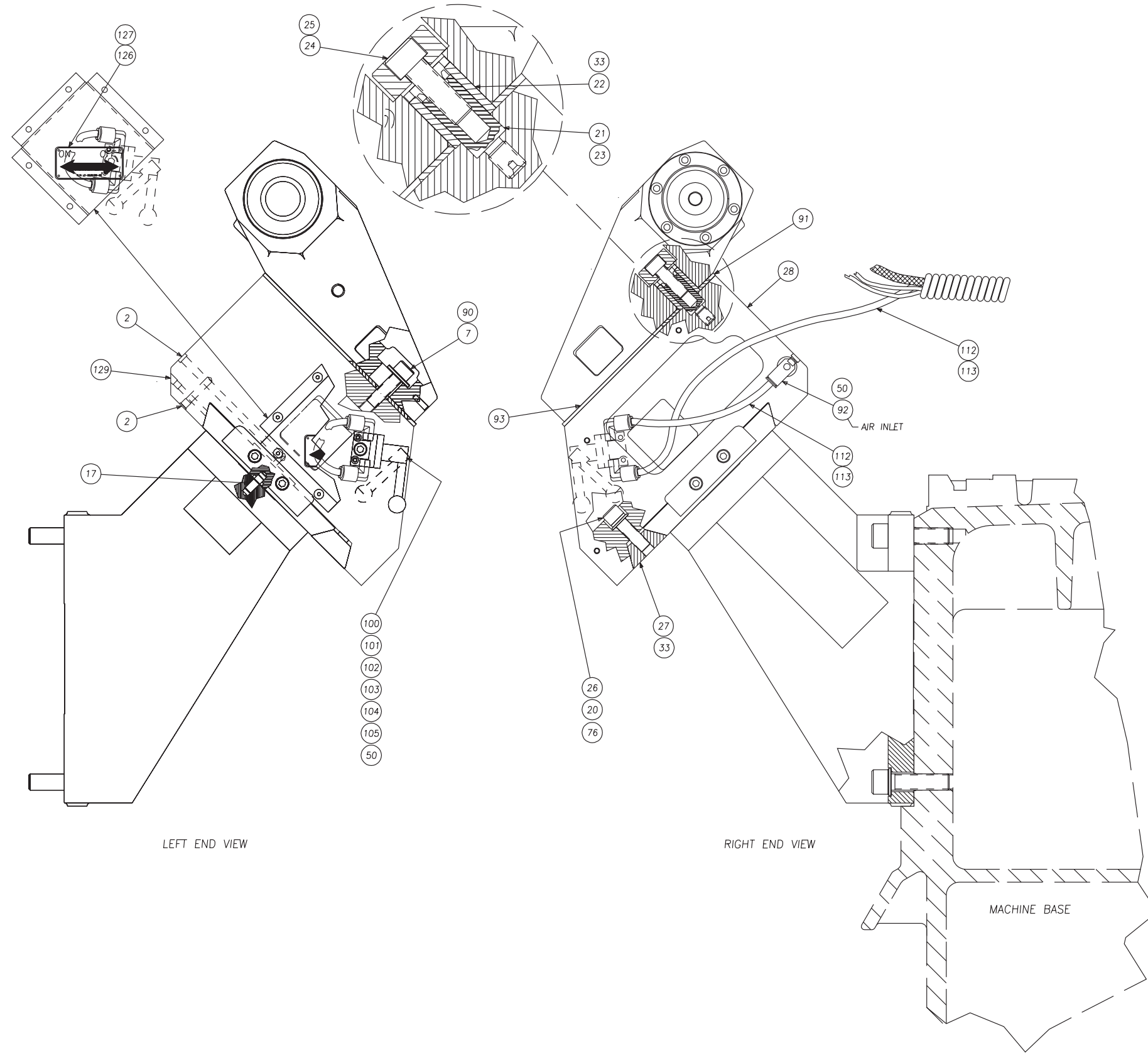


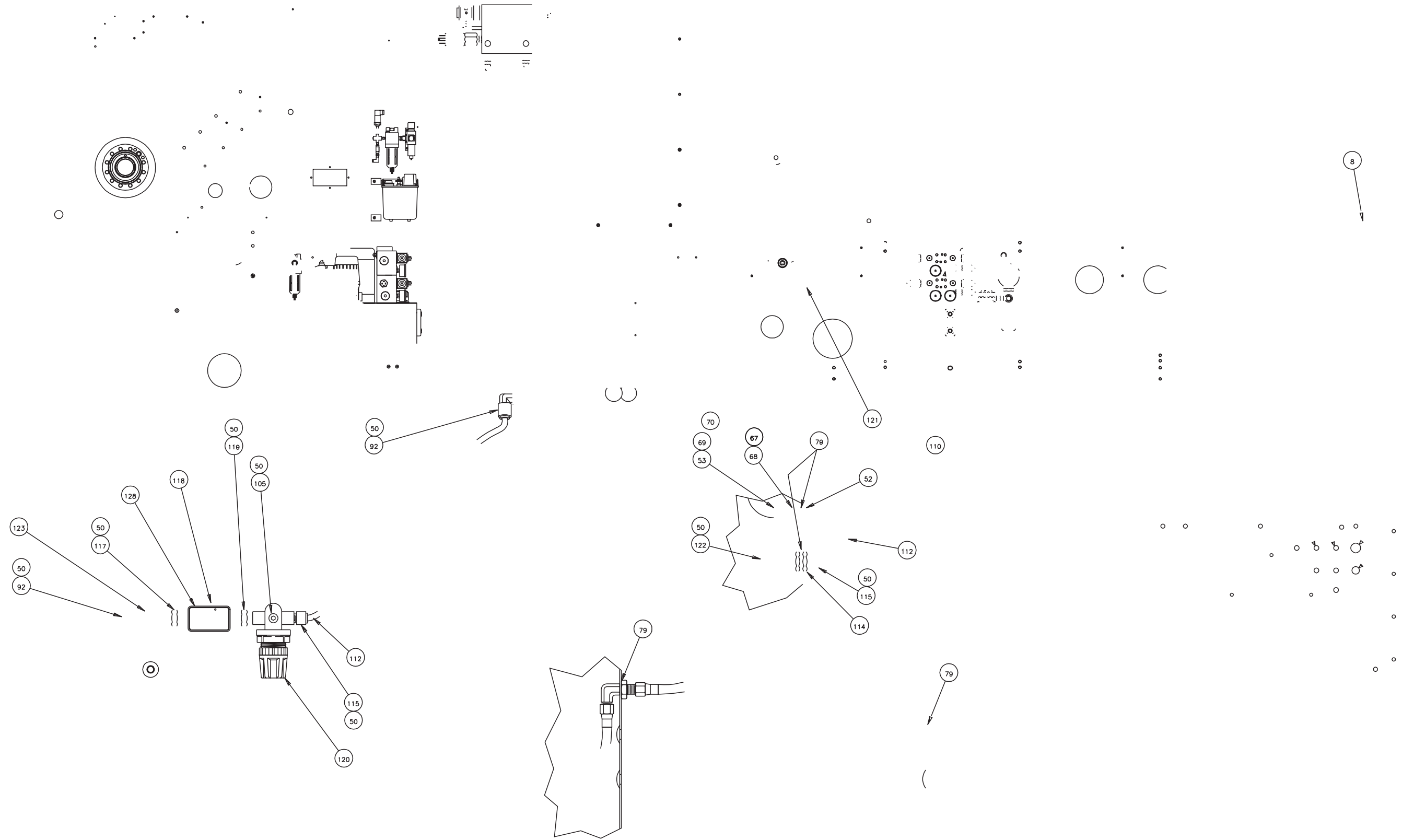
FRONT VIEW OF SKIRT

64	NC 0010884	.01	LOCTITE #242-31
63	MS-0153815	2	M8-1.25, HHCS x 10mm
62	LC-0007703-06	2	BULKHEAD, 1/8 MNPT x 7/16
61	LC-0007703-08	3	NUT, BULKHEAD
60	R-0008044	4	PIN, ESCUTCHEON
59	LC-0010366-11	1	TAG, TAILSTOCK LIFT
58	LC-0011259-P2DC	1	DUST CAP, 1/4 QUICK DISCO
57	LC-0011259-C2DP	1	DUST PLUG, 1/4 QUICK DISC
56	LC-0011259-P1DC	2	DUST CAP, 1/8 QUICK DISCO
55	LC-0011259-C1DP	2	DUST PLUG, 1/8 QUICK DISC
54	LC-0007702-32	2	MALE CONNECTOR, 1/4 BSPP
53	LC-0000133-SRCE	1	S.R.KIT, RWE17997A00/ZN20
51	LC-0007007-06	1	ASSEMBLY, TUBING LUBRICAT
50	LC-0007007-05	1	ASSEMBLY, TUBING STEADYRE
49	LC-0007007-04	1	ASSEMBLY, TUBING STEADYRE
48	MW-0103610	2	M6, WASHER FLAT
47	MS-0303617-SA	2	M6x1.0 SCREW W/ STAR WASH
46	CH-0009623-01	9	CLAMP, WECKESSER 1/4-6 NY
44	GE-0010884	.02	SILICONE, GE
43	AH-0009910	5	TIE WRAPS
42	LC-0003325-01SR	1	LUBE USA AMO GEAR PUMP
41	0424208	9	SCREW, #10x1 SELF TAP HX
40	LC-0001990-SB65	1	BRACKET, MOUNTING
39	MS-0303616-SA	2	M6 SCREW, BUTT HD x 12MM
38	LC-0011259-P2	1	PLUG, 1/4" FNPT
37	LC-0011259-C2	1	COUPLER, 1/4" FNPT
36	LC-0011259-P1	2	PLUG, 1/8" FNPT
35	LC-0011259-C1	2	COUPLER, 1/8" FNPT
34	LC-0007702-24	1	FEMALE CONNECTOR, 1/4 FNP
33	LC-0007702-23	1	SWIVEL CONNECTOR, 7/16 JI
32	LC-0007702-22	3	90 DEG BULKHEAD, 7/16 JIC
30	LC-0007703-07	1	BULKHEAD, 1/4 MNPT x 7/16
25	RH-0011622-01	3	SLEEVE, COIL PLASTIC
23	LC 0001990HS	1	HANDLE, STEADYREST
22	AD-0011338-04	1	ELBOW, 1/8 MNPTx 7/16 JIC
21	CL-0002840-04	1	SEAL, COPPER
20	CL-0011259-12	1	ADAPTER, M10X1-1/8 NPT
19	5 0001467	1	PLUG, 1/8 PIPE, 3/16 HEX
18	SB-0010884-S	.10	SEALANT, PIPE
17	MS-0104223	2	M12 x 1.75 x 45 SCREW, SH
16	MW-0194210	2	M12 WASHER, LOCK
15	MW-0144210	2	M12 WASHER, FLAT SMALL OD
14	LC-0007702-31	1	PLUG-1/8-28 BSPP
13	MW-0193810	1	WASHER, LOCK M8
12	MW-0104010	4	M10 WASHER, FLAT
11	MW-0194010	4	M10 WASHER, LOCK
10	CL-0010794	4	MODIFIED M10 SCREW, STEAD
9	MW-0103810	1	M8 WASHER, FLAT
8	MS-0153820	1	M8-1.25, HHCS x 30mm
7	CL-0011320	1	BLOCK, POSITIONING
6	MS-0573815	2	M8 SCREW, SSFP x 10mm
5	CL-0003990-6A	1	SUPPORT ASSEMBLY
4	LC-0011603-65	1	ROD
3	CL-0000011-01	1	STEADY REST ROHM
2	LCA00006665	1	FRAME, STEADY REST
1	LC-0009623-165	1	CLAMP, STEADY REST
ITEM	PART NUMBER	QTY	DESCRIPTION



Tailstock Assembly





Tailstock Assembly

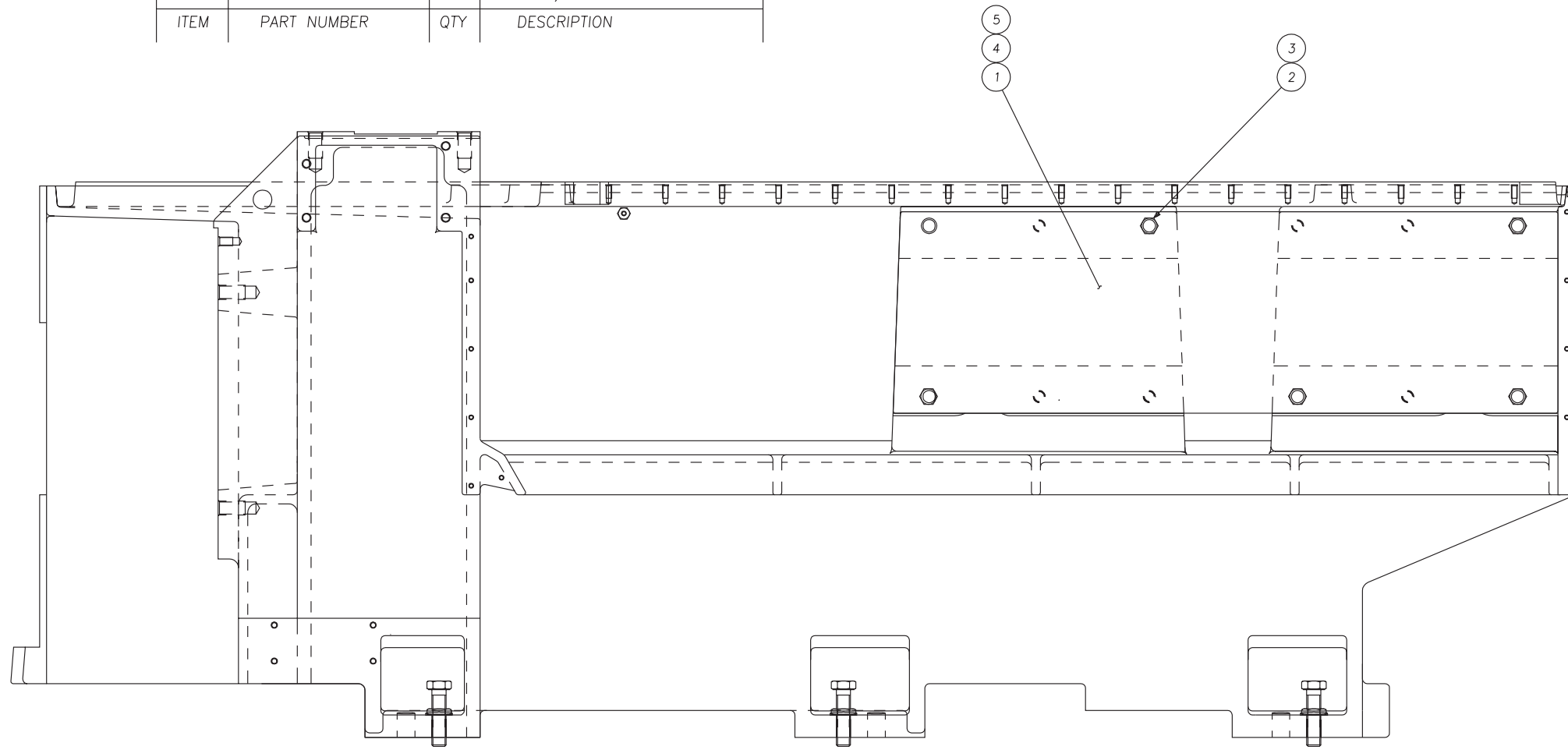
NOT SHOWN:



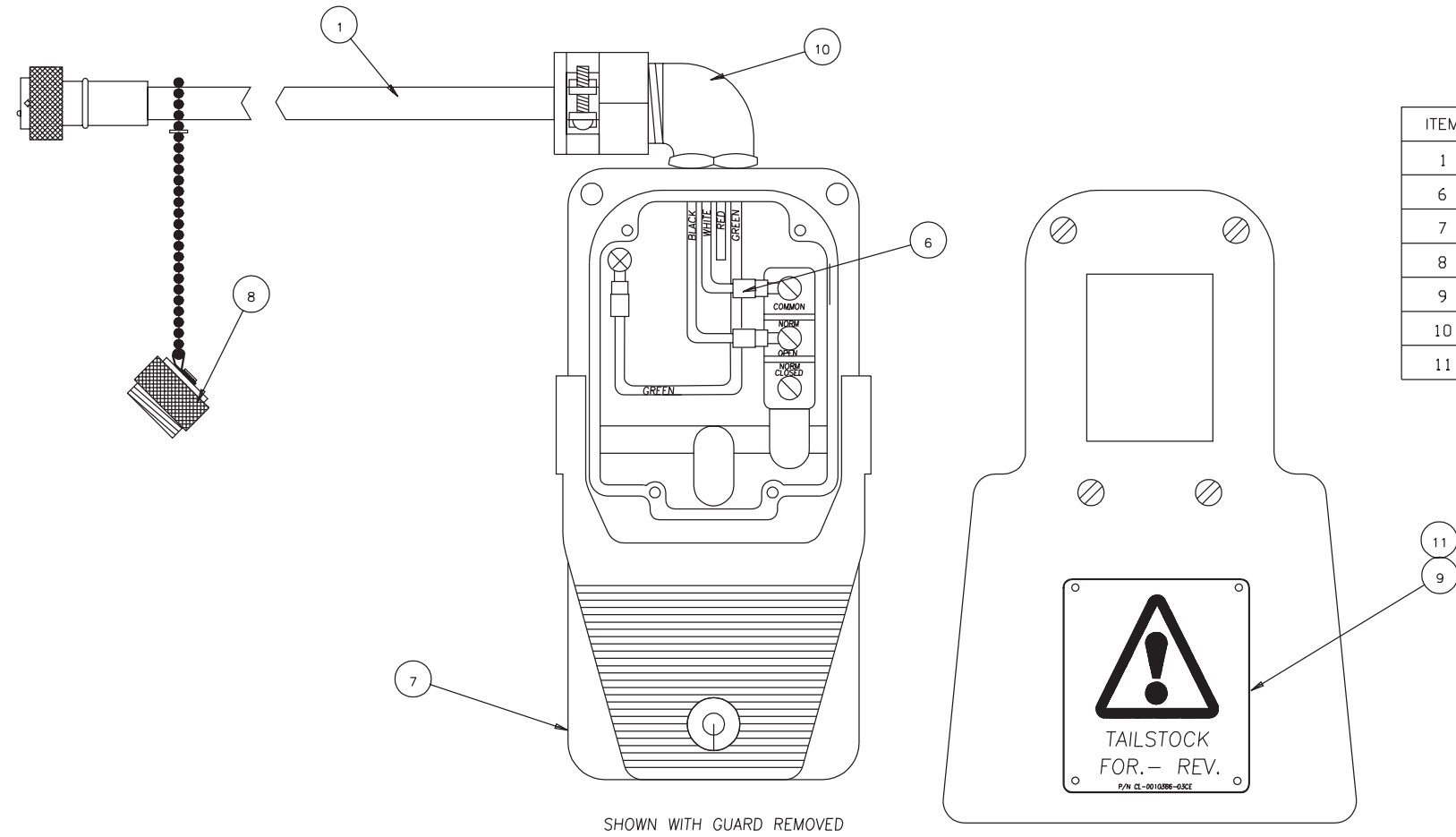
129	S-0010700-03	1	PLUG, LEE 7/32"
128	LC-0010366-10	1	TAG, MIST LUBE
127	R-0008044	4	PIN, ESCUTCHEON
126	LC-0010366-09	2	TAG, TAILSTOCK LIFT
125	GK 0010884	.02	ULTRA-BLUE
123	CC 000770301	1	ADAPTER BULKHEAD
122	ST-0007703	1	90° CONN, 1/8 NPT x 1/4
121	AH-0009910	5	TIE WRAPS
120	AH-0010779	1	AIR REGULATOR
119	VL-0003504	1	NIPPLE REDUCER, 1/4 NPT x
118	CNB-0010779-LA	1	AIR, OILER
117	AO-0007710	1	HEX NIPPLE, 1/4 NPT x 1/4
115	FR-0007702-04	2	CONNECTOR, 1/8 NPT x 1/4
114	CN-0007703	1	ANCHOR COUPLING, 1/8 NPT
113	CL-0009938	12	INSULATING SLEEVE
ITEM	PART NUMBER	QTY	DESCRIPTION

112	HG-0007007-02	17	TUBING, 1/4"
110	LCA-0000133-TSCE	1	TAILSTOCK KIT
105	5-0001467	2	PLUG, 1/8 PIPE, 3/16 HEX
104	FR-0007702-03	2	90° CONN, 1/8 NPT x 1/4
103	MW-0103410	2	WASHER, M4 FLAT
102	MW-0183410	2	WASHER, M4 LOCK
101	MS-0103421	2	M4 SCREW, SHCS x 35mm
100	LC-0003048-06	1	1/8" FNPT MAC VALVE MANUA
97	LC-0001990-TS65	1	COVER, TAILSTOCK
96	MW-0183510	11	M5 WASHER, LOCK
95	MS-0303516	11	M5 SCREW, BUTT HD x 12mm
94	LC-0001990-TB65	1	COVER, TAILSTOCK BODY
93	CD-0004899	2	DOWEL PIN 1/4" x 0.63 LG
92	FR-0007702-02	3	ELBOW, 1/4NPT X 1/40.D.
91	LC-0009001-65	1	SHIM, TAILSTOCK
90	MS-0104222	3	M12 SCREW, SHCS x 40mm
88	LCA-0003650GE40	1	SWITCH, NAME PLATE
87	LC-0003650-GE33	1	SWITCH, NAME PLATE
85	LC-0003650-GE17	1	SWITCH, 3 POSITION
84	LC-0003650-GE01	2	SWITCH, CONTACT BLOCK
83	LC 0003650GE12	1	SWITCH, NAMEPLATE
79	GE-0010884	.03	SILICONE, GE
76	MW-0194210	3	M12 WASHER, LOCK
73	MW-0103510	11	M5 WASHER, FLAT
70	DB-0009207-W	1	WASHER
69	SB-0009532	1	GROMMET, 2 x .156
68	DB-0009207-9A	1	BODY, 1/2"
67	50-0010226	1	SEALING RING, 1/2"
54	LC-0001990-52	2	STOP, TAILSTOCK
53	DB-0009207-9B	1	NUT, PLAIN
52	AH-0011508	1	LOCKNUT, 1/2"
50	LT-0010884-S	.12	SEALANT, PIPE
33	CS-0010994	.2	GREASE
31	MW-0193810	32	M8 WASHER, LOCK
28	LC-0000574-65	1	SUB-BASE, TAILSTOCK
27	LC-0009623-65	1	CLAMP, TAILSTOCK
26	MS-0104223	3	M12 SCREW, SHCS x 45mm
25	MS-0104221	1	M12 SCREW, SHCS x 35mm
24	CS-0003230-02	1	WASHER, CLAMP
23	NC-0010884	2	LOCTITE ADHESIVE
22	LC-0011304	1	SLEEVE, ECCENTRIC
21	CL-0011052	1	PIVOT
20	MW-0144210	3	M12 WASHER, FLAT
18	CS-0007007	3	TUBING - BIJUR #5N25
17	CD-0004900	1	PIN, DOWEL 5/16 x 3/4 LG
14	MS-0103820	32	M8 SCREW, SHCS x 30mm
13	MS-0103816	4	M8 SCREW, SHCS x 12mm
12	RH-0011622-01	3	SLEEVE, COIL PLASTIC
11	MS-0104625	12	M16 SCREW, SHCS x 55mm
10	SG-0002840	12	WASHER, HARDENED M16
8	LCA-0010366-61CE	1	TAG, TAILSTOCK PR/FORCE
7	CS-0003230-01	3	WASHER, TAILSTOCK BASE
6	LC-0000003-65SA	1	SUB ASSEMBLY, TAILSTOCK
3	LC-0008042-65Z	1	BED PLATE - Z, TAILSTOCK
2	S-0010700-07	2	PLUG, LEE 9/32"
1	LC-0000262-65T	1	BASE, TAILSTOCK
ITEM	PART NUMBER	QTY	DESCRIPTION

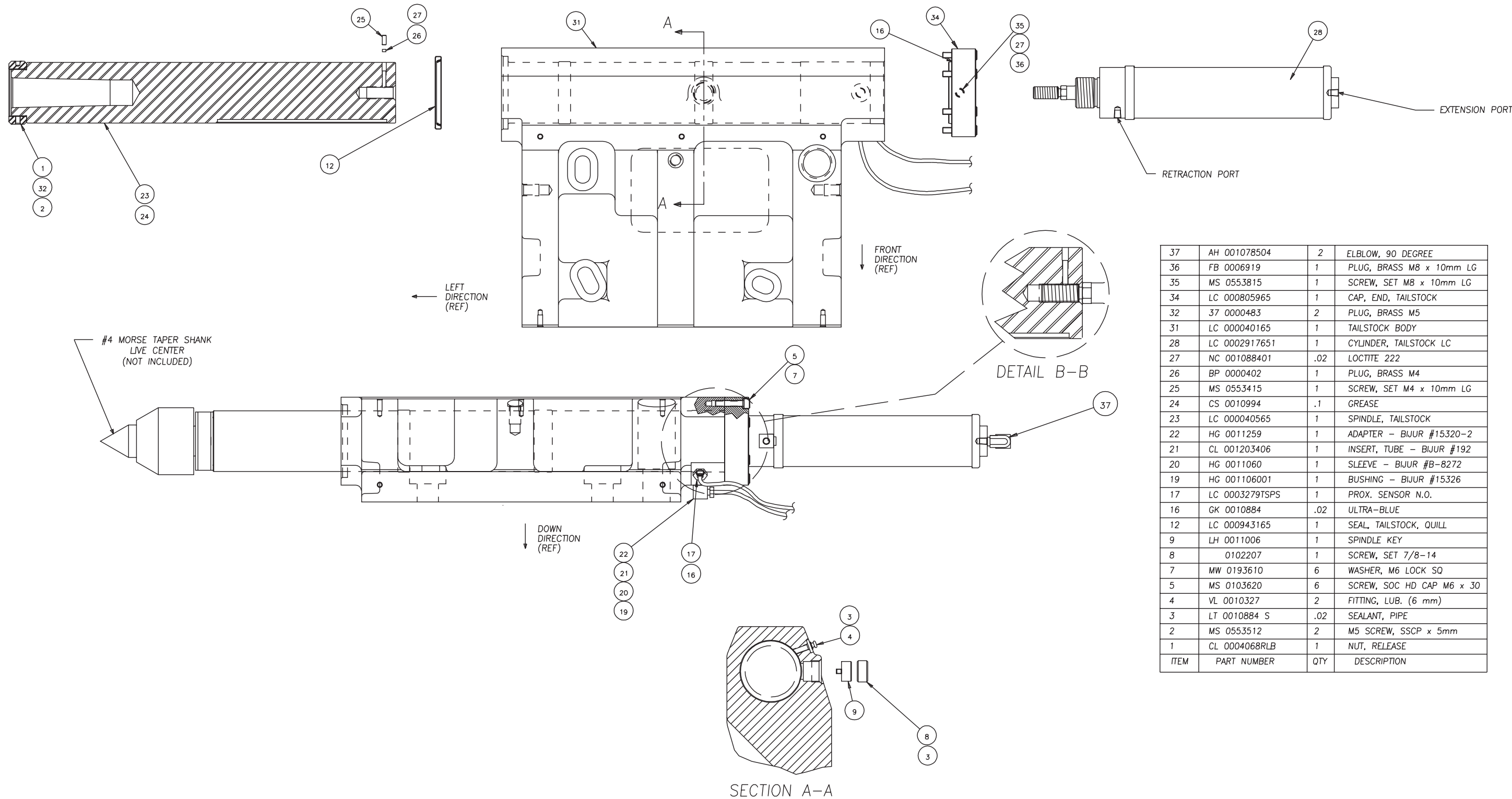
5	GK-0010884	.1	ULTRA-BLUE
4	CS-0010994	.1	GREASE, MOBIL 28
3	SB-0010884-S	.01	SEALANT, HYDRAULIC PIPE
2	MS-0154618	6	SCREW, M16 HEX HD x 20mm
1	LC-0010115-LT65	1	COVER, LESS TAILSTOCK
ITEM	PART NUMBER	QTY	DESCRIPTION



Tailstock Foot Switch Assembly

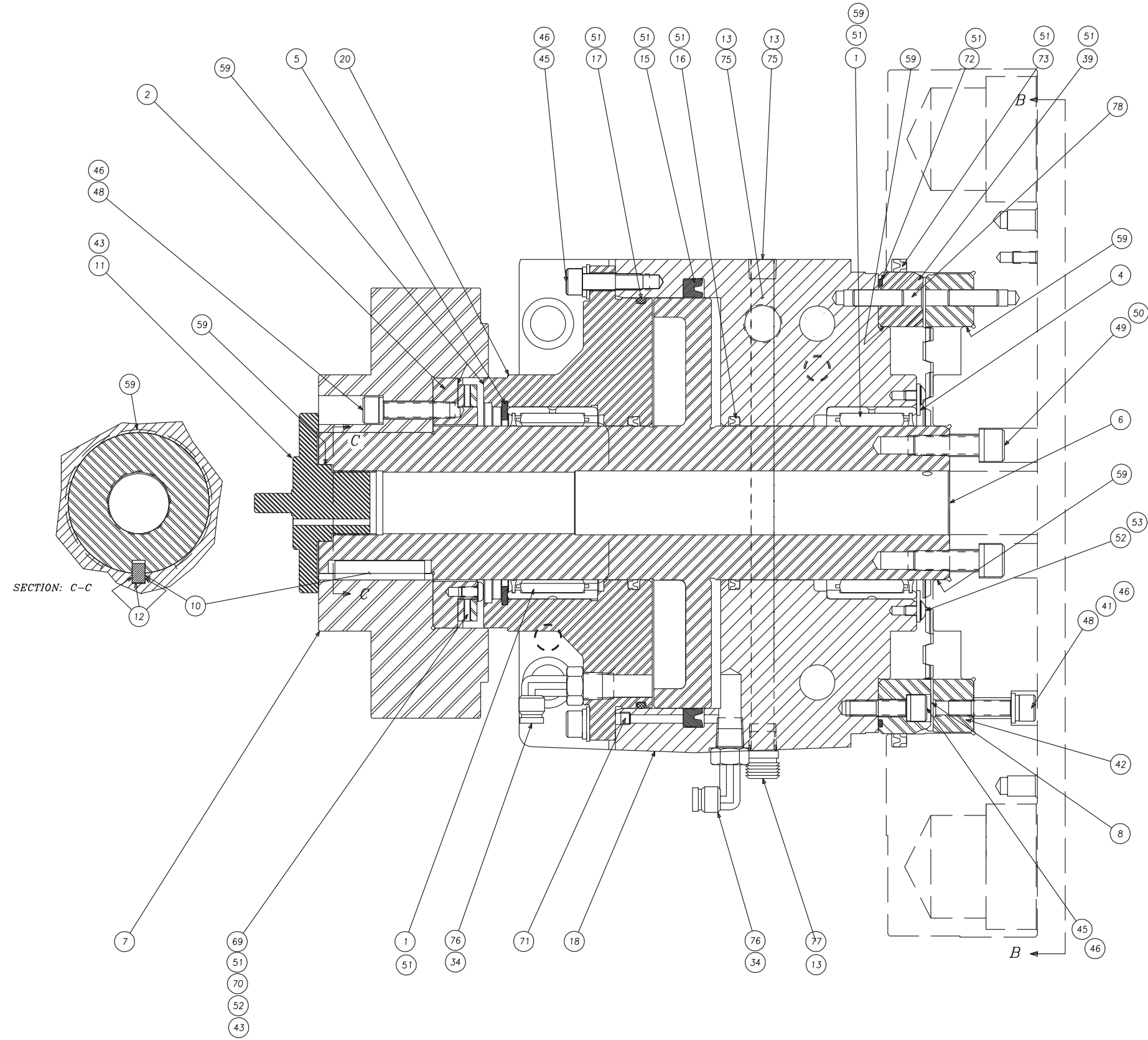


ITEM	PART NUMBER	QUANTITY	DESCRIPTION
1	CL 0003011J2	1.000	CABLE J2
6	8630009188	3.000	STAKON
7	HG 000365001	1.000	SWITCH, FOOT
8	CS 001204216	1.000	PLUG
9	CL 001036603CE	1.000	TAG
10	HG 0010042	1.000	STRAIN RELIEF
11	R 0008044	4.000	PIN, ESCUTCHEON



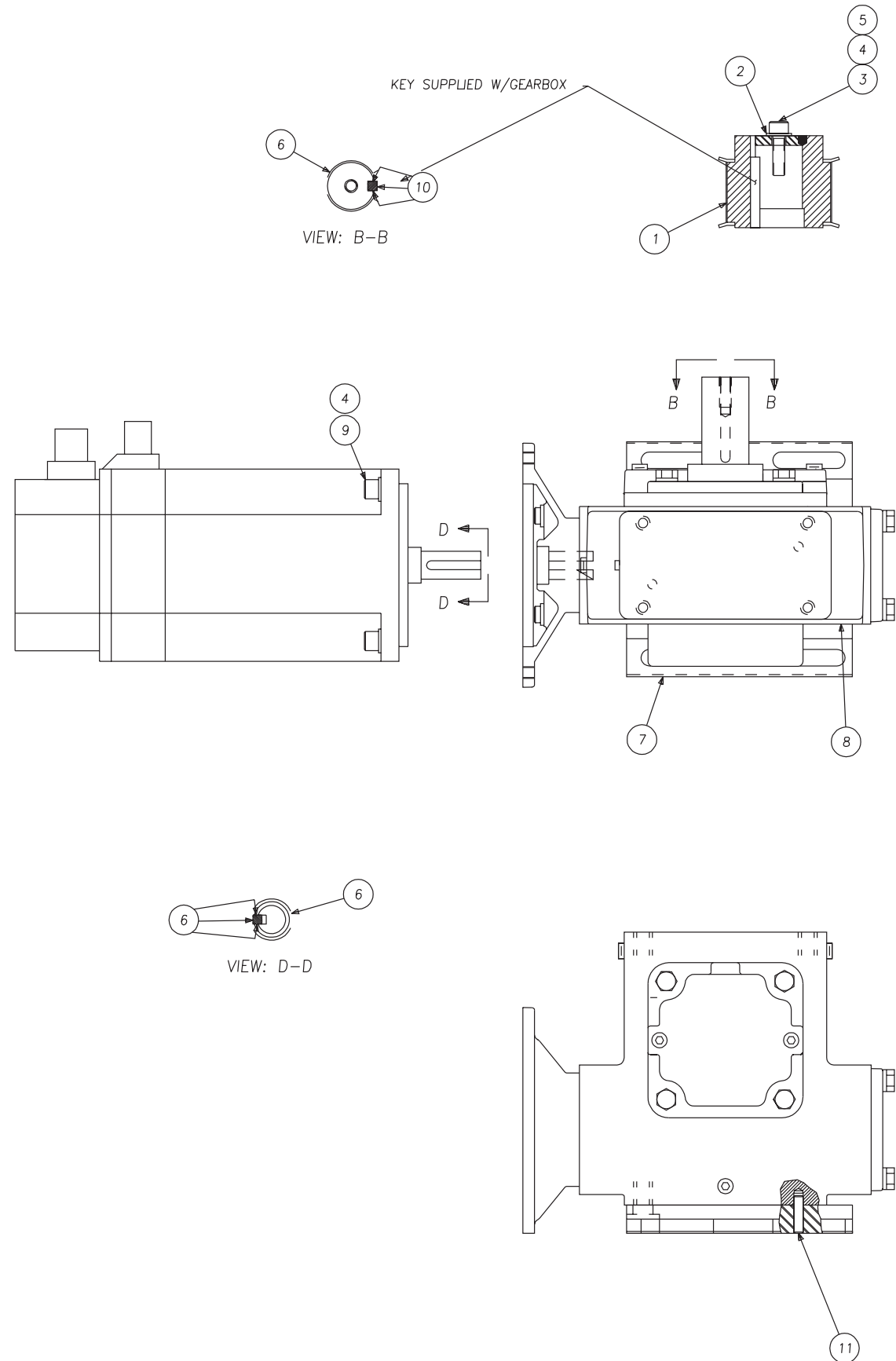
37	AH 001078504	2	ELBLOW, 90 DEGREE
36	FB 0006919	1	PLUG, BRASS M8 x 10mm LG
35	MS 0553815	1	SCREW, SET M8 x 10mm LG
34	LC 000805965	1	CAP, END, TAILSTOCK
32	37 0000483	2	PLUG, BRASS M5
31	LC 000040165	1	TAILSTOCK BODY
28	LC 0002917651	1	CYLINDER, TAILSTOCK LC
27	NC 001088401	.02	LOCTITE 222
26	BP 0000402	1	PLUG, BRASS M4
25	MS 0553415	1	SCREW, SET M4 x 10mm LG
24	CS 0010994	.1	GREASE
23	LC 000040565	1	SPINDLE, TAILSTOCK
22	HG 0011259	1	ADAPTER - BIJUR #15320-2
21	CL 001203406	1	INSERT, TUBE - BIJUR #192
20	HG 0011060	1	SLEEVE - BIJUR #B-8272
19	HG 001106001	1	BUSHING - BIJUR #15326
17	LC 0003279TSPS	1	PROX. SENSOR N.O.
16	GK 0010884	.02	ULTRA-BLUE
12	LC 000943165	1	SEAL, TAILSTOCK, QUILL
9	LH 0011006	1	SPINDLE KEY
8	0102207	1	SCREW, SET 7/8-14
7	MW 0193610	6	WASHER, M6 LOCK SQ
5	MS 0103620	6	SCREW, SOC HD CAP M6 x 30
4	VL 0010327	2	FITTING, LUB. (6 mm)
3	LT 0010884 S	.02	SEALANT, PIPE
2	MS 0553512	2	M5 SCREW, SSCP x 5mm
1	CL 0004068RLB	1	NUT, RELEASE
ITEM	PART NUMBER	QTY	DESCRIPTION

Turret Assembly

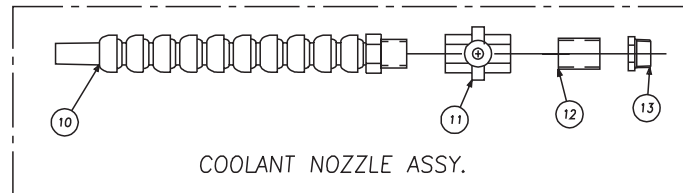


78	NC-0006709	2	PIN, DOWEL
77	KH-0008384	1	ADAPTER, NPT x BARB
76	SG-0007702-A9	2	MALE SWIVEL ELL 1/4"
75	TM-0006992	2	PLUG, PIPE 1/2" NPT
73	LC-0011198-02	1	SEAL, POLYPAK
72	OR 0136139	1	O-RING, 8.487 I.D.
71	S-0010700-03	2	LEE PLUG, 218 SHORT
70	LC-0011157	2	WASHER, THRUST
69	LC-0004749	1	BEARING, THRUST
59	VS-0010440	6.999999	NON-SIEZE
53	NC-0010884-01	.01	LOCTITE 222-31
52	MS-0303514	10	SCREW, M5-0.8 BUT HD x 8m
51	CS-0010994	8.999999	GREASE, MOBIL 28
50	MW-0194010	8	WASHER, M10 LOCK
49	MS-0104021	8	SCREW, M10 SOC HD CP x 35
48	MS-0103821	16	SCREW, M8-1.25 SOC HD CP
46	MW-0193810	36	WASHER, M8 LOCK SQ
45	MS-0103820	20	SCREW, M8 SOC HD CP x 30m
43	NC-0010884	.02	LOCTITE 242
42	LC-0011792-65TP	1	COUPLING, TOP PLATE (12 S
41	MW-0103810-H	12	WASHER, M8 FLAT
39	LC-0011792-65H	1	COUPLING, HOUSING (12 STA
34	LT-0010884-S	.2	SEALANT, PIPE
20	LCA-0010768	1	CAP, REAR PISTON
18	LC-0007201-65	1	HOUSING, TURRET
17	OR-0123128	1	O-RING, 7.734ID x .139 CS
16	LC-0011138-03	2	SEAL, 3" CUP
15	LCC001113808	1	SEAL, 8" CUP
13	SB-0010884-S	.3	SEALANT, HYDRAULIC
12	SL-0010884	.1	LOCTITE 635
11	LC-00009487	1	STUD, ENCODER
10	LC-0007306	1	KEY, PISTON
8	LC-0012076	.007	WAX, PROTECTIVE
7	LC-9003177-65	1	PULLEY, DRIVEN
6	LC-0011455	1	PISTON
5	375-0008231	1	RING, RETAINING 3-3/4ID
4	LC-0011487	1	BEARING KEEPER
2	LC-0009653	1	RETAINER, THRUST BEARING
1	LC-0004145	2	BEARING, NEEDLE
ITEM	PART NUMBER	QTY	DESCRIPTION

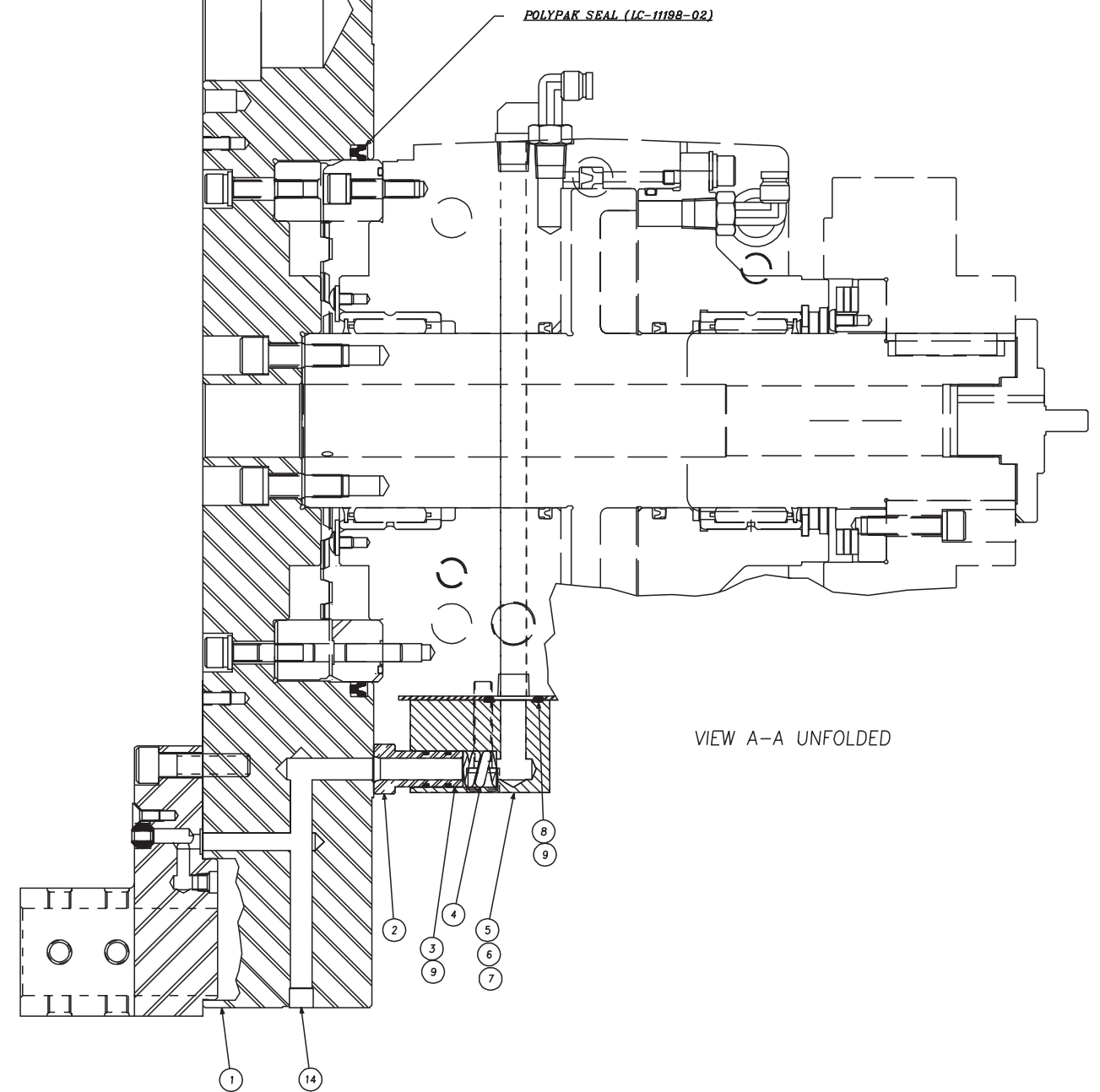
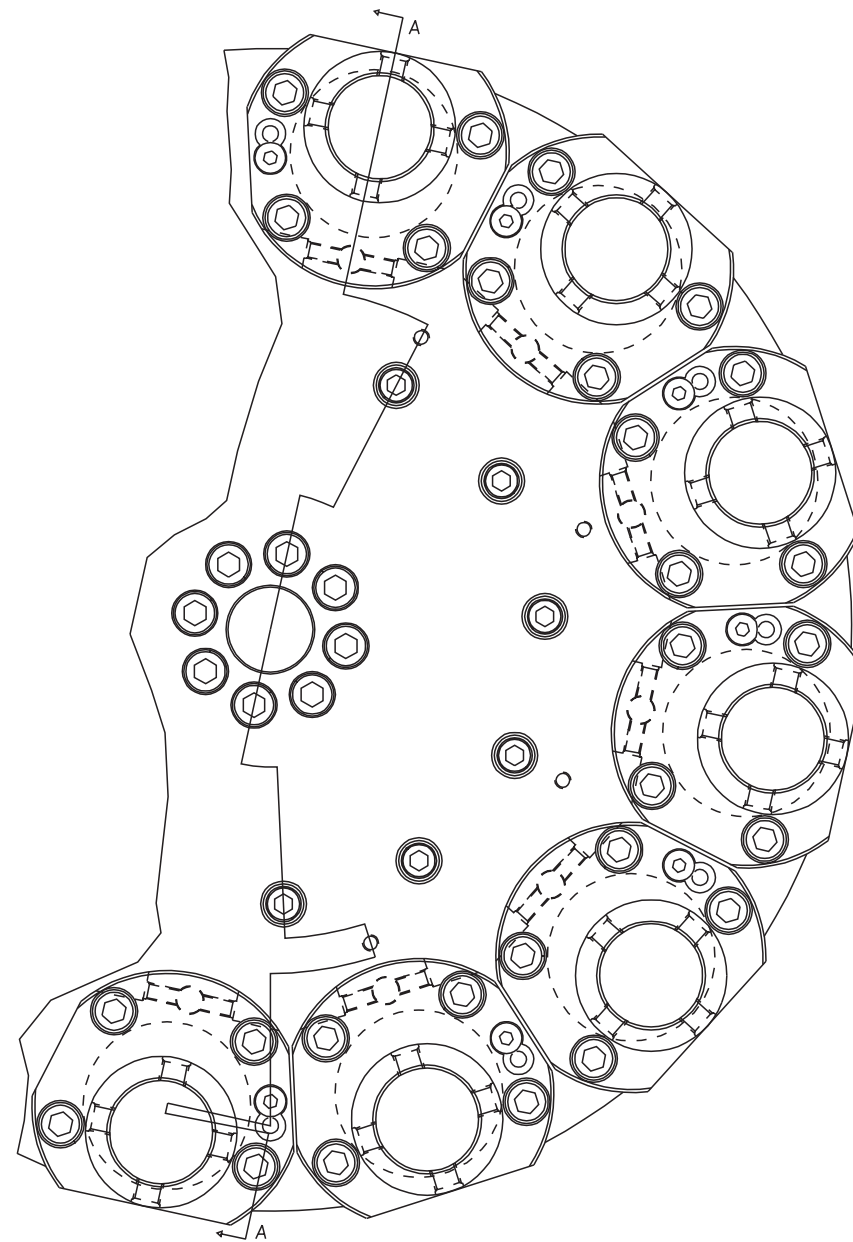
Turret Drive Assembly



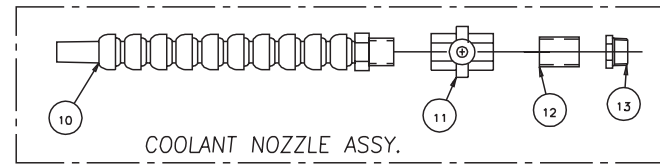
11	NT-0006708	2	PIN, PULL OUT DOWEL
10	SL-0010884	.1	LOCTITE 635
9	MS-0103819	4	M8 SCREW, SHCS x 25mm
8	LC-0006199-65	1	GEARBOX, MODEL 924
7	LC-0003990-651	1	BRACKET, WORM DRIVE
6	VS-0010440	0.01	ANTI-SIEZE
5	NC-0010884	0.01	LOCTITE 242
4	MW-0193810	5	M8 WASHER, SQ LOCK
3	MS-0103820	1	M8 SCREW, SHCS x 30mm
2	MW-0103810	1	M8 WASHER, FLAT
1	LC-0003177-6528	1	PULLEY, 28 TOOTH
ITEM	PART NUMBER	QTY	DESCRIPTION



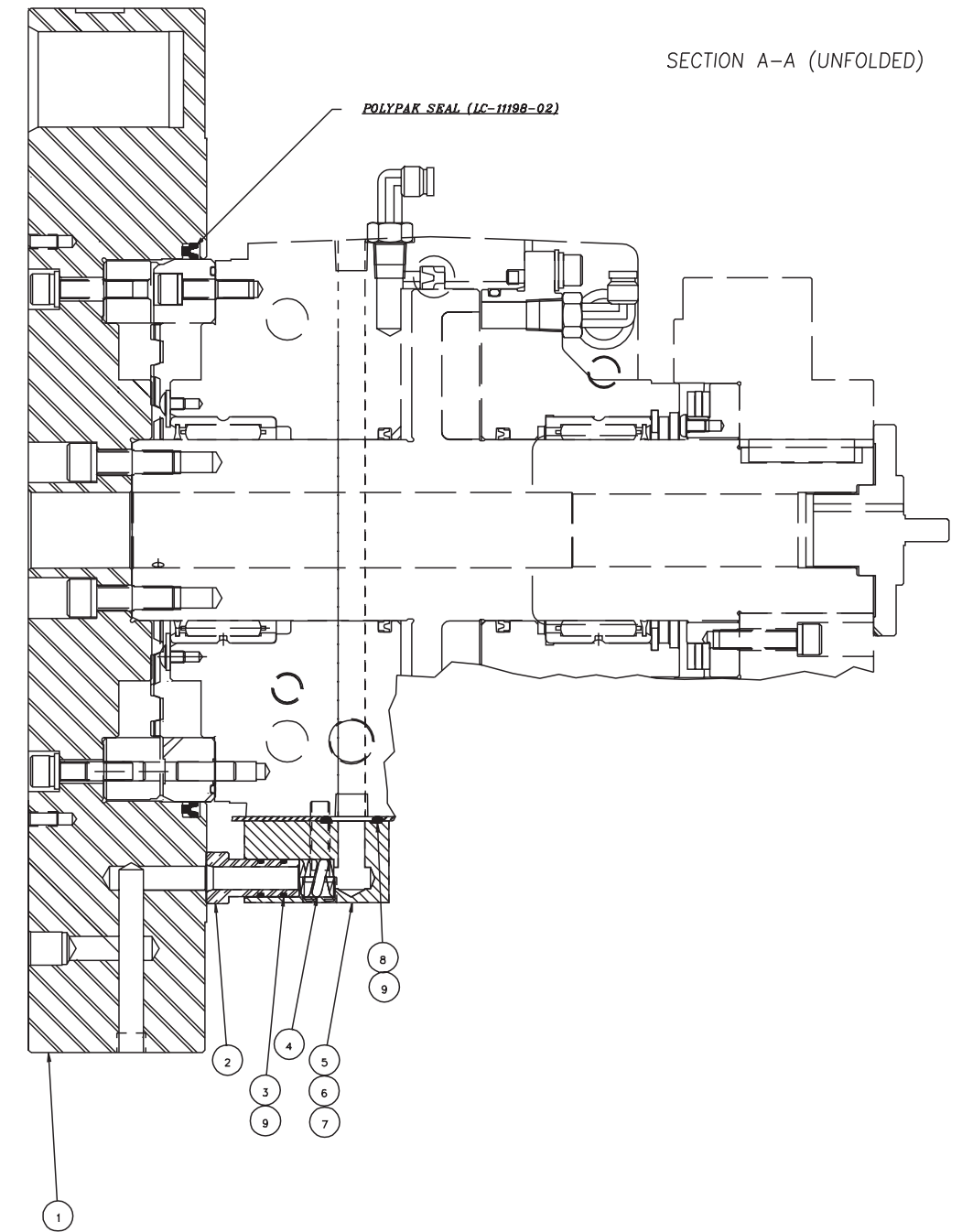
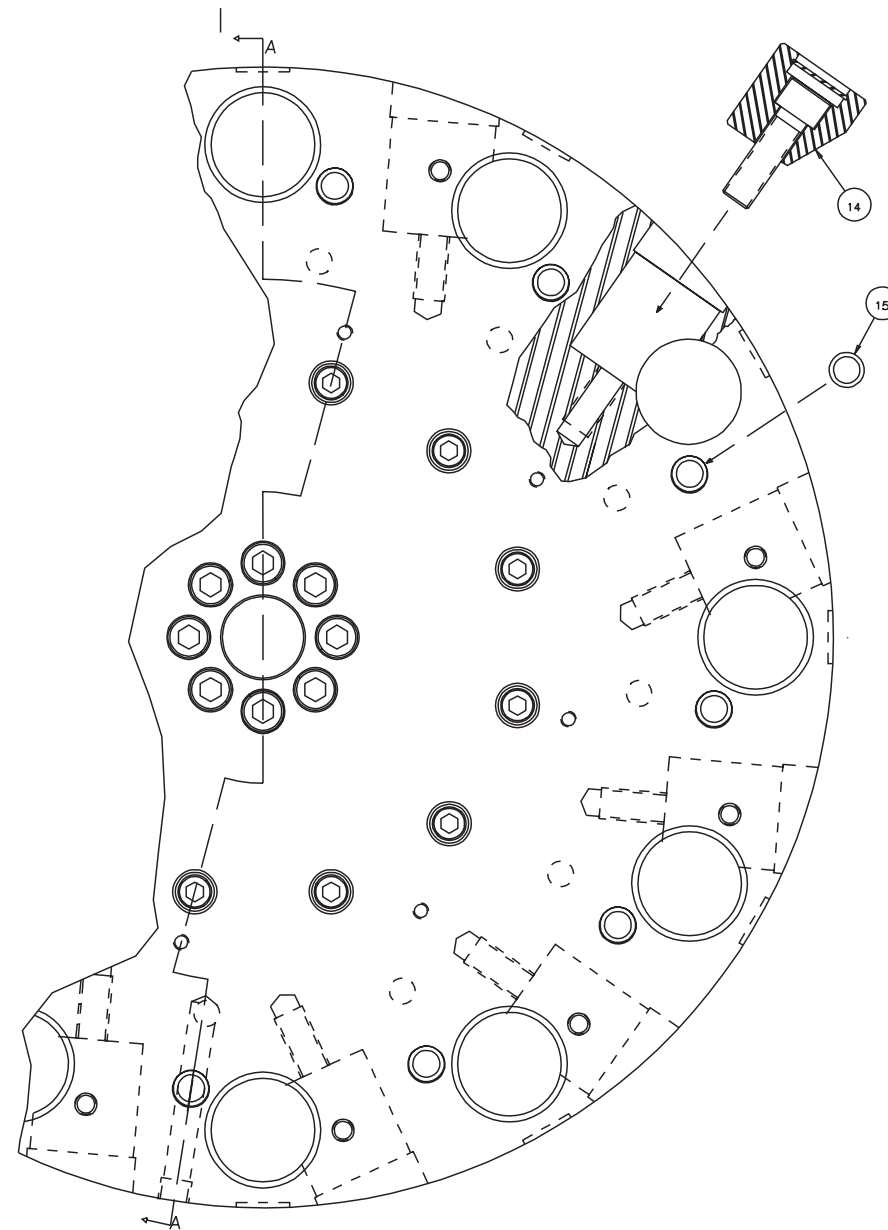
14	S-0010700-09	12	PLUG
13	LC-0011259-01	1	BUSHING, 3/8" TO 1/2"
12	CN-0011092	1	NIPPLE, CLOSE
11	CN-0010059	1	BALL VALVE
10	CCA-0007011-C2	1	NOZZLE
9	CS-0010994	.01	GREASE, MOBIL 28
8	OR-0001216	1	O-RING
7	MW-0183810	2	WASHER, LOCK
6	MS-0103822	2	SCREW, SKHC M8X40mm
5	LC-0009813-C	1	BLOCK, COOLANT
4	SG-0009764	1	SPRING
3	OR-0000810	2	O-RING
2	LC-0007011	1	SEAL, COOLANT
1	LCA-0007214-65	1	PLATE, TOP
ITEM	PART NUMBER	QTY	DESCRIPTION

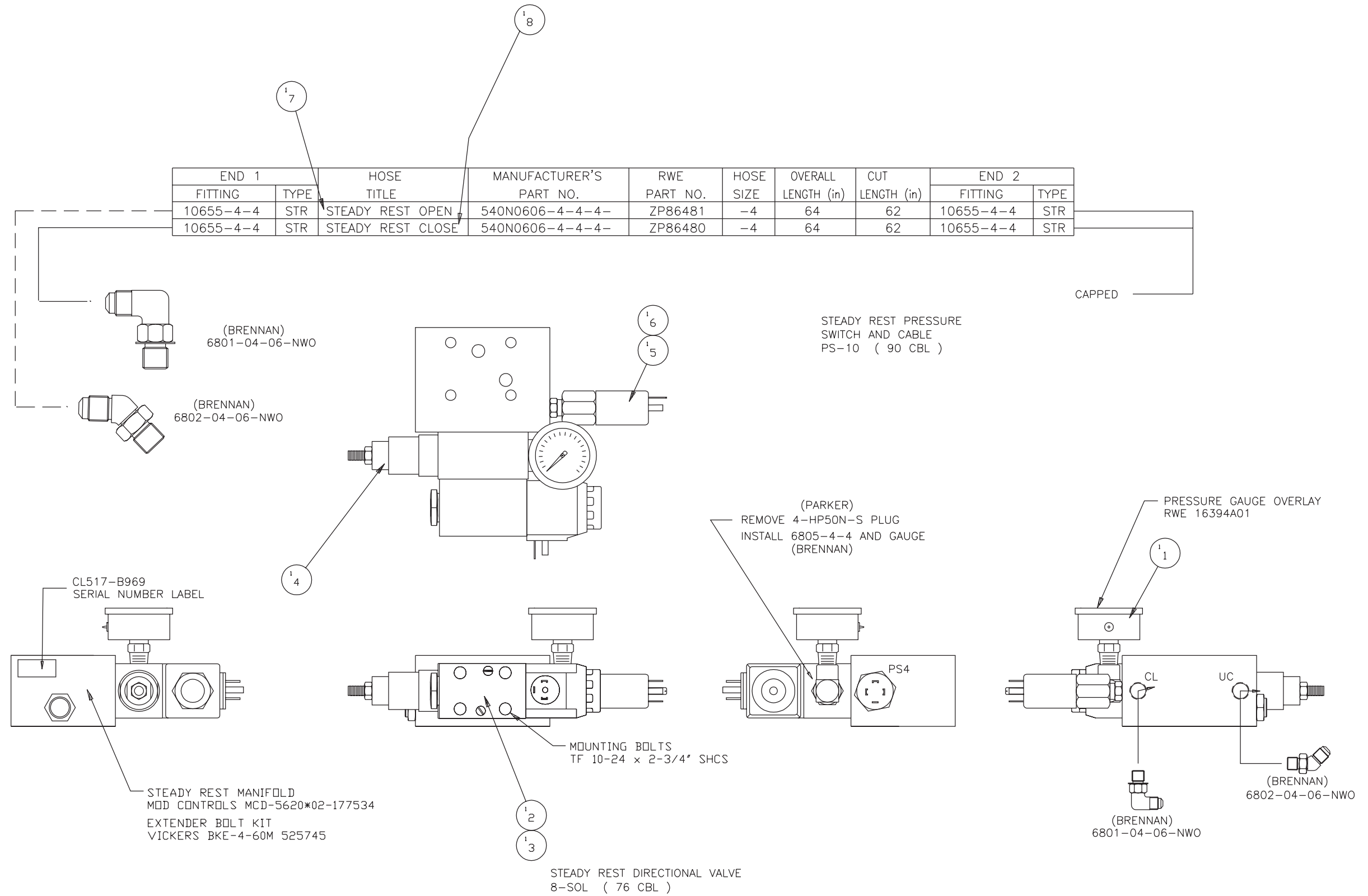


Turret Top Plate Assembly, VDI

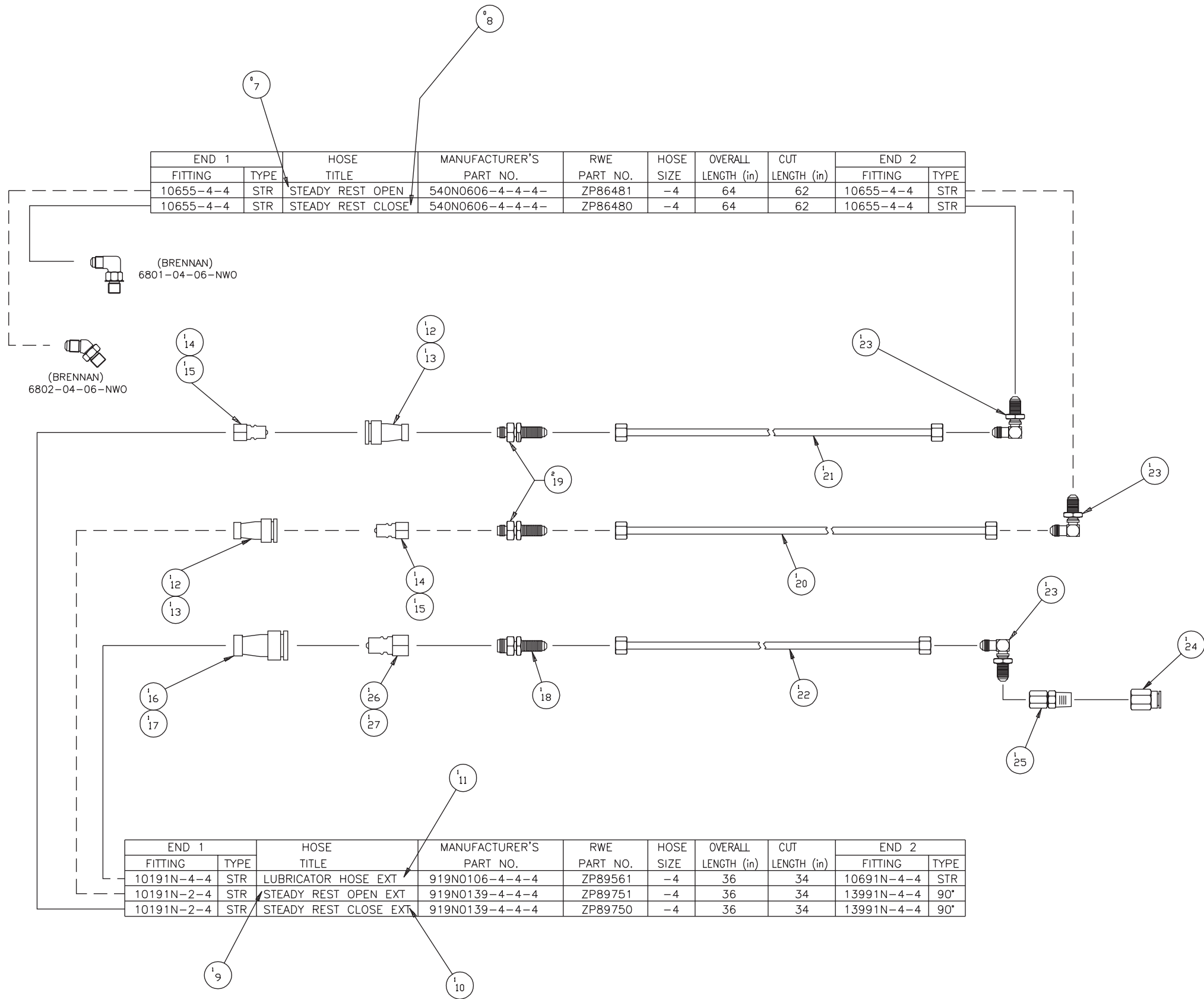


ITEM	PART NUMBER	QTY	DESCRIPTION
15	LC-0007214-65V2	12	INSERTS, CENTERING
14	LC-0007214-65V1	12	CLAMP, VDI TOOLING
13	LC-0011259-01	1	BUSHING, 3/8" TO 1/2"
12	CN-0011092	1	NIPPLE, CLOSE
11	CN-0010059	1	BALL VALVE
10	CCA-0007011-C2	1	NOZZLE
9	CS-0010994	.02	GREASE, MOBIL 28
8	OR-0001216	1	O-RING
7	MW-0183810	2	WASHER, LOCK
6	MS-0103822	2	SCREW, SKHC M8X40mm
5	LC-0009813	1	BLOCK, COOLANT
4	SG-0009764	1	SPRING
3	OR-0000810	2	O-RING
2	LC-0007011	1	SEAL, COOLANT
1	LC0007214-652	1	PLATE, TOP



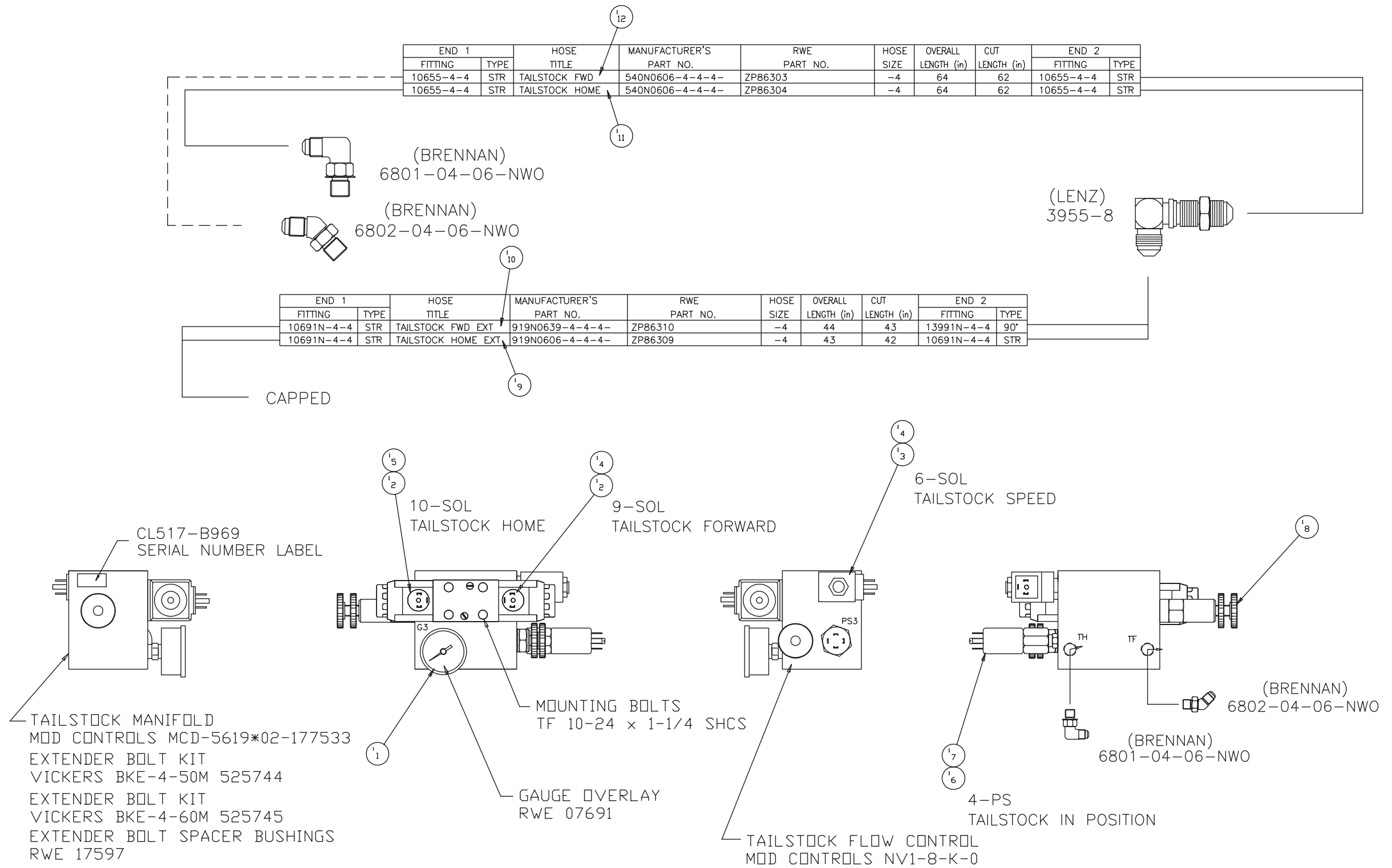


Hydraulic Unit Steady Rest Option



27	LC 0011259P2DC	1.0000	DUST CAP, 1/4 QUICK DISCONNECT
26	LC 0011259P2	1.0000	PLUG, 1/4" FNPT
25	LC 000770223	1.0000	SWIVEL CONNECTOR, 7/16 JIC
24	LC 000770224	1.0000	FEMALE CONNECTOR, 1/4 FNP
23	LC 000770222	3.0000	90° BULKHEAD, 7/16 JIC
22	LC 000700706	1.0000	ASSEMBLY, TUBING LUBRICATOR
21	LC 000700704	1.0000	ASSEMBLY, STEADY REST OPEN
20	LC 000700705	1.0000	ASSEMBLY, STEADY REST CLOSED
19	LC 000770306	2.0000	BULKHEAD, 1/8 MNPT x 7/16
18	LC 000770307	1.0000	BULKHEAD, 1/4 MNPT x 7/16
17	LC 0011259C2DP	1.0000	DUST PLUG, 1/4 QUICK DISCONNECT
16	LC 0011259C2	1.0000	COUPLER, 1/4" FNPT
15	LC 0011259P1DC	2.0000	DUST CAP, 1/8 QUICK DISCONNECT
14	LC 0011259P1	2.0000	PLUG, 1/8" FNPT
13	LC 0011259C1DP	2.0000	DUST PLUG, 1/8 QUICK DISCONNECT
12	LC 0011259C1	2.0000	COUPLER, 1/8" FNPT
11	LC 000700414	1.0000	HOSE, LUBRICATOR EXT
10	LC 000700416	1.0000	HOSE, STEADY REST CLOSE EXT
9	LC 000700415	1.0000	HOSE, STEADY REST OPEN EXT
8	LC 000700413	1.0000	STEADY REST HOSE CLOSE
7	LC 000700412	1.0000	STEADY REST HOSE OPEN
6	LC 000301103	1.0000	CABLE ASSEMBLY #207
5	CSA001173602	1.0000	SWITCH, PRESSURE
4	LC 000304807	1.0000	MODULE, PRESSURE REDUCING
3	LC 000301105	1.0000	CABLE ASSEMBLY #202
2	LC 000883101	1.0000	SOLENOID, S.R. CLAMP
1	CS 0011537	1.0000	GAUGE, PRESSURE (0-1000)
ITEM	PART NUMBER	QUANTITY	DESCRIPTION

Hydraulic Unit Tailstock Option



12	LC 000700407	1.0000	HOSE, TAILSTOCK FWD
11	LC 000700408	1.0000	HOSE, TAILSTOCK HOME
10	LC 000700409	1.0000	HOSE, TAILSTOCK FWD EXT
9	LC 000700410	1.0000	HOSE, TAILSTOCK HOME EXT
8	CS 000304804	1.0000	REGULATOR, PRESSURE
7	LC 000301103	1.0000	CABLE ASSEMBLY
6	CSA001173603	1.0000	SWITCH, PRESSURE
5	LC 000301102	1.0000	CABLE ASSEMBLY
4	LC 000301101	2.0000	CABLE ASSEMBLY
3	LC 0008831	1.0000	SOLENOID, SPEED CONTROL
2	CL 000304806	2.0000	VALVE, MAIN CONTROL
1	CS 0011537	1.0000	GAUGE PRESSURE
ITEM	PART NUMBER	QUANTITY	DESCRIPTION

- NOTES -



“Performance Has Established Leadership for Hardinge”®

Hardinge Inc.

**Elmira, New York 14902-1507 USA
Phone: 607-734-2281 Fax: 607-734-8819
www.hardinge.com**