



PARTS LIST



TP1480B

Cobra™ 42 CNC Lathes

EQUIPPED WITH THE
GE FANUC 21T CONTROL

TO ORDER REPLACEMENT PARTS

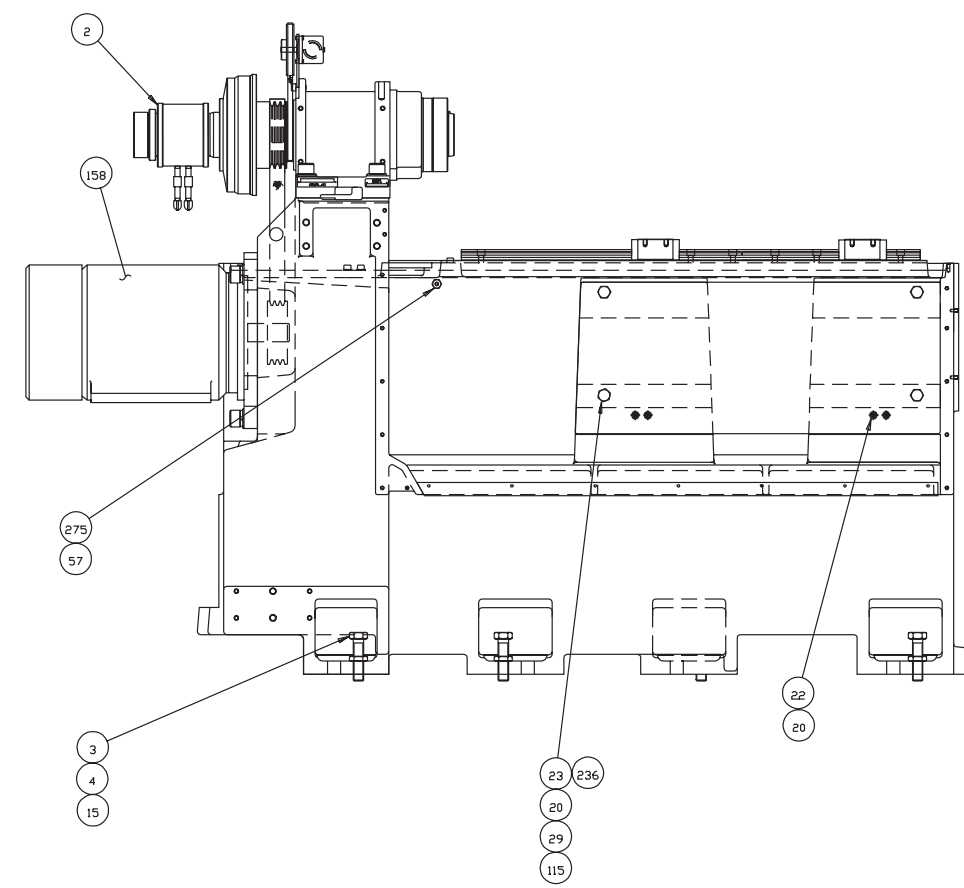
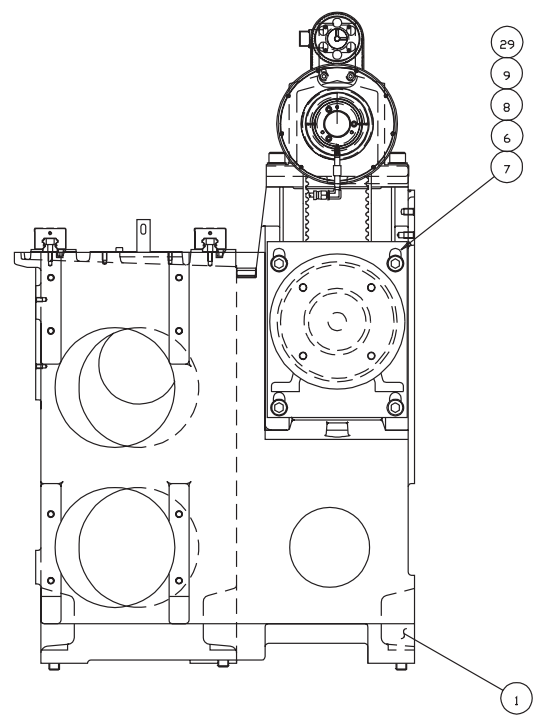
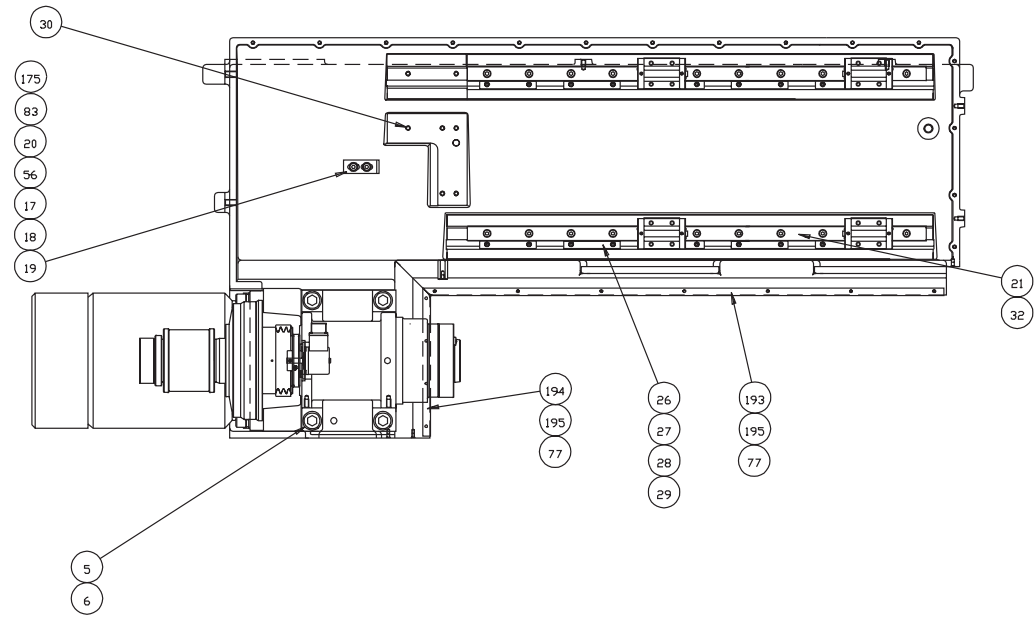
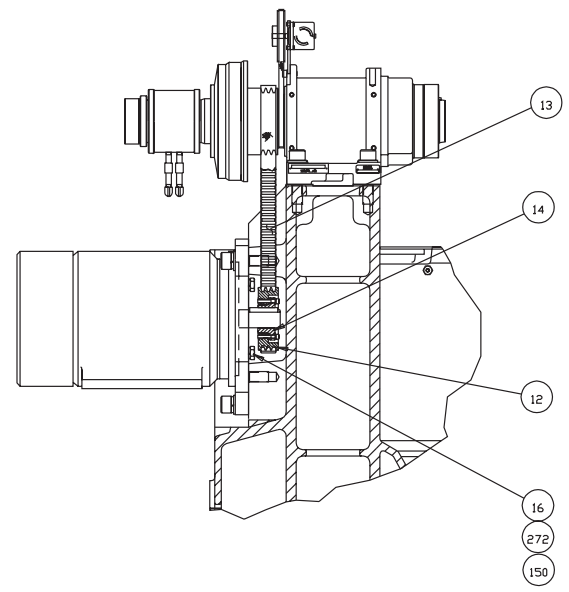
Please provide the following information when ordering replacement parts:

1. The complete machine serial number. The serial number tag is located on the power case door, near the main disconnect switch.
2. List the following:
 - a. Manual Number (PL-71A).
 - b. Page Number.
 - c. Item Number.
 - d. Part Description.
 - e. Part Number.
 - f. Quantity of each part required.
3. Specify how and where to ship.

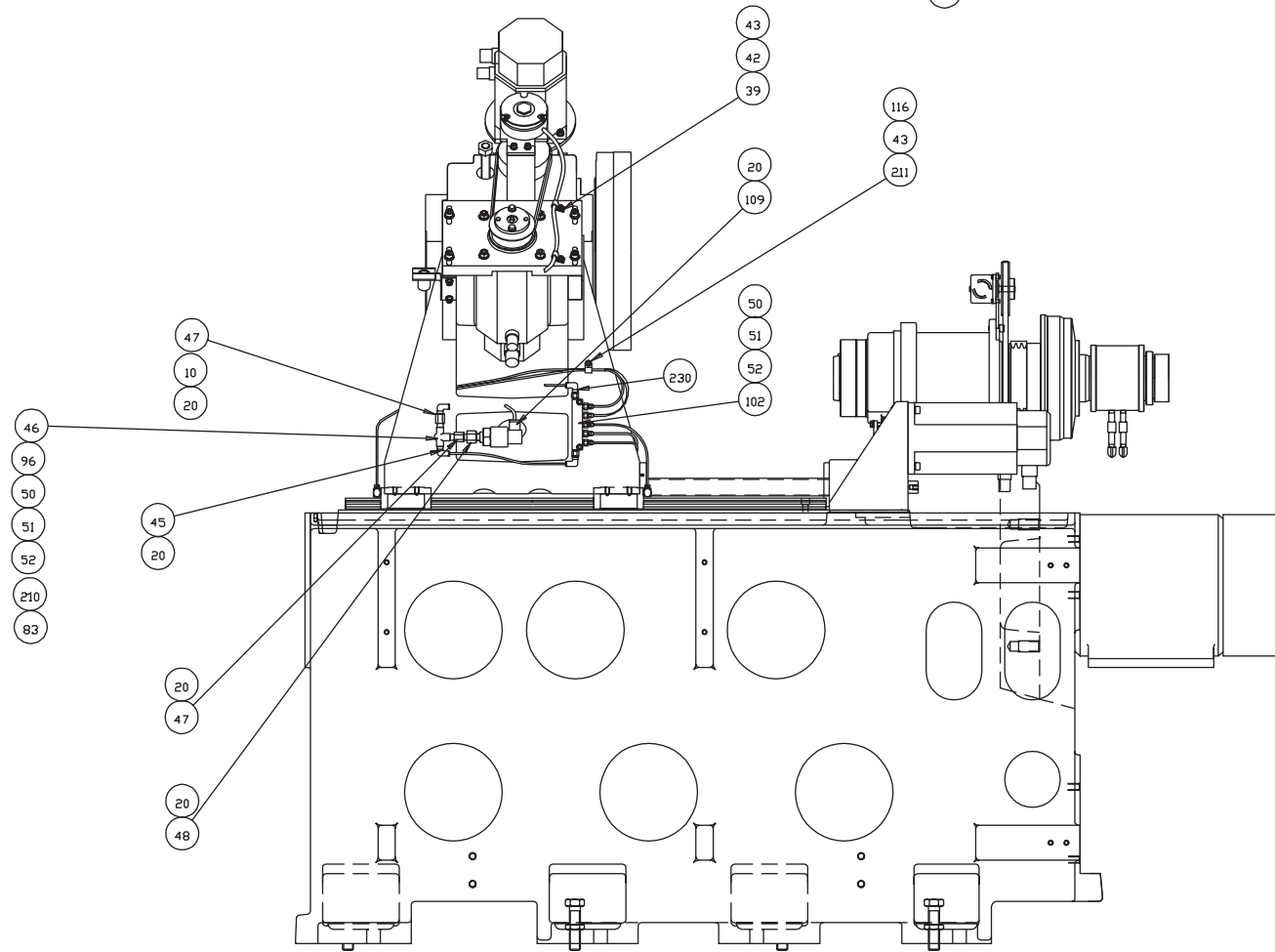
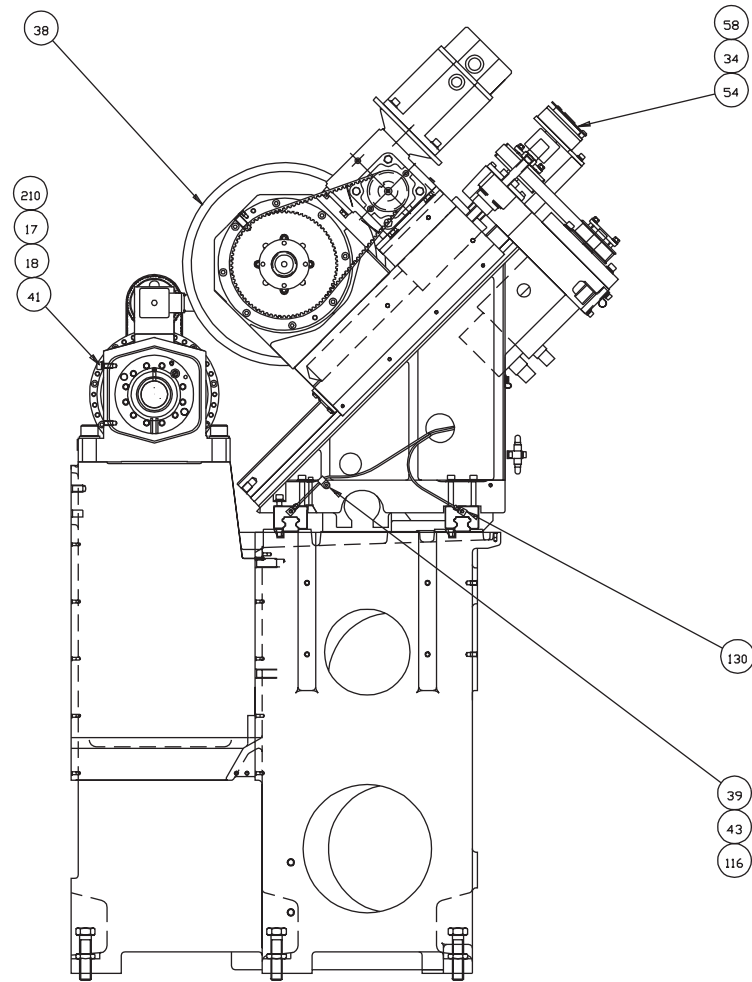
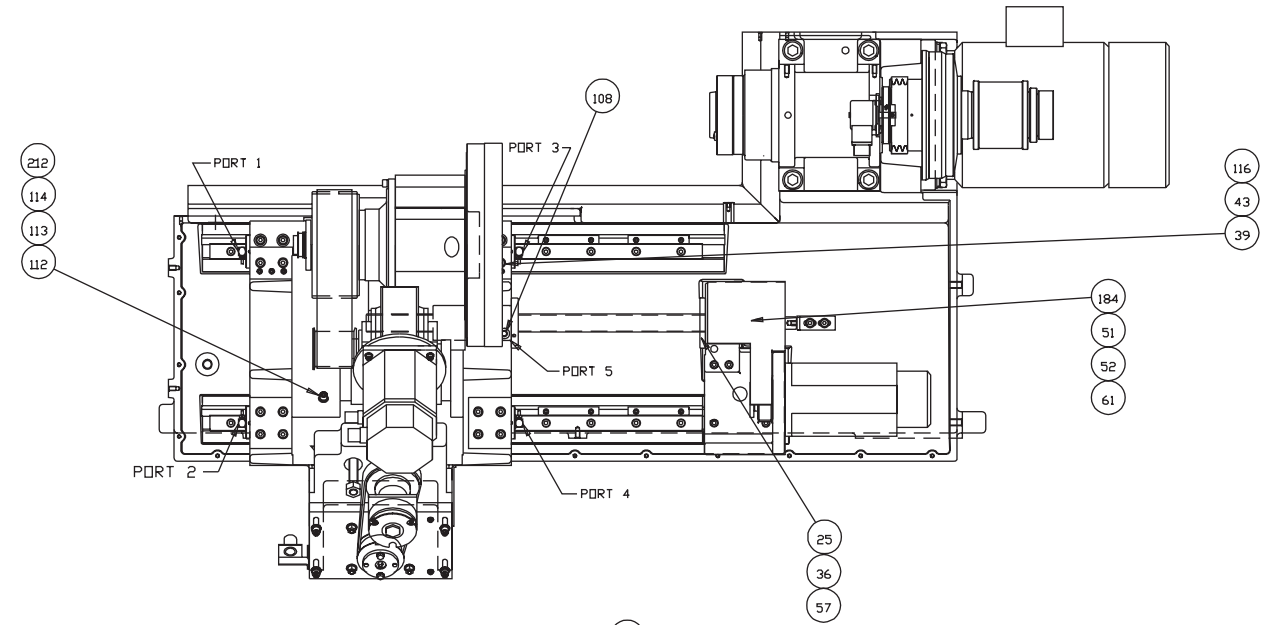
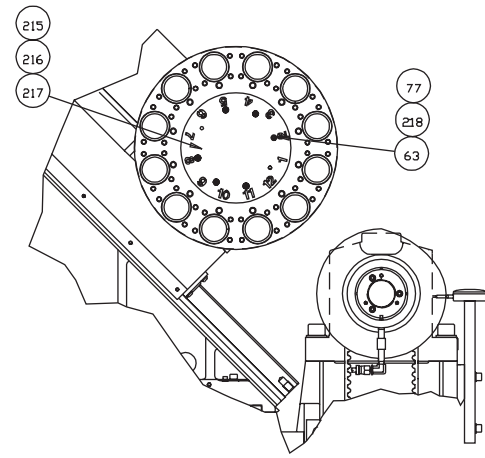
Hardinge Inc.
One Hardinge Drive
P.O. Box 1507
Elmira, New York USA 14902-1507
Phone: (607) 734-2281 FAX: (607) 734-8819

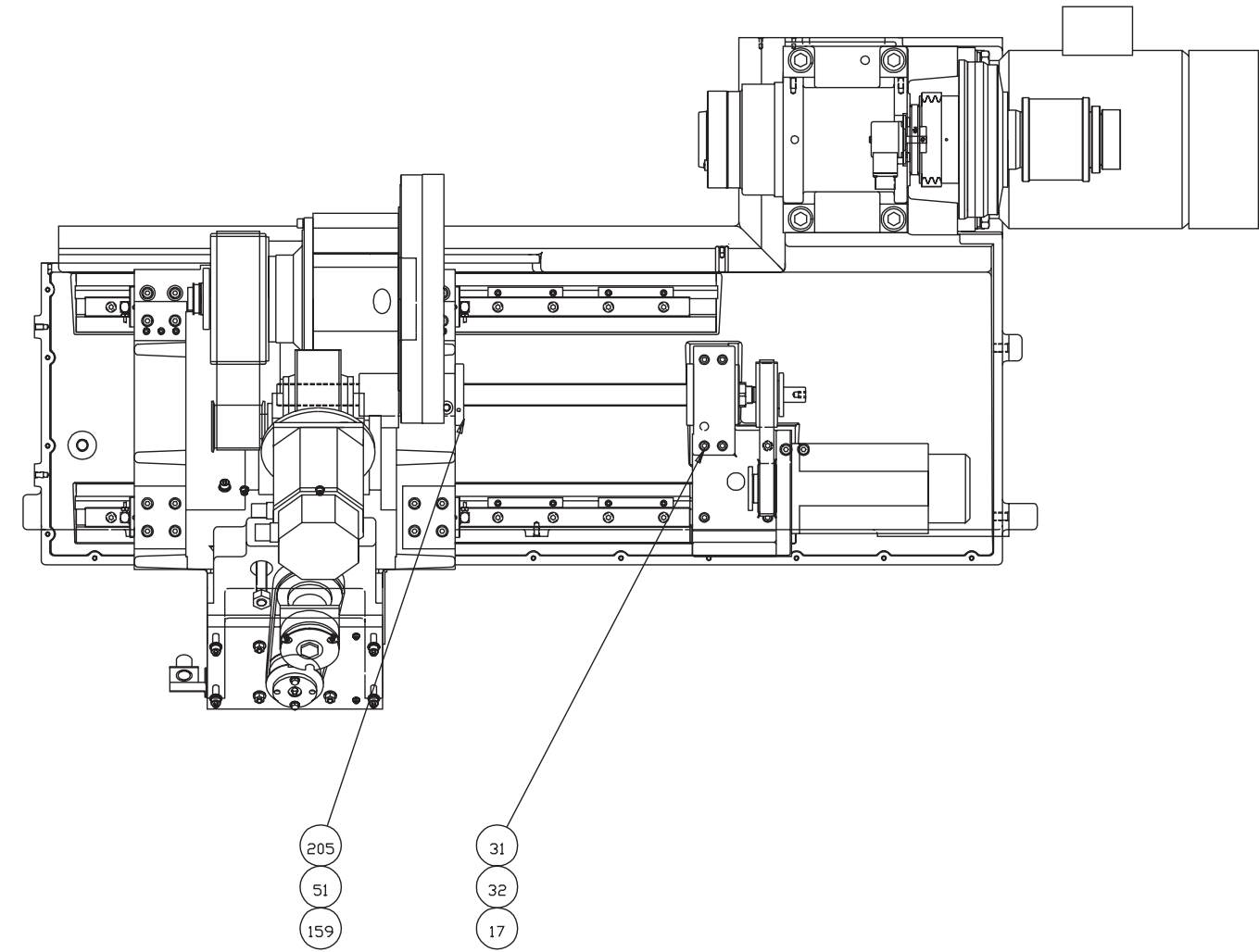
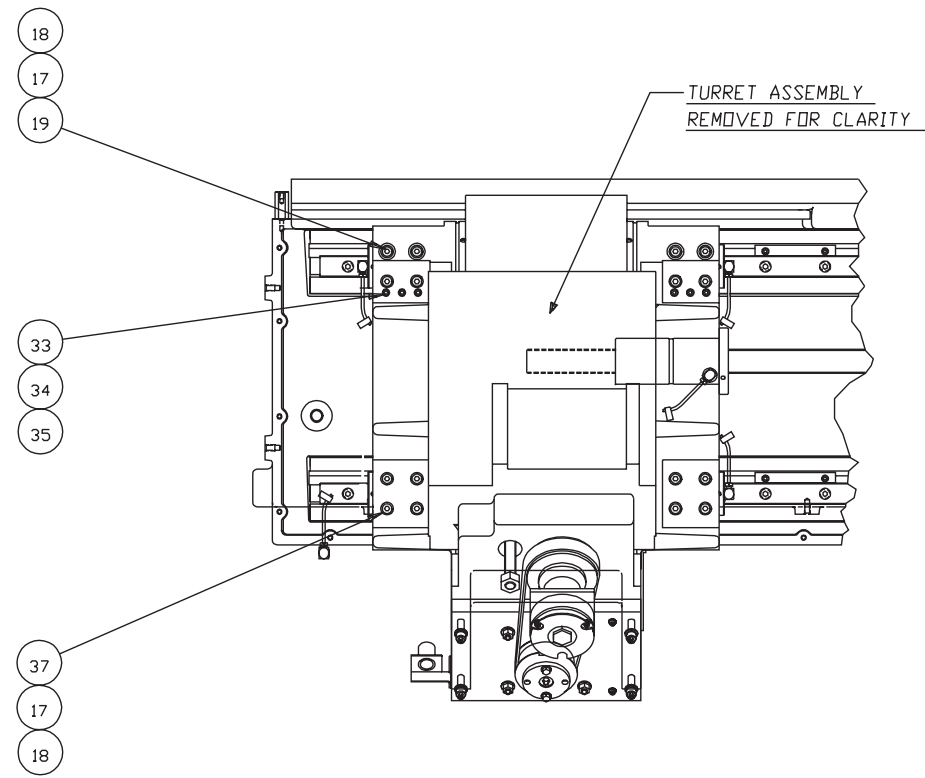
- Contents -
(Alphabetical Listing)

Carriage and Cross Slide Assembly	38 - 42
Collet Closer and Headstock Assembly	16 - 17
Collet Closer Assembly	18 - 19
Coolant Facilities	20
Coolant Guard Assembly	45 - 47
Coolant Tank Assembly	
Chip Conveyor	21
Standard	22
Headstock Assembly	14 - 15
Manual Pulse Generator	37
Operator Control Panel	
CE Mark	50
Non-CE Mark	51
Part Catcher	43 - 44
Pedestal Assembly	1 - 13
Power Case Assembly	
CE Mark	31 - 33
Non-CE Mark	34 - 36
Power Case Panel Assembly	
CE Mark	29
Non-CE Mark	30
Tailstock Assembly (Option)	25 - 27
Tailstock Subassembly (Option)	28
Turret Assembly	23 - 24
Turret Drive Assembly	48
Z Axis Drive Assembly	49

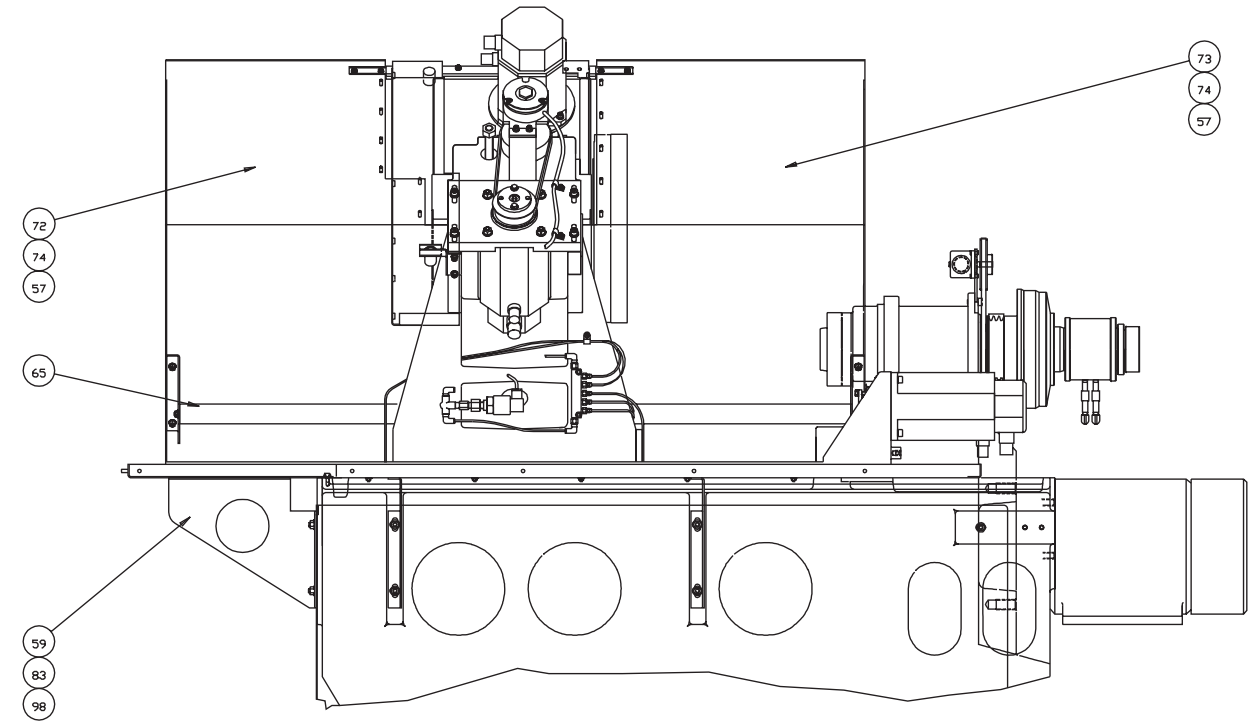
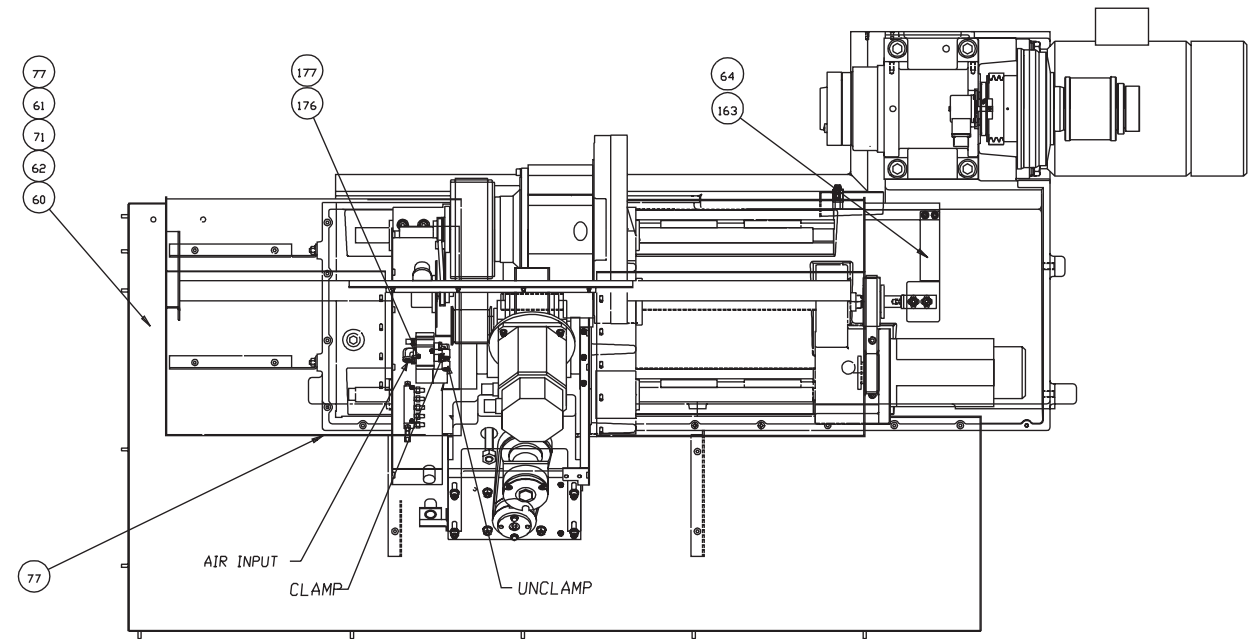
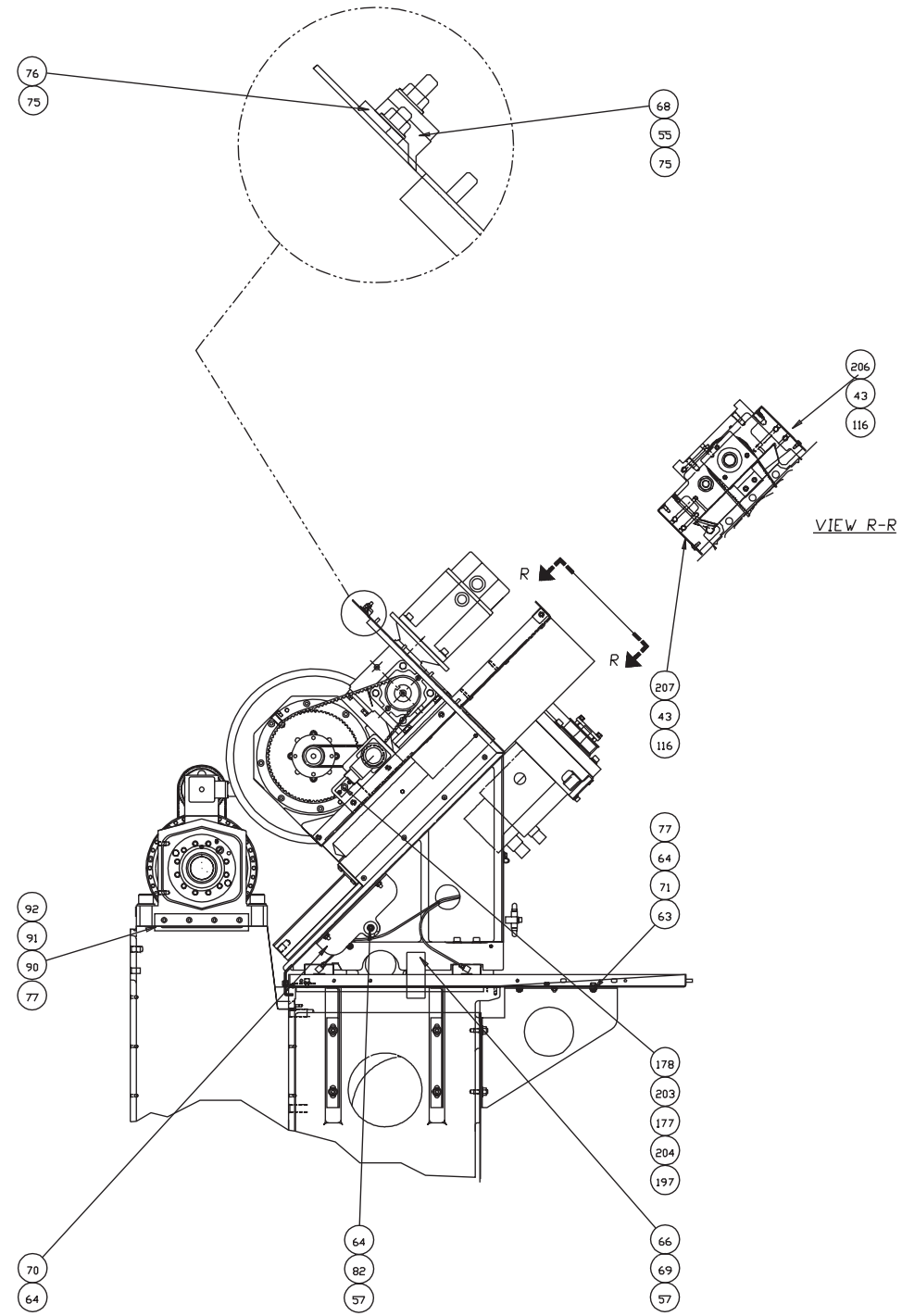


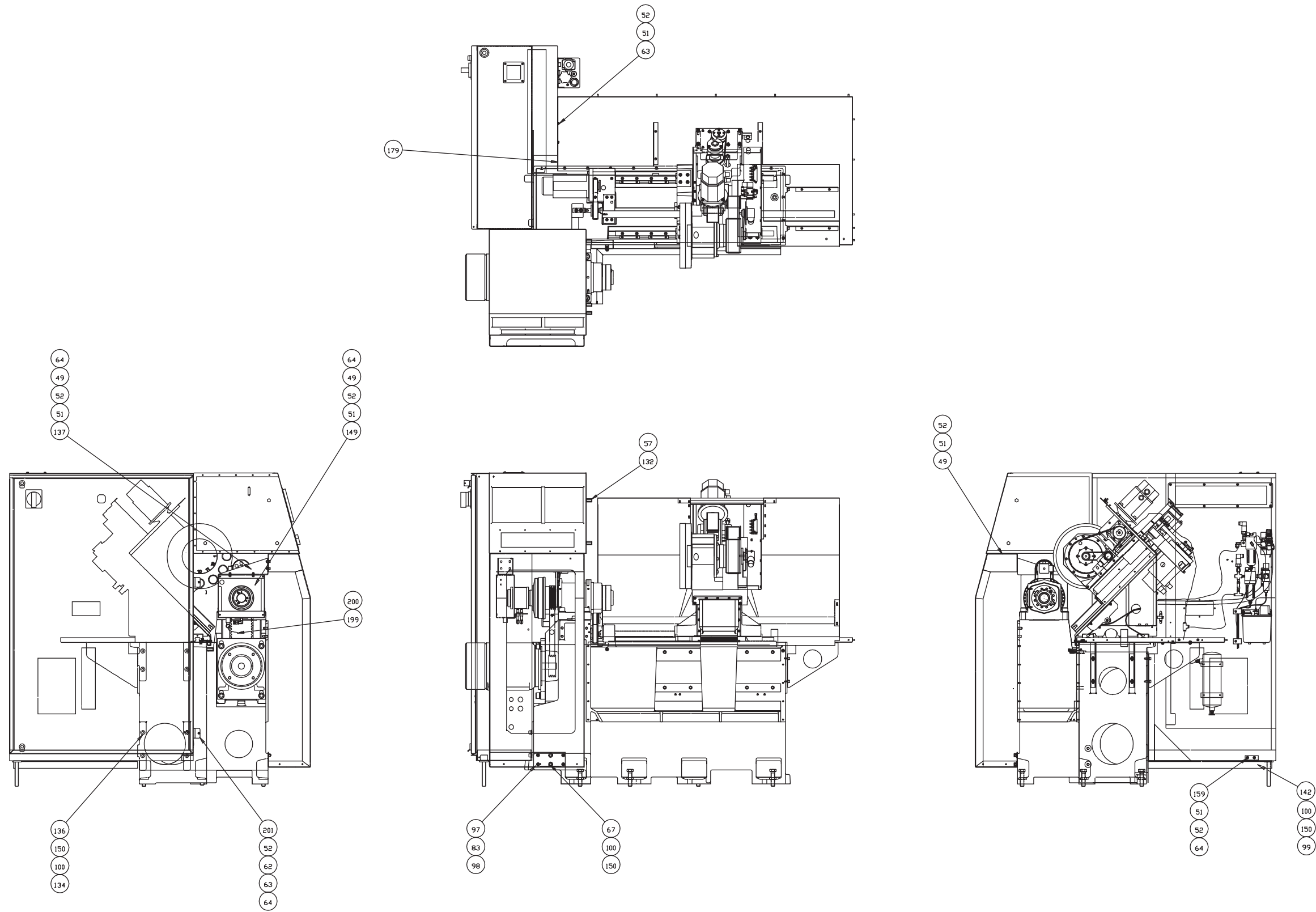
Pedestal Assembly



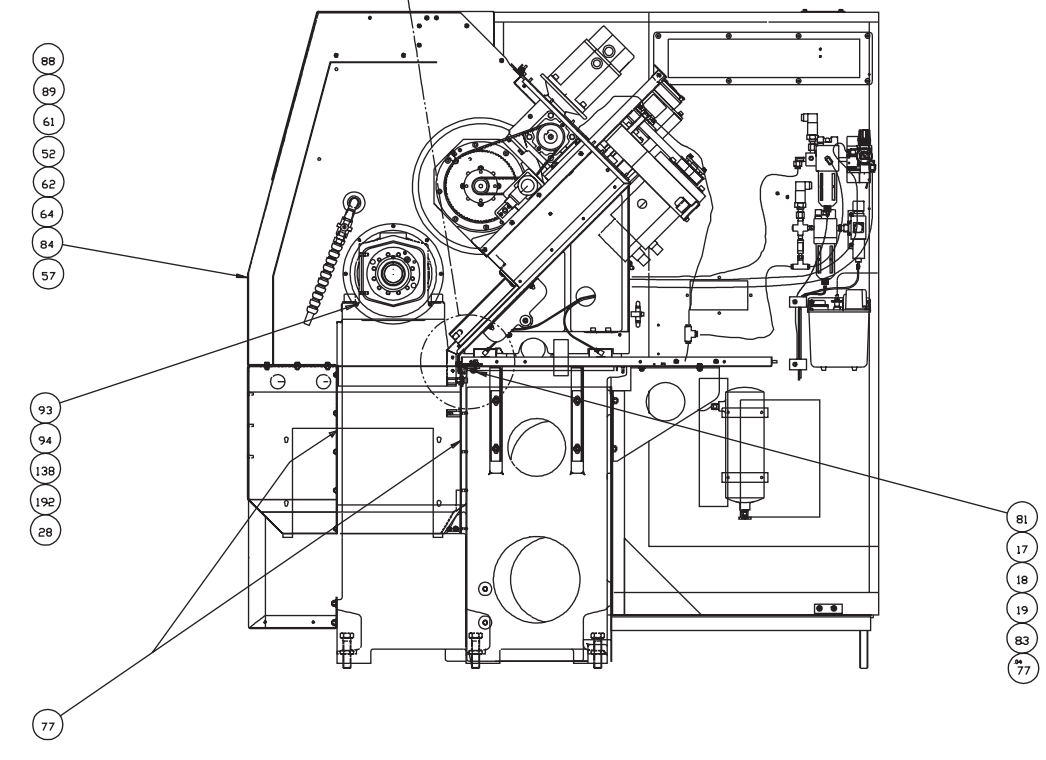
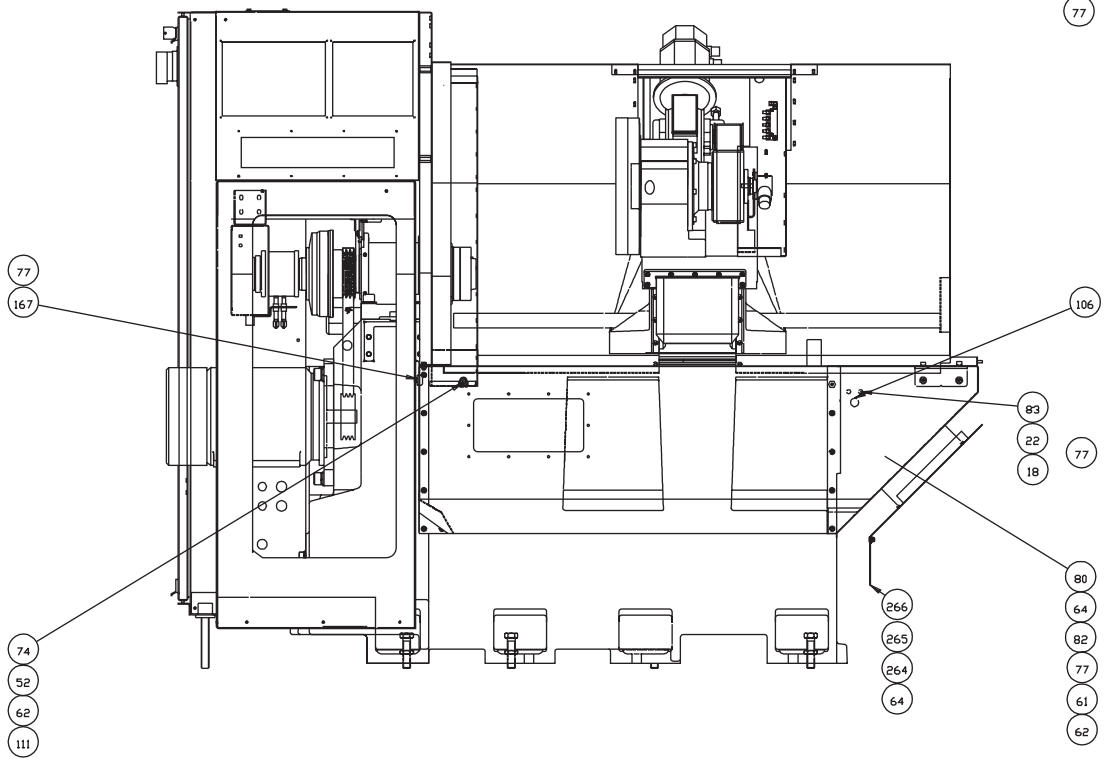
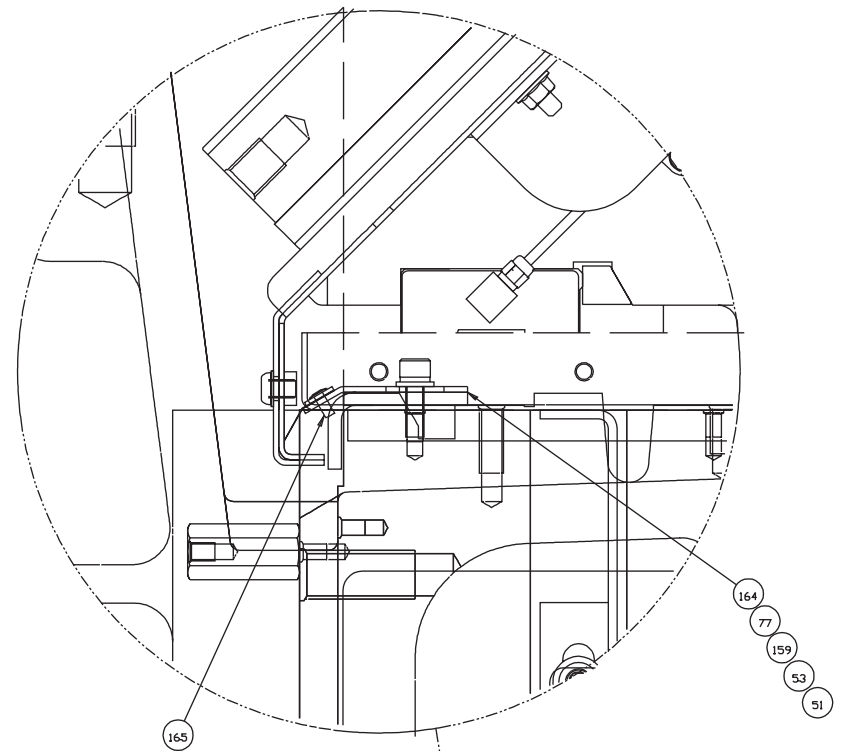
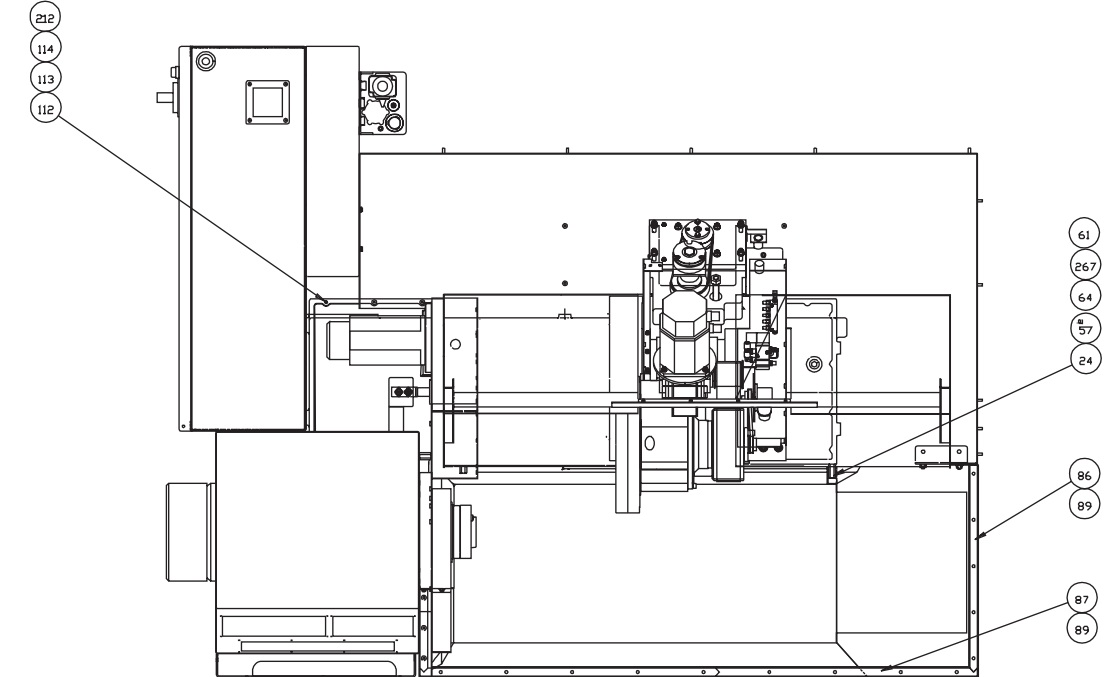


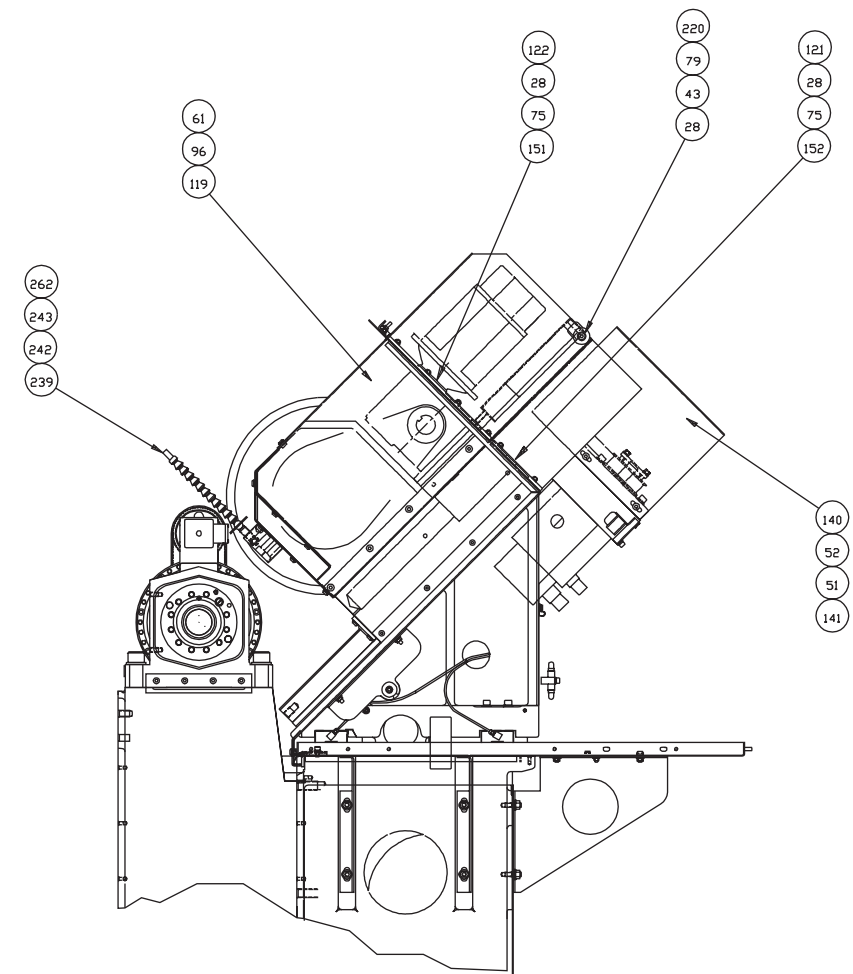
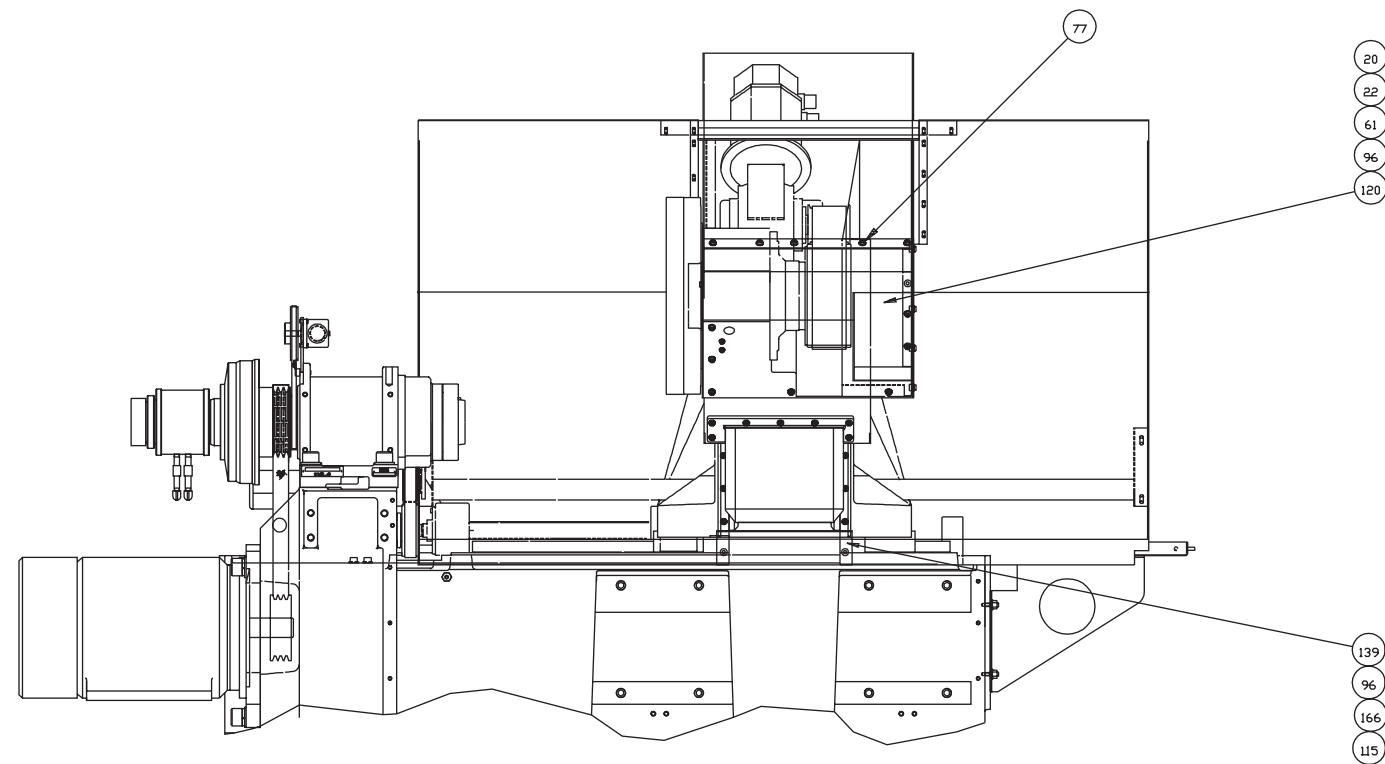
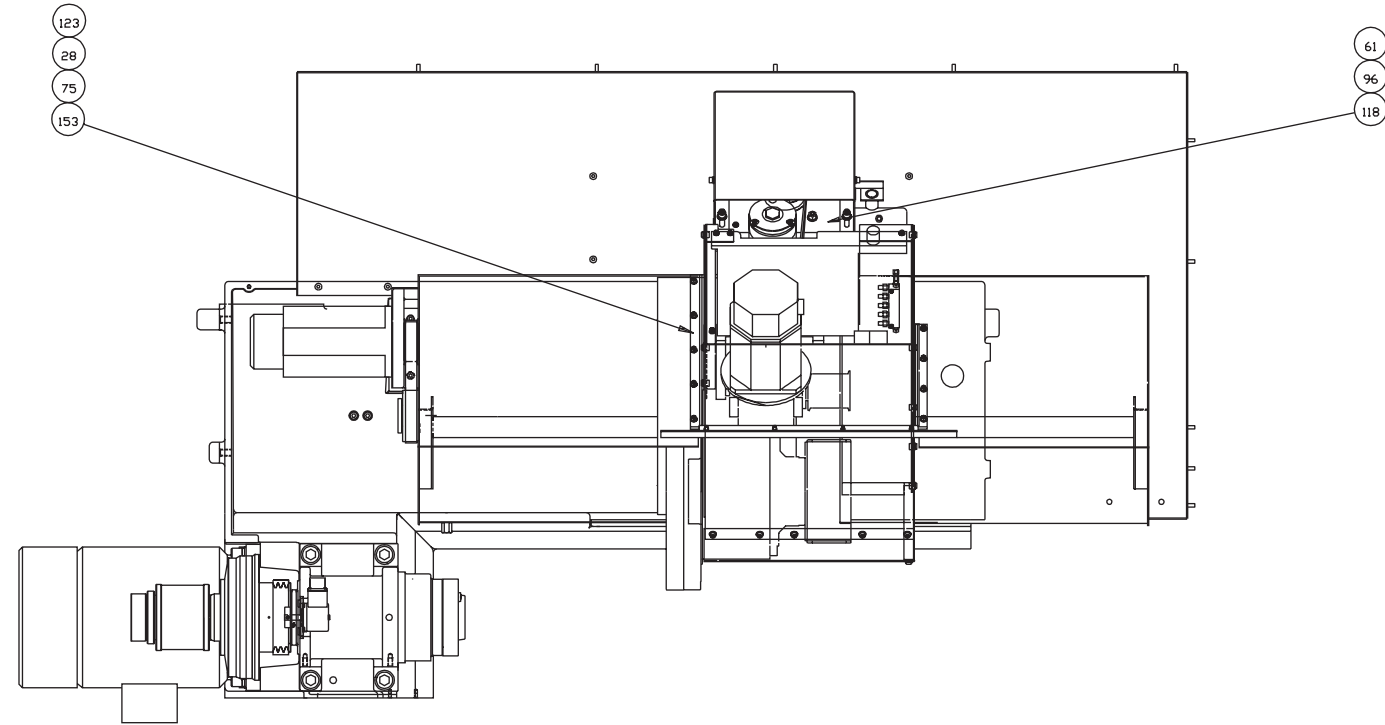
Pedestal Assembly



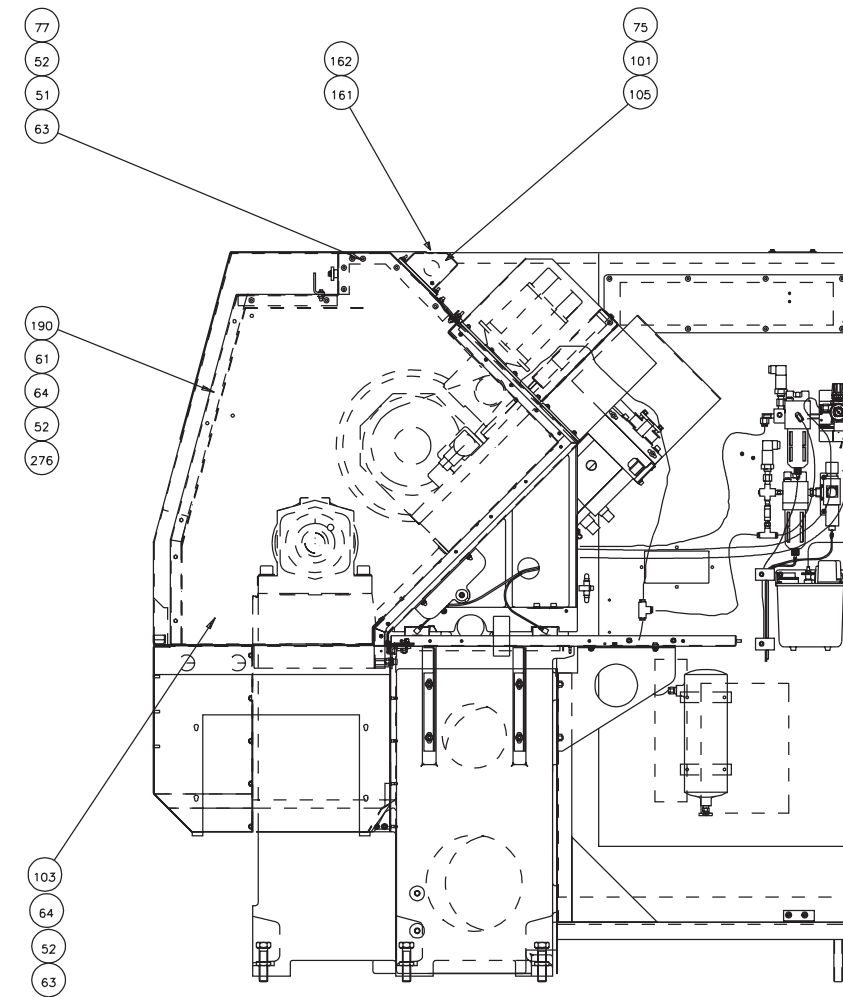
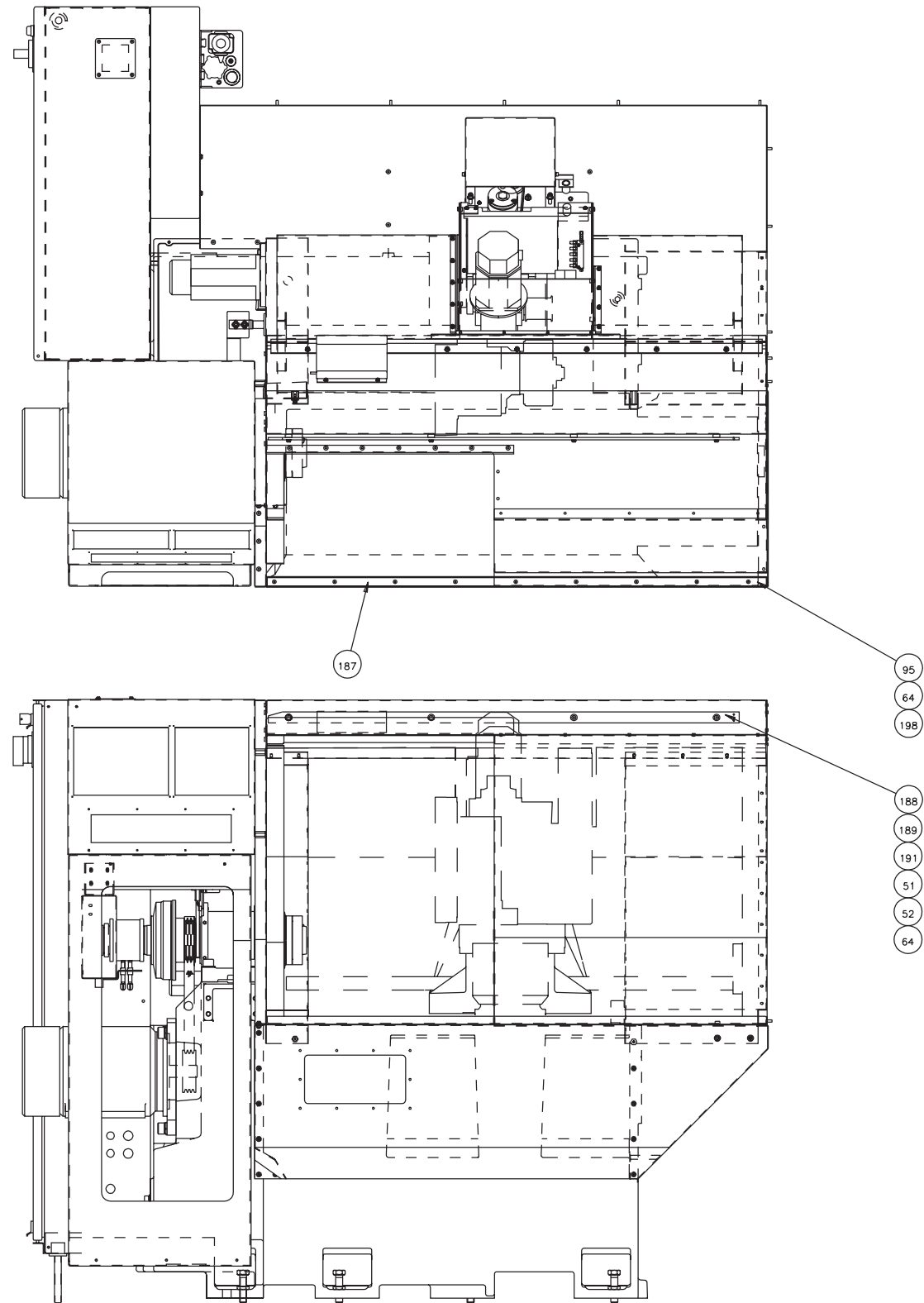


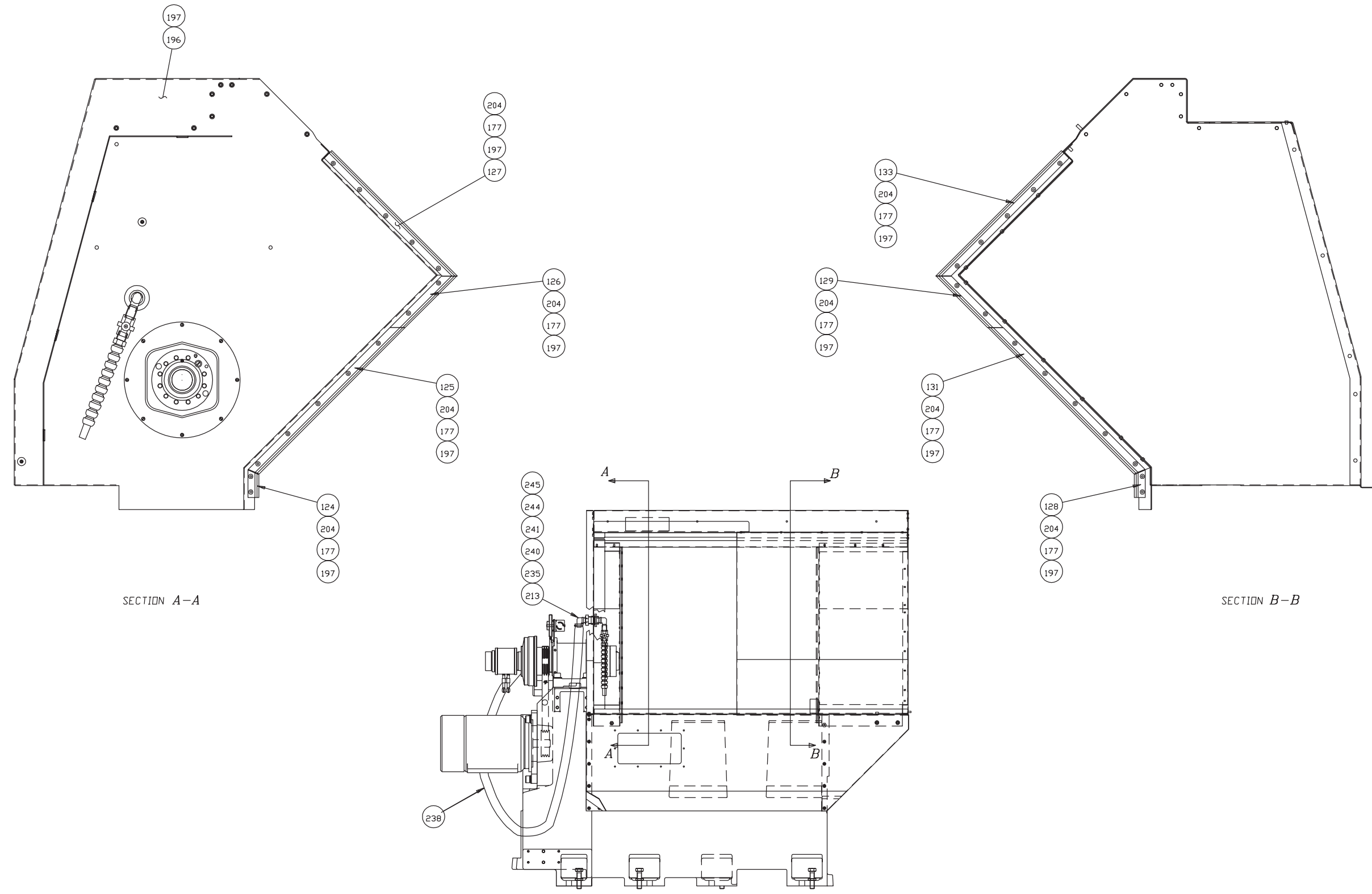
Pedestal Assembly



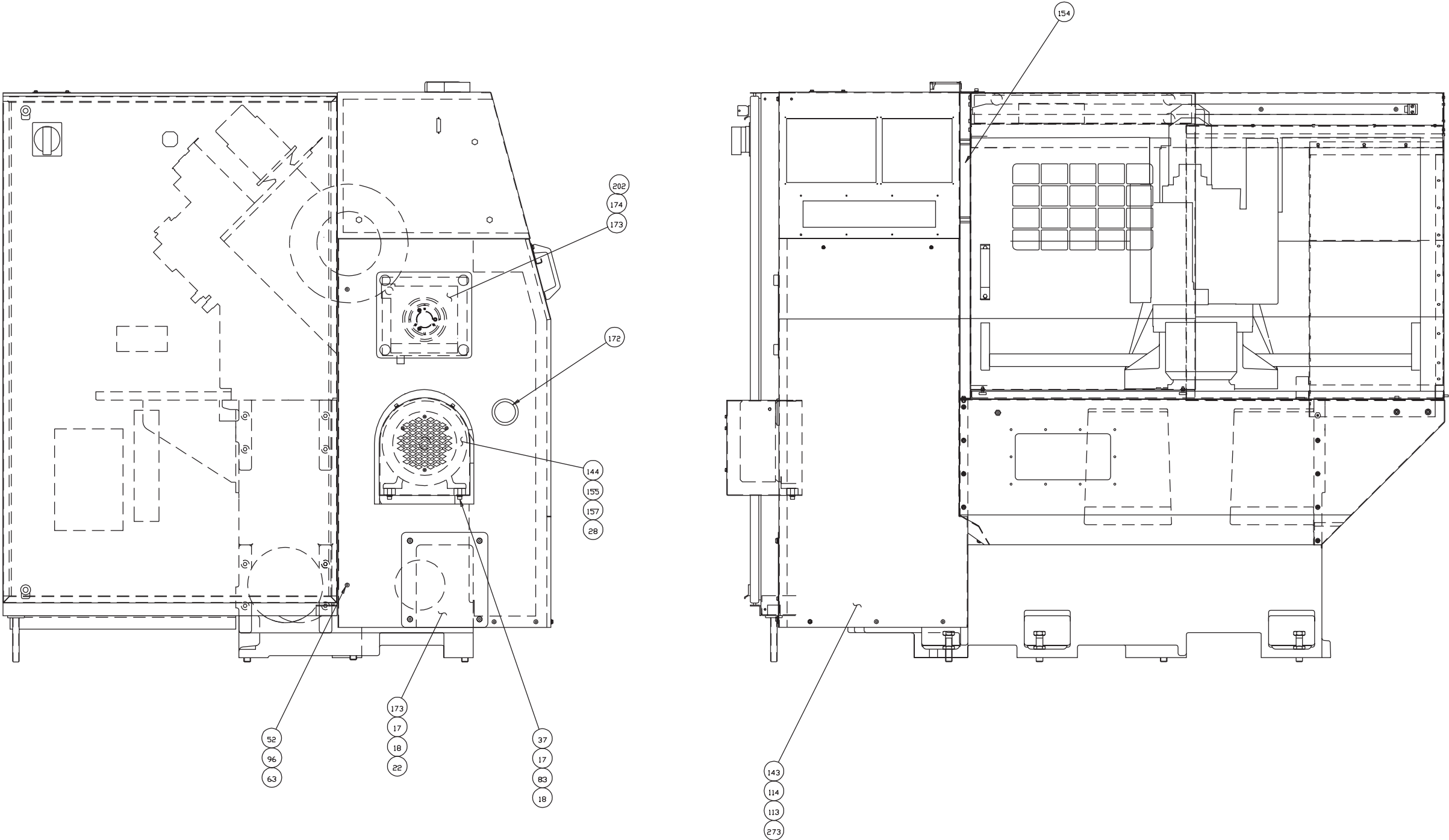


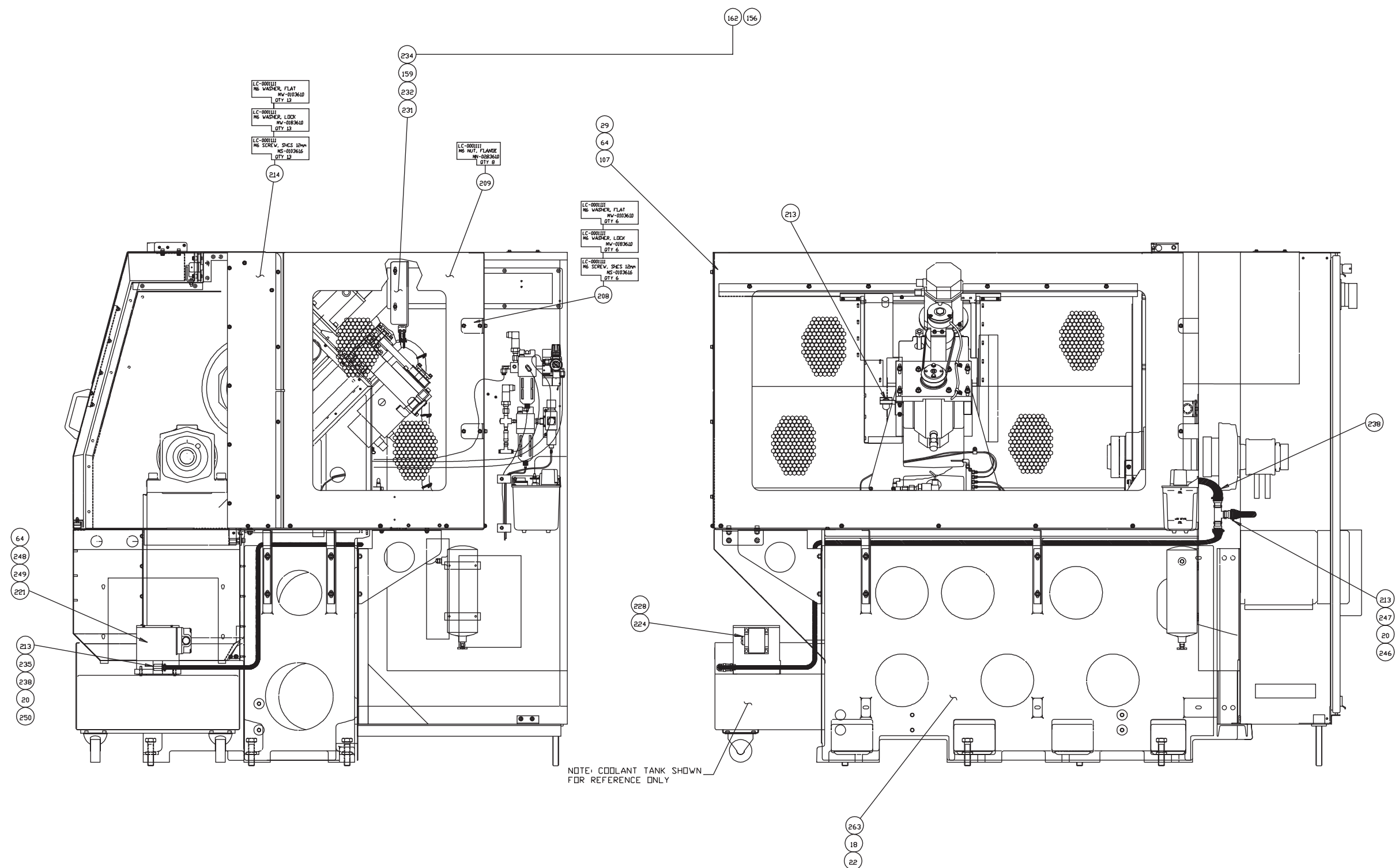
Pedestal Assembly



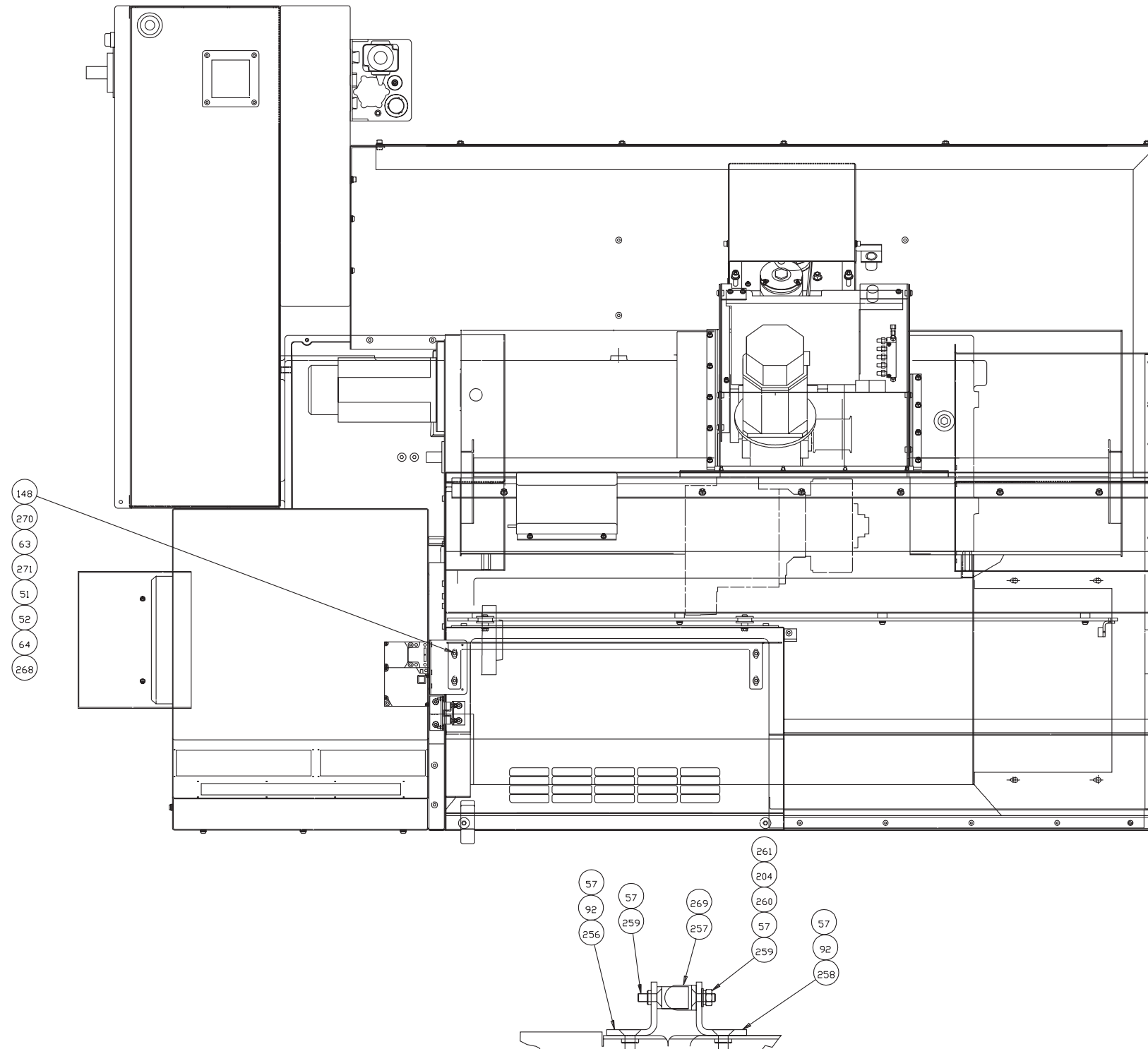


Pedestal Assembly





Pedestal Assembly



Pedestal Assembly

Table with columns: ITEM, PART NUMBER, QUANTITY, DESCRIPTION. Contains parts 1 through 64.

Table with columns: ITEM, PART NUMBER, QUANTITY, DESCRIPTION. Contains parts 65 through 130.

Table with columns: ITEM, PART NUMBER, QUANTITY, DESCRIPTION. Contains parts 131 through 204.

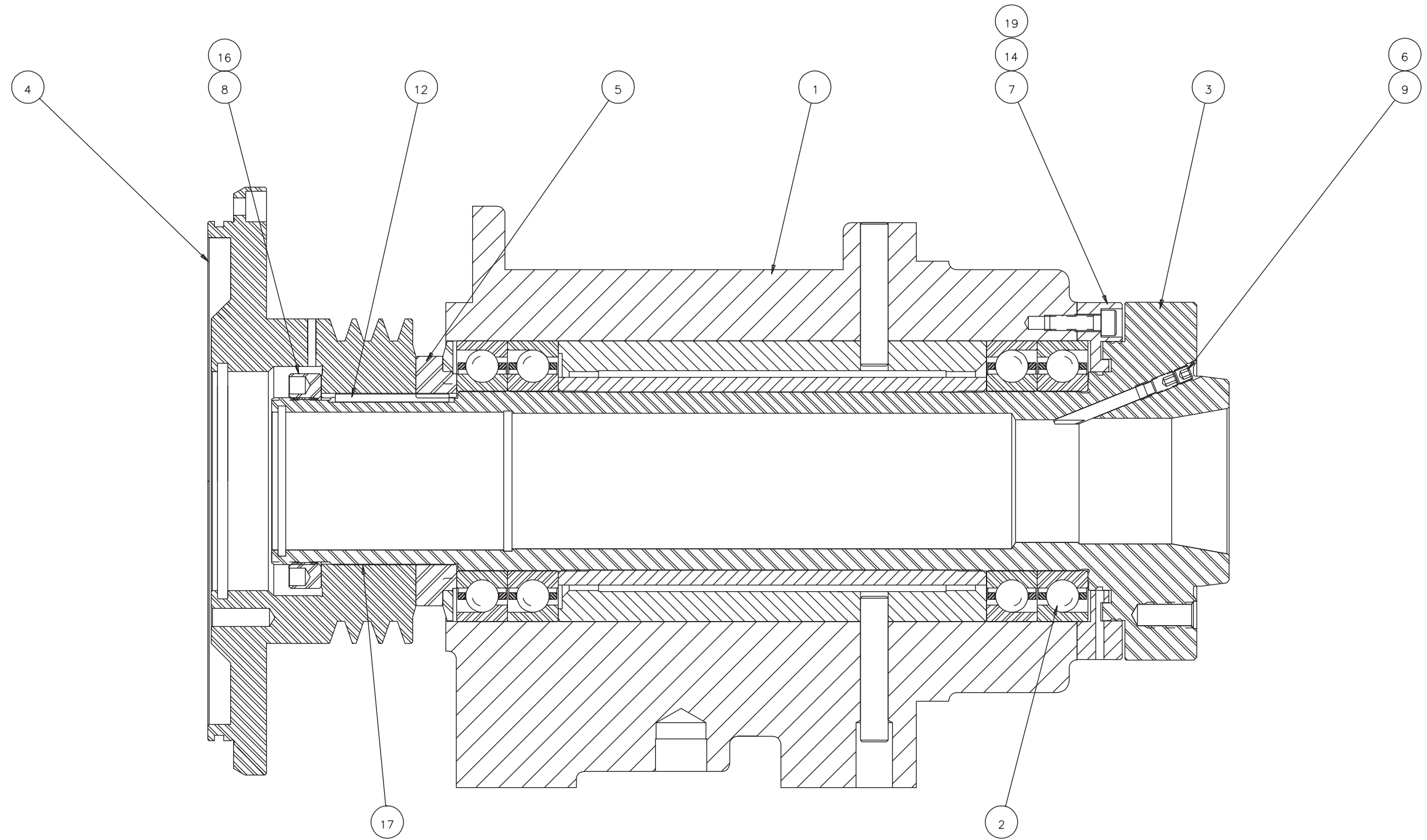
Table with columns: ITEM, PART NUMBER, QUANTITY, DESCRIPTION. Contains parts 205 through 276.

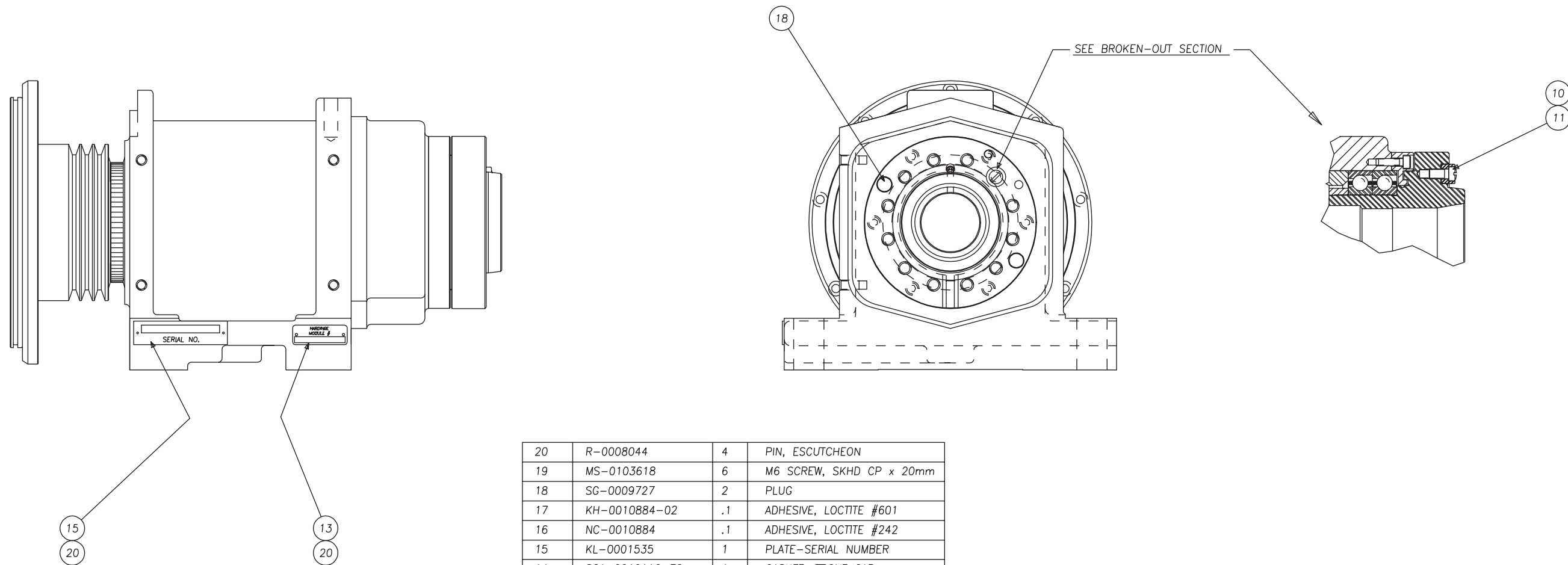
NOT SHOWN
(274) (237) (145) (146)

GE FANUC REPLACEMENT COMPONENTS

- LC -0011886-01 CRT Assembly
LC -0011886 CRT (Tube only)

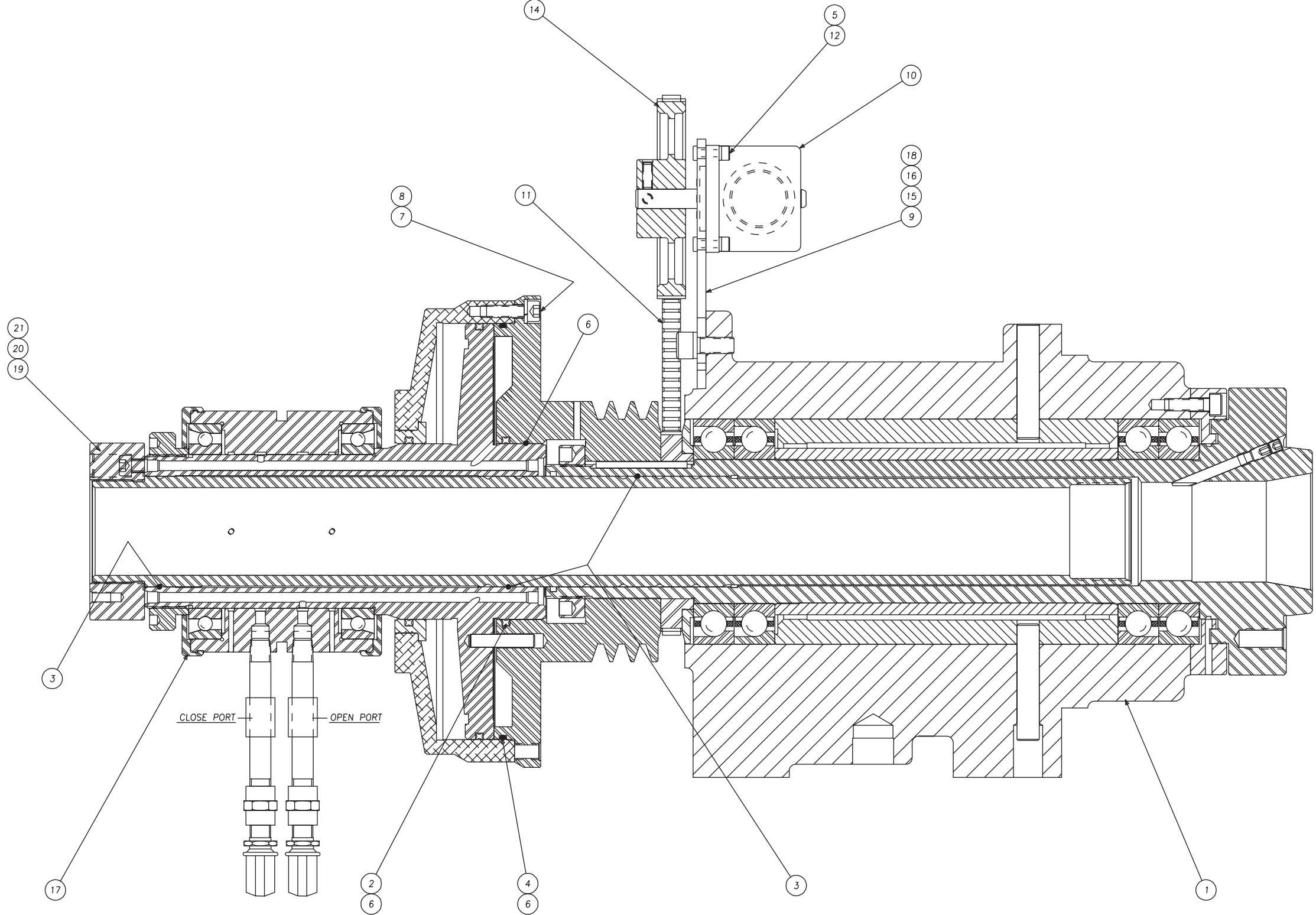
Headstock Assembly





20	R-0008044	4	PIN, ESCUTCHEON
19	MS-0103618	6	M6 SCREW, SKHD CP x 20mm
18	SG-0009727	2	PLUG
17	KH-0010884-02	.1	ADHESIVE, LOCTITE #601
16	NC-0010884	.1	ADHESIVE, LOCTITE #242
15	KL-0001535	1	PLATE-SERIAL NUMBER
14	SGA-0010116-FC	1	GASKET, FRONT CAP
13	CS-0001535-M	1	LABEL, MODULE #
12	HG-0006317	1	KEY, PULLEY
11	A2-0011920	1	BUTTON, DRIVING
10	CS-0011920	1	SCREW, BUTTON
9	CS-0000284	1	SCREW, COLLET KEY
8	LC-0004068-A	1	NUT, SPINDLE
7	LC-0000275	1	CAP, FRONT
6	MS-0573613	1	M6 SCREW, SET FLAT x 6mm
5	SGA-0003177-D	1	TIMING PULLEY ASSEMBLY
4	LC-0004053	1	PULLEY, SPINDLE
3	LC-0000283-M	1	SPINDLE
2	HC-0000265-GT	2	BEARING, DUPLEX PAIR
1	LC-0000264	1	HEADSTOCK, HOUSING
ITEM	PART NUMBER	QTY	DESCRIPTION

Collet Closer and Headstock Assembly

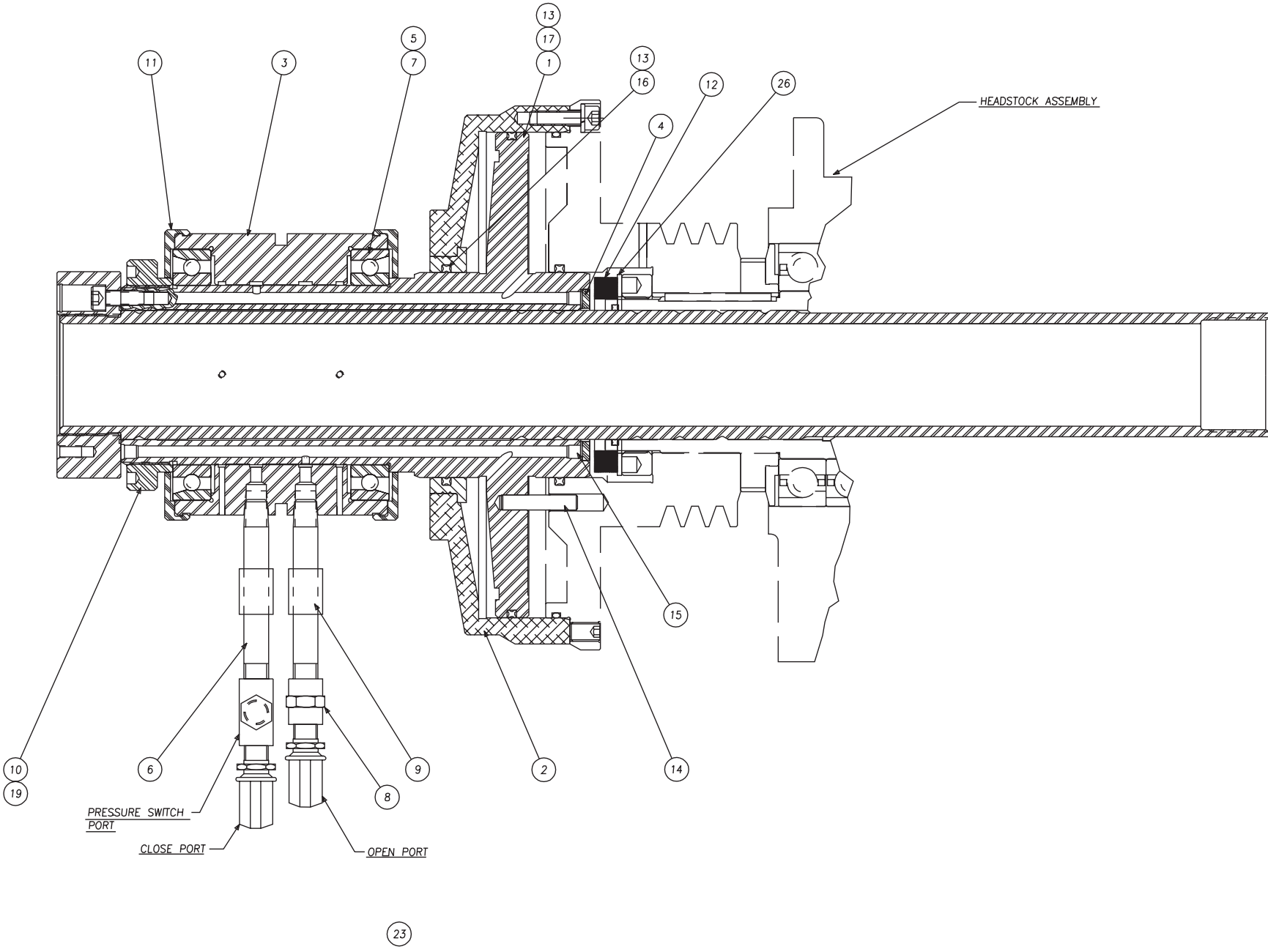
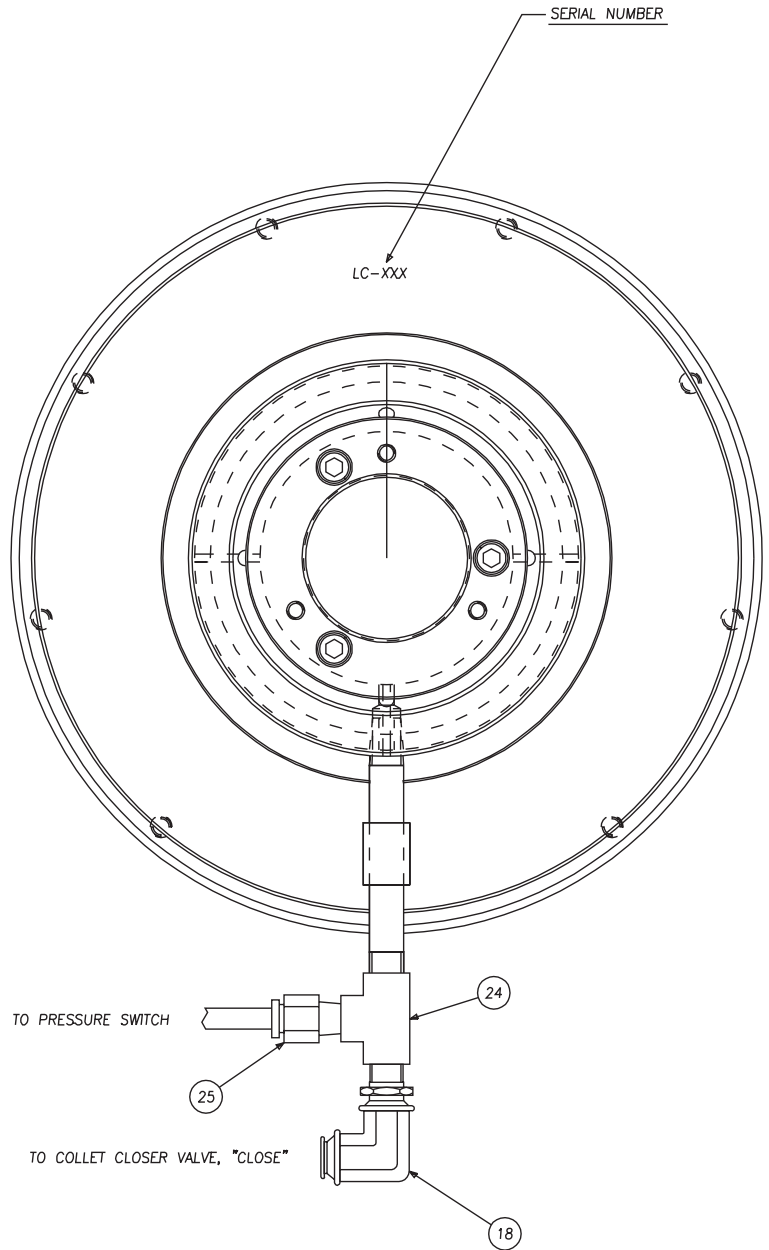


NOT SHOWN:

22

22	LO-0003295	1	CLOSER & HEAD RUN-IN PROC
21	43-0008231-01	3	RING, RETAINING
20	MS-0103617	3	M6 SCREW, SHCS x 16mm
19	LC-0000480	1	DRAWTUBE ASSEMBLY
18	MW-0103810	2	M8 WASHER, FLAT
17	LC-0000006	1	COLLET CLOSER ASSEMBLY
16	MW-0193810	2	M8 WASHER, LOCK
15	MS-0103818	2	M8 SCREW, SHCS x 20mm
14	LC-0003177-T	1	PULLEY, TIMING
12	MS-0103417	4	M4 SCREW, SHCS x 16mm
11	LC-0003346-T1	1	BELT, TIMING
10	LC-0011797-01	1	ENCODER
9	LC-0010467	1	BRACKET, FEEDBACK
8	MW-0183610	9	M6 WASHER, LOCK
7	MS-0103618	9	M6 SCREW, SHCS x 20mm
6	VS-0010440	.03	ANTI-SIEZE
5	MW-0193410	4	M4 WASHER, LOCK
4	OR-0124127	1	O-RING
3	CS-0010994	.04	MOBILTEMP SHC32
2	42-0011151-37	1	RING, QUAD
1	LC-0000002	1	HEADSTOCK ASSEMBLY
ITEM	PART NUMBER	QTY	DESCRIPTION

Collet Closer Assembly



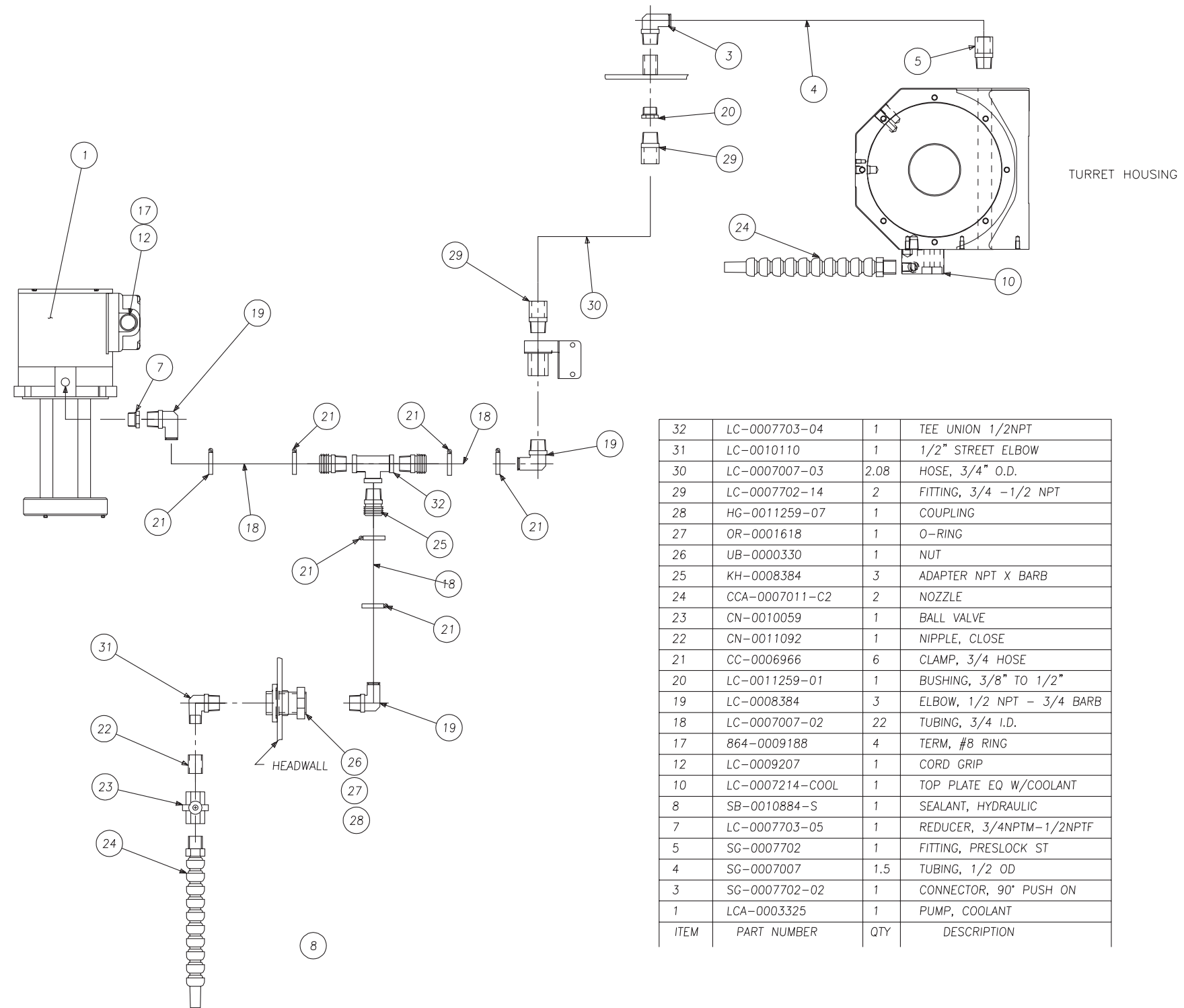
26	LC-0010833-01	1	SPACER, BUMPER
25	HG-0007702	1	FITTING, PRESS LOCK
24	PO-0007702-02	1	TEE
23	LT-0010884-S	.01	PIPE SEALANT
22	LOB-0003163	1	COLL CLOS ASSY PROCEDURE
21	LOA-0003162	1	COLL CLOS ASSY STEPS
20	LO-0003156	1	BEARING FIT-UP CHART
19	CS-0010884-06	.01	LOCKTITE
18	CL-0007702-03	2	ELBOW, 90° SWIVEL
17	42-0011151-65	1	RING, QUAD
16	42-0011151-37	1	RING, QUAD
15	S-0010700-10	4	PLUG, LEE
14	5-0002024	1	PIN, DOWEL
13	VS-00010440	.02	ANTI-SIEZE LUBE
12	LC 0010833 B	1	BUMPER, COLLET CLOSER
11	LC-0004937	2	RETAINER, GREASE
10	LC-0000492	1	NUT
9	CN-0008221	2	HOSE
8	CT-0011096-01	1	COUPLING
7	LC-0004140-02L	1	BEARING, COLLET CLOSER
6	CT-0011092-07	2	NIPPLE, BRASS
5	LC-0004140-02H	1	BEARING, COLLET CLOSER
4	LC-0010833-OX	1	SPACER, BUMPER
3	LC-0007703-SS	1	UNION, ROTARY
2	LC-0002917	1	CYLINDER, SUB-ASSEMBLY
1	LCB-0009259	1	PISTON, COLLET CLOSER
ITEM	PART NUMBER	QTY	DESCRIPTION

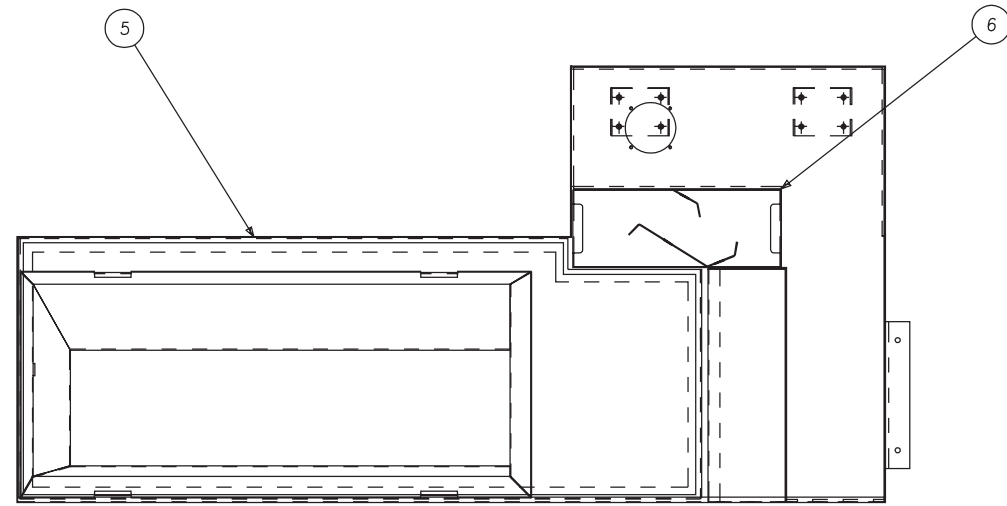
22

20

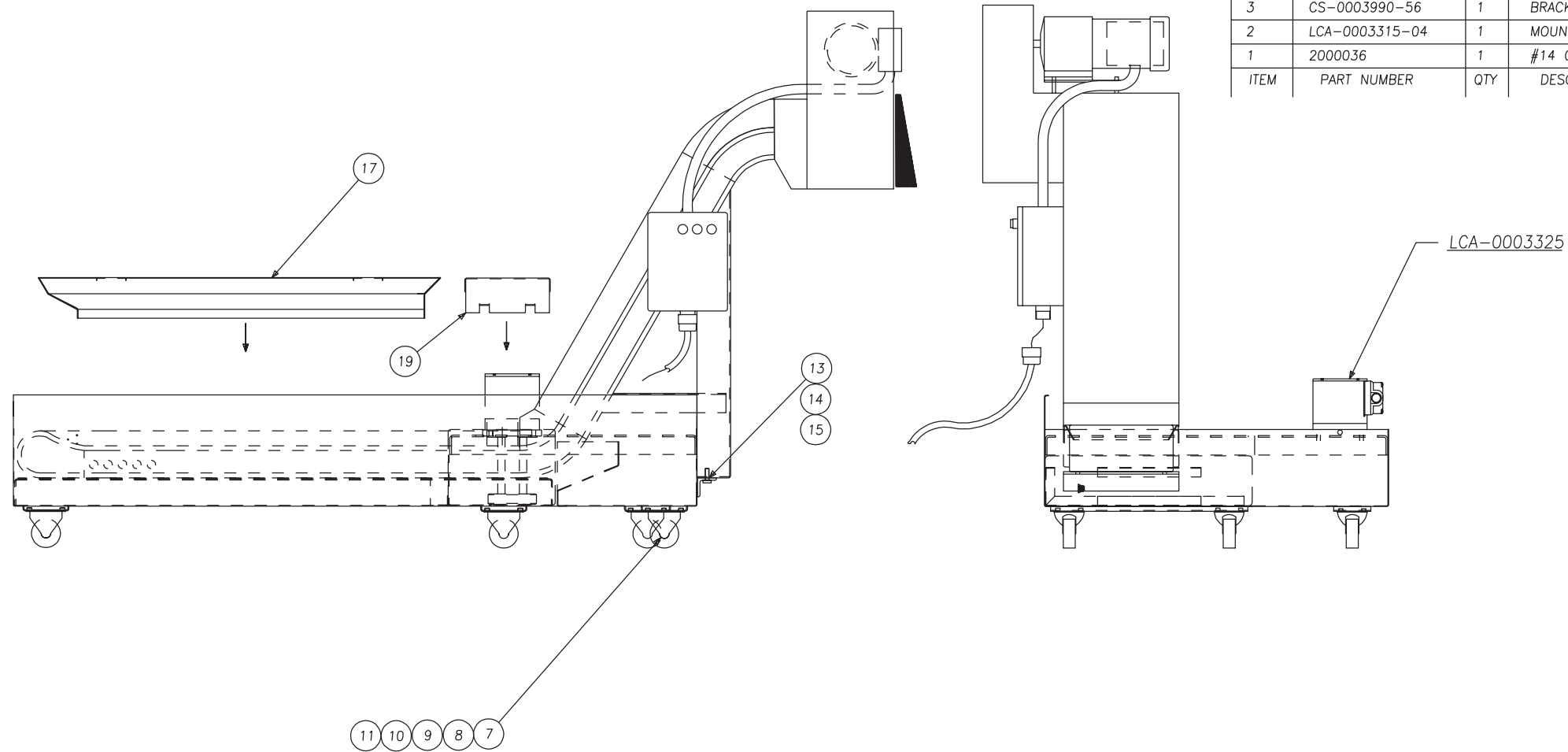
21

Coolant Facilities

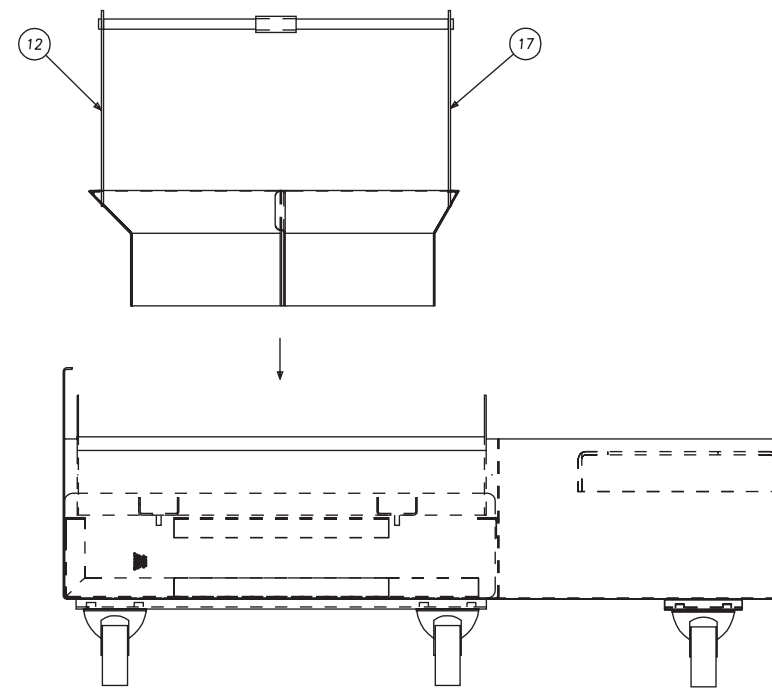
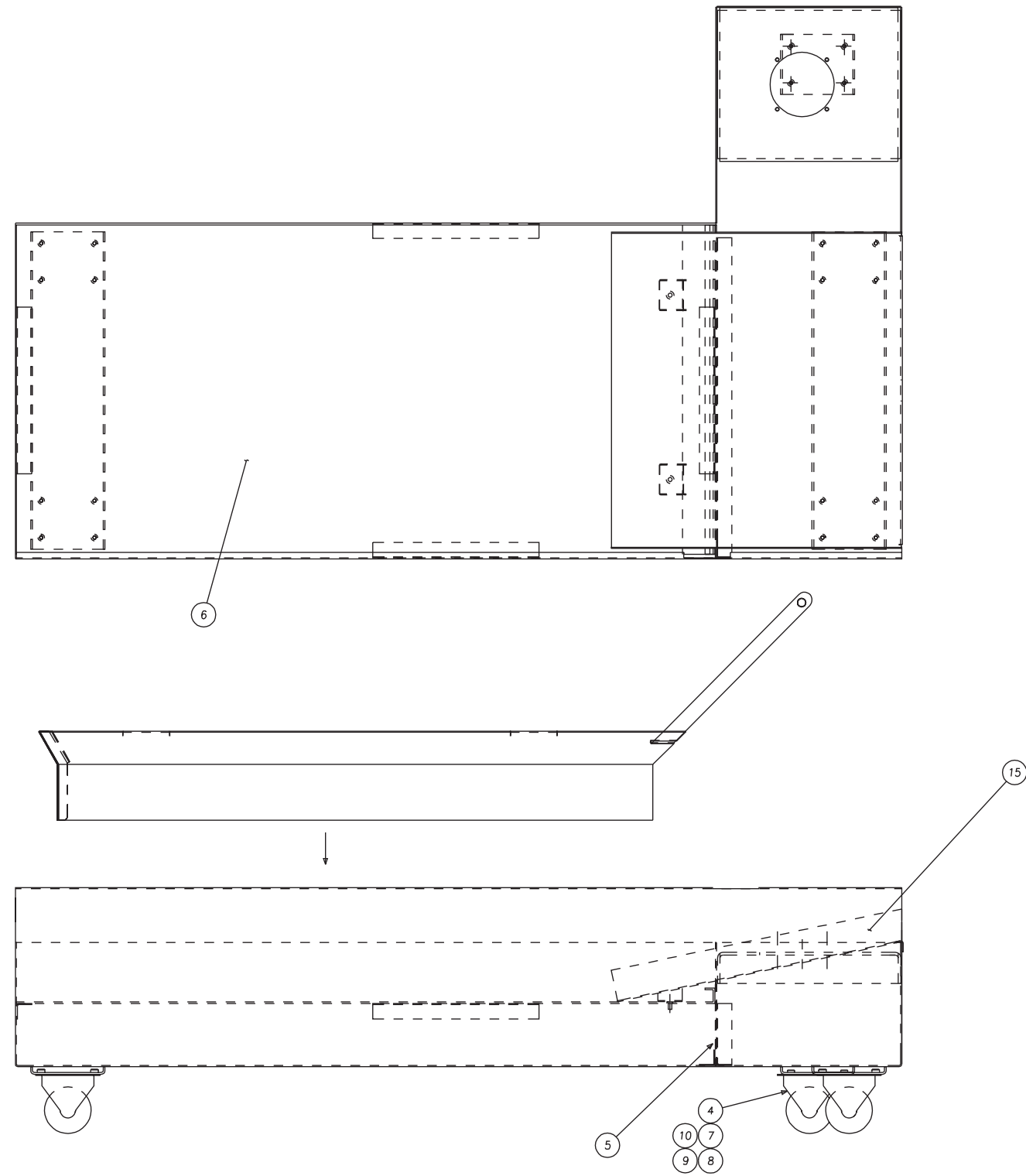




21	LC-0003315-15	1	INSERT, COOLANT TANK
20	LC-0003315-12	2	BLOCK, AUXILLARY MOUNTING
19	LCA-0010115-03	1	COVER, LCL CONVEYOR
18	LCA-0001990-43	1	SHIELD, TANK COOLANT
17	LCA-0000221-SGC	1	SHIELD, COOLANT TANK W/CO
15	MW-0194010	2	WASHER, M10 LOCK
14	MW-0104010	2	WASHER, M10 FLAT
13	MN-0114010	2	NUT, HEX M10-1.5
12	LC-0003315-03	2	BLOCK, LCL CASTER MOUNTIN
11	NC-0010884	.01	LOCTITE ADHESIVE
10	MW-0103610	24	WASHER, M6 FLAT
9	MW-0183610	24	WASHER, M6 LOCK
8	MS-0303617	24	SCREW, BT HD M6X1.0X16MM
7	LC-0011557	6	CASTER, LCL SWIVEL
6	LCA-0001990-CB	1	ASSEMBLY, LCL CHIP BASKET
5	LCC-0003315-05	1	PAN, CHIP CONVEYOR
4	MS-0154020	2	SCREW, HEX HD M10X1.5X30M
3	CS-0003990-56	1	BRACKET, CHIP CONVEYOR
2	LCA-0003315-04	1	MOUNT, CONVEYOR TANK PUMP
1	2000036	1	#14 GA (.0697)
ITEM	PART NUMBER	QTY	DESCRIPTION

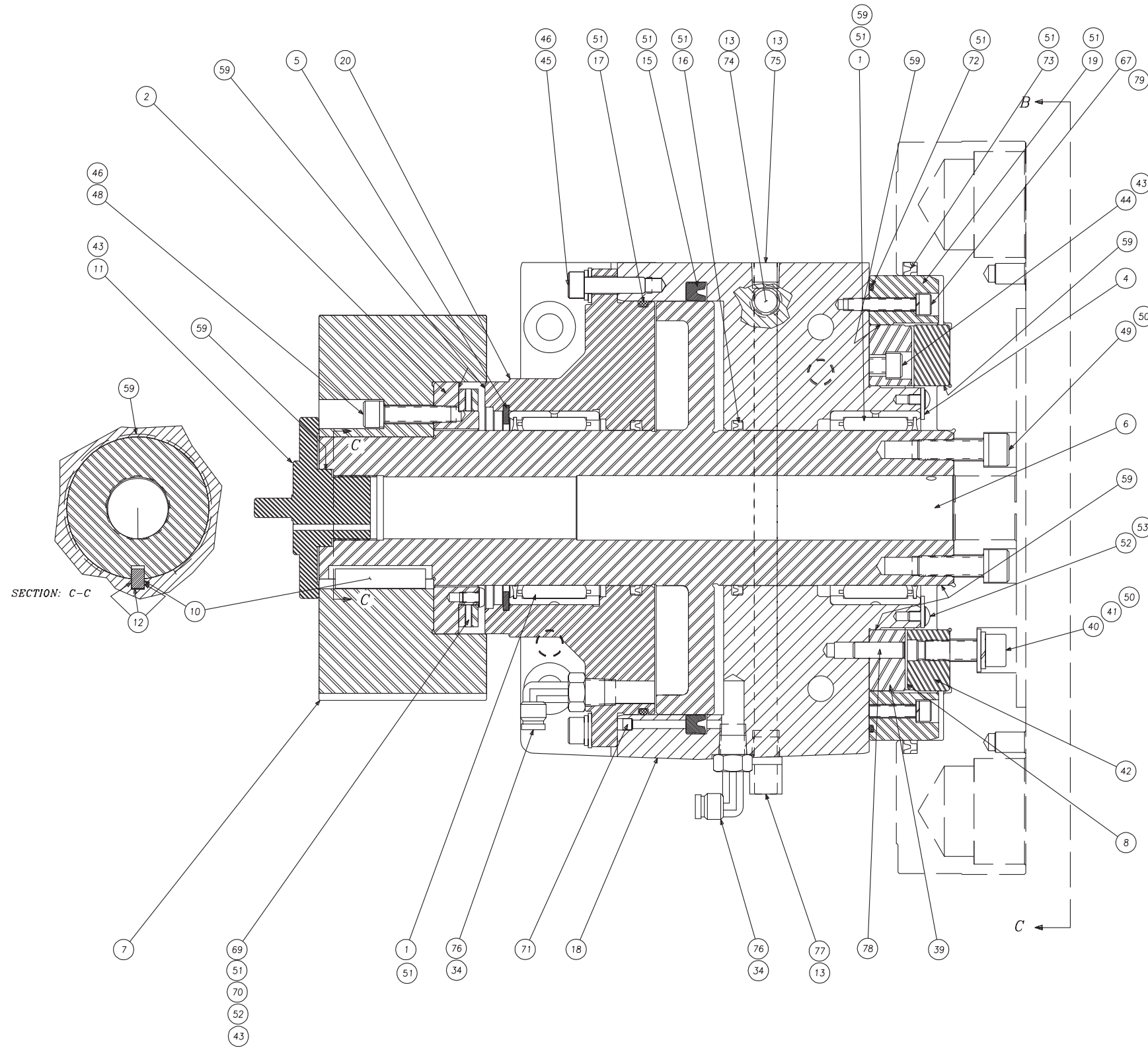


Coolant Tank Assembly, Standard



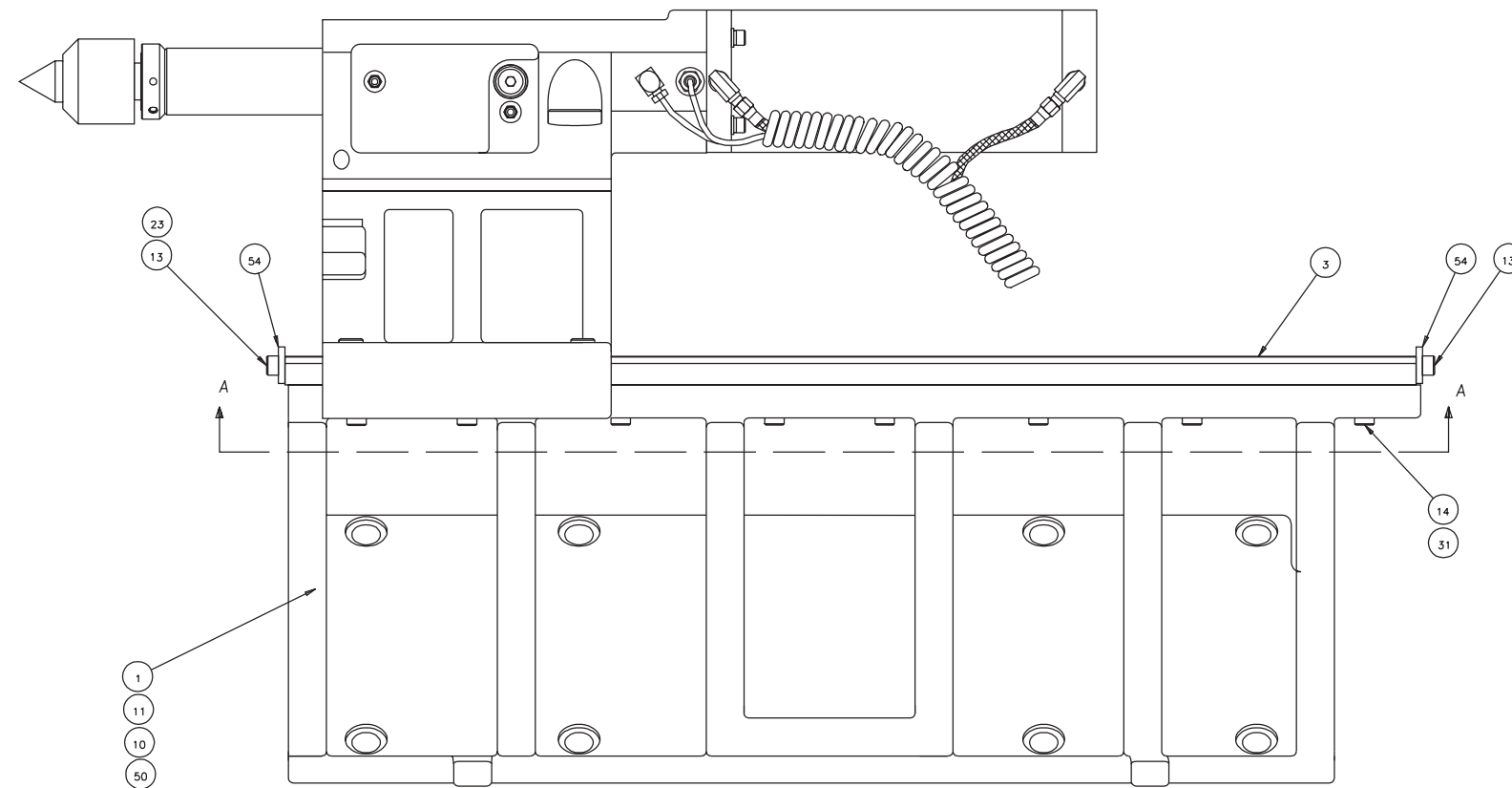
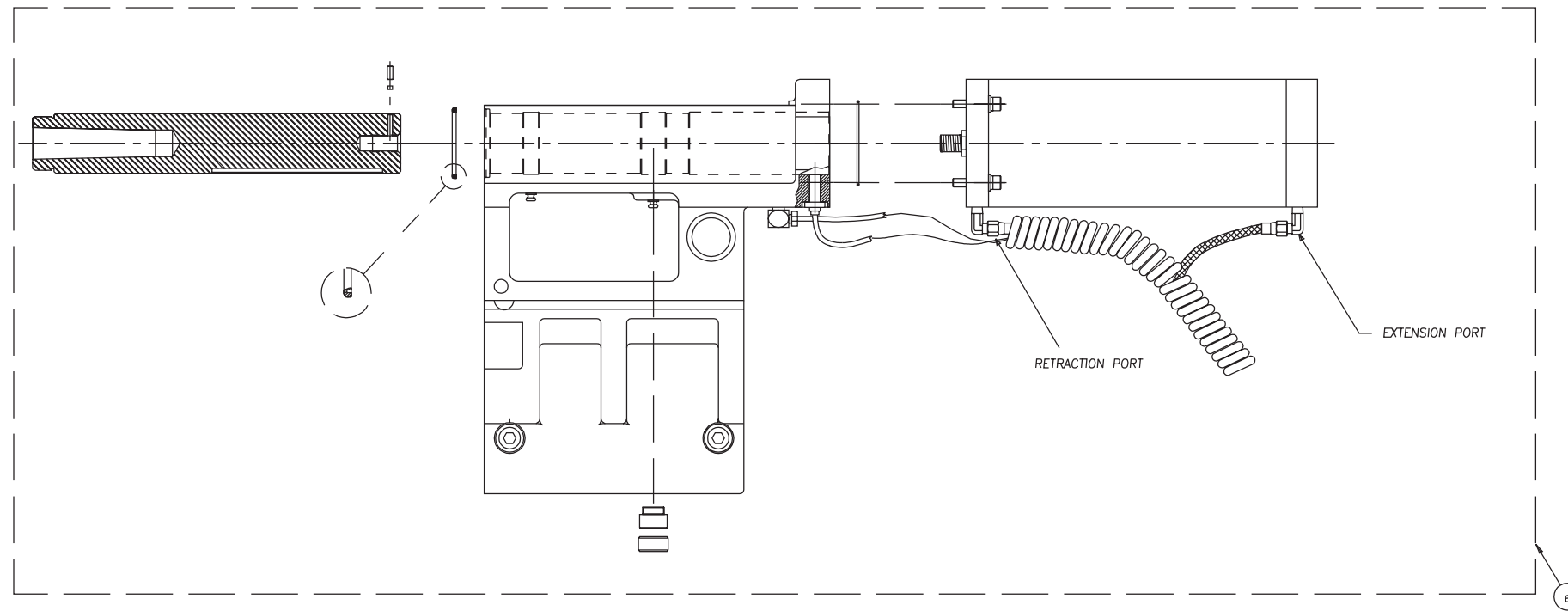
RIGHT SIDE VIEW

17	LCA-0001990-38	1	ASSY, SPLASH GUARD BACKSI
16	LCA000331514	1	INSERT, TANK
15	LCA-0003315-09	1	SLIDE, CHIP
14	LC-0003315-11	1	SUPPORT, VERTICAL SCREEN
13	LC-0003315-12	1	BLOCK, LCL CASTER MOUNTIN
12	LCC-0000221-SG	1	ASSY, SPLASH GUARD NEARSI
11	LC-0003315-03	2	BLOCK, LCL CASTER MOUNTIN
10	NC-0010884	.01	LOCTITE ADHESIVE
9	MW-0103610	20	M6 WASHER, FLAT
8	MW-0183610	20	WASHER, M6 LOCK
7	MS-0303617	20	SCREW, M6 x 16mm BTHD
6	LCA-0003315-08	1	SCREEN, LCL COOLANT TANK
5	LCA-0003315-02	1	SCREEN, LCL VERTICAL
4	LC-0011557	5	CASTER, LCL SWIVEL
3	LCA-0001990-19	1	MOUNT, LCL COOLANT PUMP
2	LC-0001990-07	4	SUPPORT, COOLANT SCREEN
1	2000038	1	#14 GA (.0697)
ITEM	PART NUMBER	QTY	DESCRIPTION

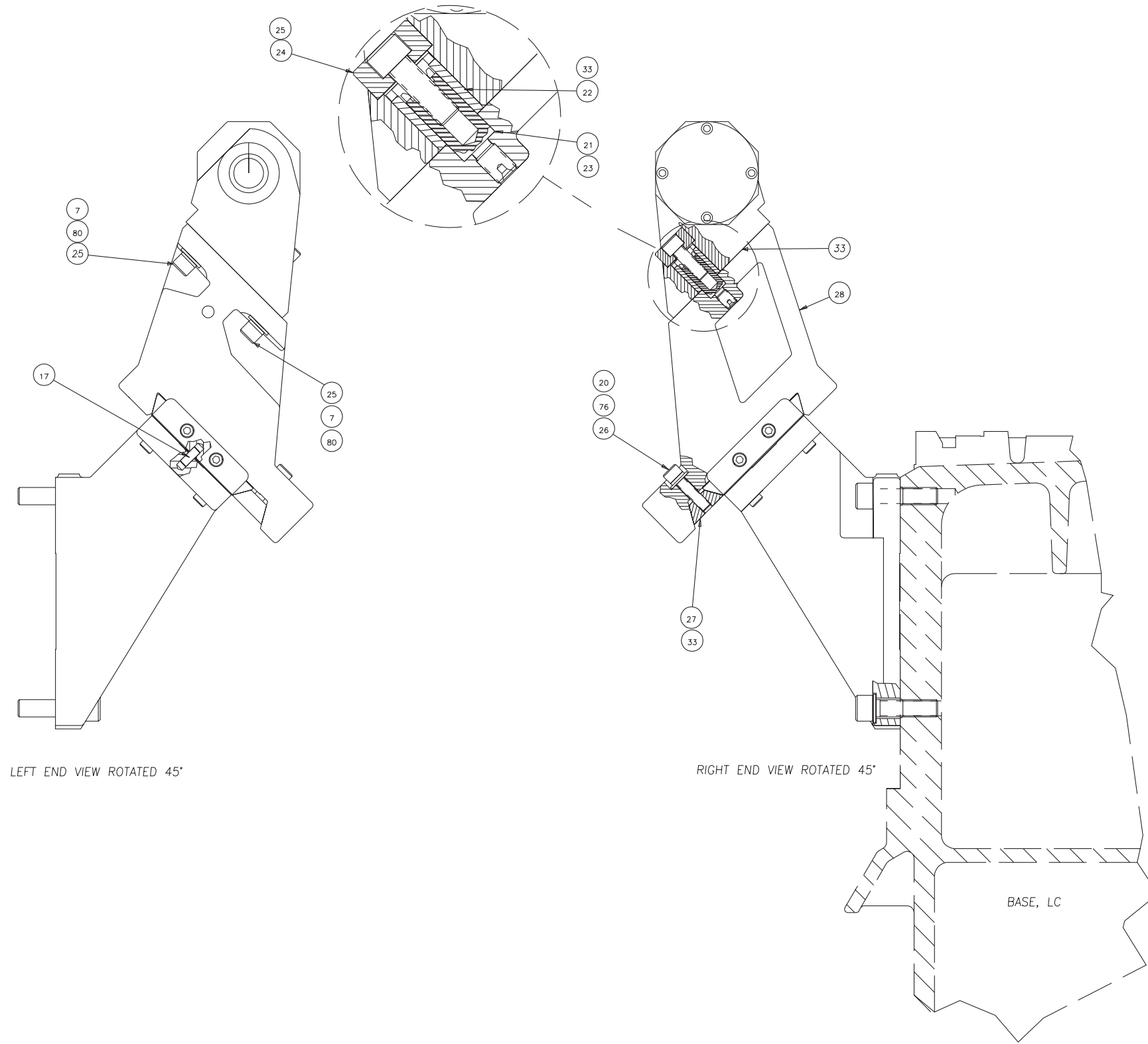


Turret Assembly

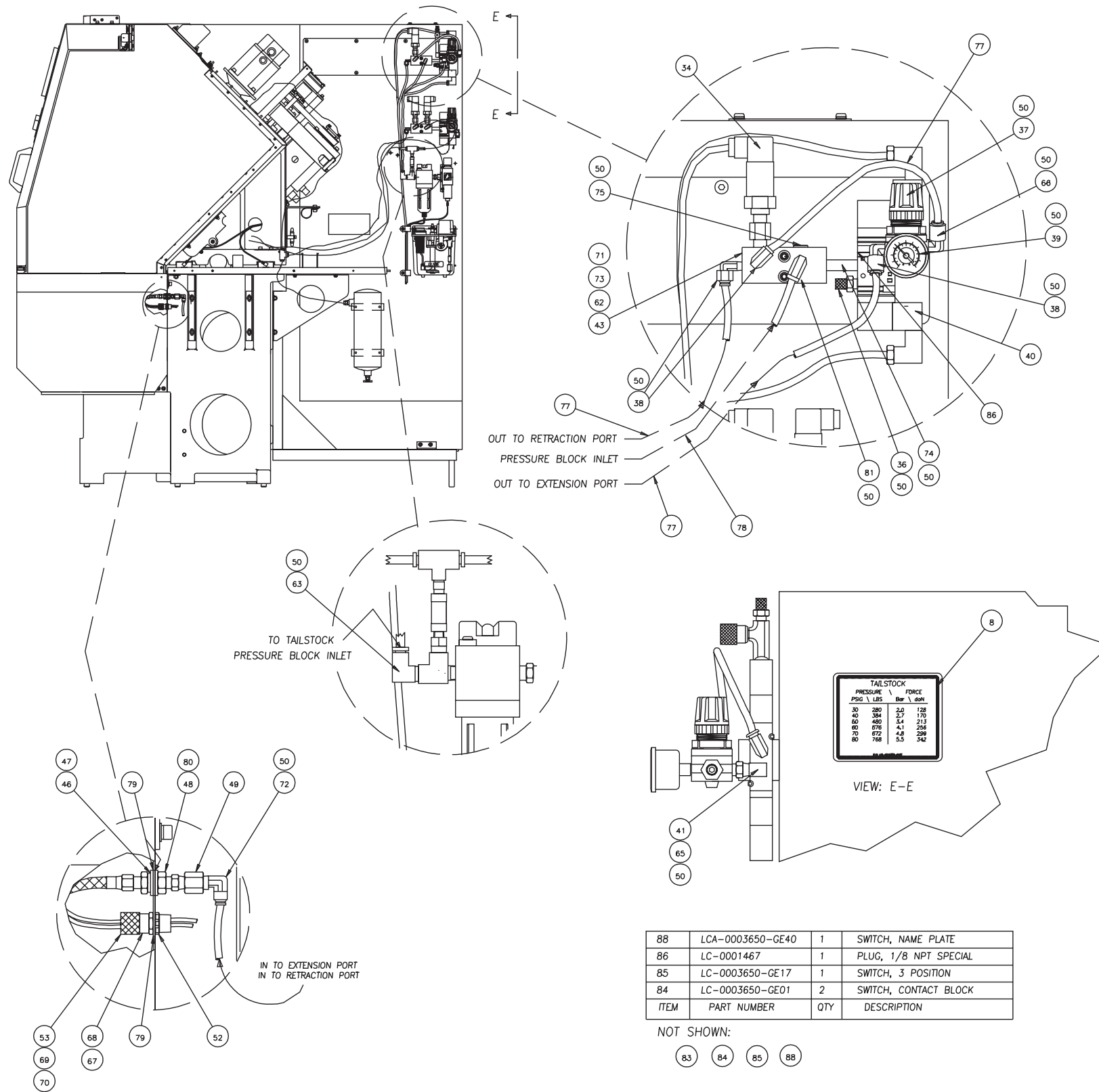
79	MW-0193610	8	WASHER, M6 LOCK SQ
78	NC-0006709	2	PIN, DOWEL
77	SG-0007702	1	FITTING, PRESLOCK ST
76	SG-0007702-A9	2	MALE SWIVEL ELL 1/4"
75	375-0001467	1	PLUG, PIPE 3/8" NPT
74	SB-0001914	1	PLUG, PIPE 1/4" NPT
73	LC-0011198-02	1	SEAL, POLYPAK
72	OR-0136139	1	O-RING, 8.487ID x .103 CS
71	S-0010700-03	2	LEE PLUG, 218 SHORT
70	LC-0011157	2	WASHER, THRUST
69	LC-0004749	1	BEARING, THRUST
67	MS-0103621	8	SCREW, SOC HD CP M6-1.0 x
59	VS-0010440	6.999999999999999	GREASE
53	NC-0010884-01	.01	LOCTITE 222-31
52	MS-0303514	10	SCREW, M5-0.8 BUT HD x 8m
51	CS-0010994	8.999999999999999	GREASE, MOBIL 28
50	MW-0194010	16	WASHER, M10 LOCK
49	MS-0104021	8	SCREW, M10 SOC HD CP x 35
48	MS-0103821	4	SCREW, M8-1.25 SOC HD CP x
46	MW-0193810	12	WASHER, M8 SQ LOCK
45	MS-0103820	8	SCREW, M8 SOC HD CP x 30m
44	MS-0103819	8	SCREW, M8 SOC HD CP x 25m
43	NC-0010884	.03	LOCTITE 242
42	SG-0011792-4T	1	COUPLING, TOP PLATE (12 S
41	MW-0104010-H	8	WASHER, M10 FLAT
40	MS-0104020	8	SCREW, M10 SOC HD CP x 35
39	CSA-0011792-4H	1	COUPLING, HOUSING (12 STA
34	LT-0010884-S	.2	SEALANT, PIPE
20	LCA-0010768	1	CAP, REAR PISTON
19	LC-0009813-04	1	RING, SEAL
18	LCA-0007201	1	HOUSING, TURRET
17	OR-0123128	1	O-RING, 7.734ID x .139 CS
16	LC-0011138-03	2	SEAL, 3" CUP
15	LCC001113808	1	SEAL, 8" CUP
13	SB-0010884-S	.3	SEALANT, HYDRAULIC
12	SL-0010884	.1	LOCTITE 635
11	LC-00009487	1	STUD, ENCODER
10	LC-0007306	1	KEY, PISTON
8	LC-0012076	.007	WAX, PROTECTIVE
7	LC-0003177-D	1	PULLEY, DRIVEN (75 TOOTH)
6	LC-0011455	1	PISTON
5	375-0008231	1	RING, RETAINING 3-3/4ID
4	LC-0011487	1	BEARING KEEPER
2	LC-0009653	1	RETAINER, THRUST BEARING
1	LC-0004145	2	BEARING, NEEDLE
ITEM	PART NUMBER	QTY	DESCRIPTION



Tailstock Assembly (Option)



Tailstock Assembly (Option)



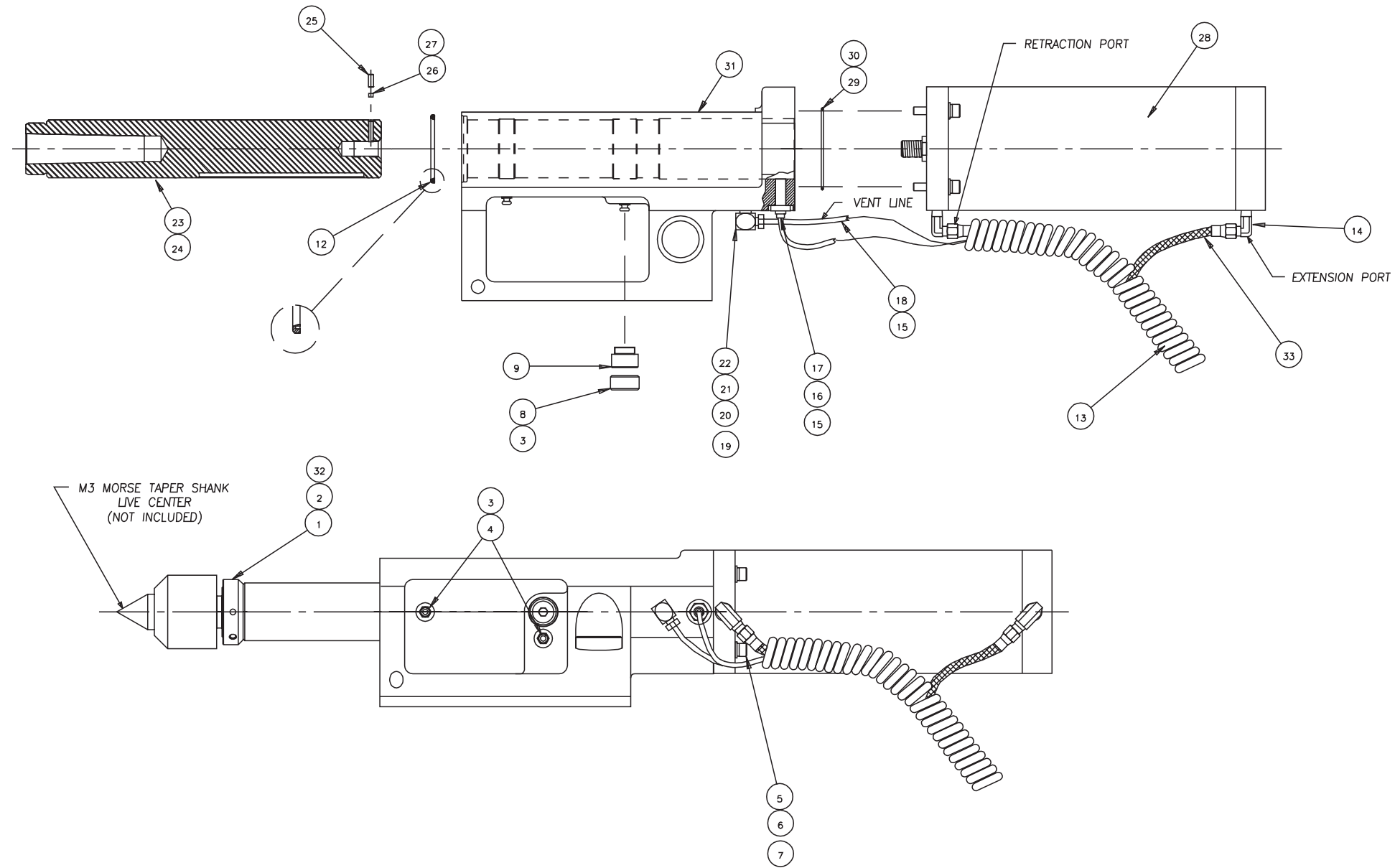
ITEM	PART NUMBER	QTY	DESCRIPTION
88	LCA-0003650-GE40	1	SWITCH, NAME PLATE
86	LC-0001467	1	PLUG, 1/8 NPT SPECIAL
85	LC-0003650-GE17	1	SWITCH, 3 POSITION
84	LC-0003650-GE01	2	SWITCH, CONTACT BLOCK

NOT SHOWN:

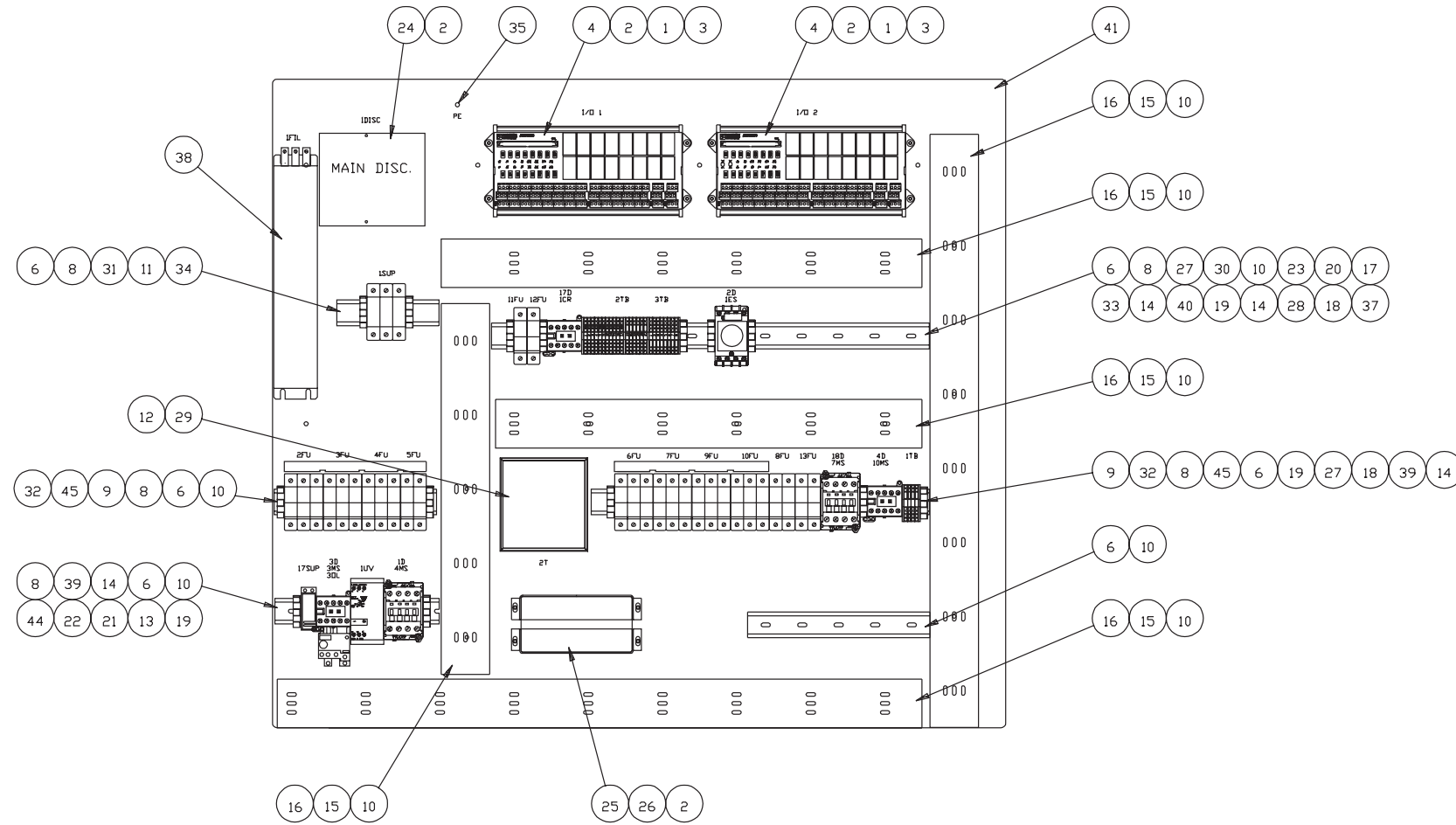
- (83) (84) (85) (88)

83	MC-000256-02	1	PLATE, NAME
81	HG-0007702-01	1	CONN, 90 1/8NPT x 5/16TU
80	MW-0194210	6	M12 WASHER, LOCK
79	GE-0010884	.02	SILICONE, GE
78	HG-0007007	5	TUBE, 5/16 OD
77	AH-0007007-NF	24.75	TUBE, 0.250 O.D.
76	MW-0194010	2	M10 WASHER, LOCK
75	5-0001914	1	PLUG, 1/4 NPT
74	NT-0003504	1	NIPPLE, 1-1/2" x 1/8 NPT
73	MW-0103510	2	M5 WASHER, FLAT
72	FR-0007702-02	2	CONNECTOR, 90 DEG 1/4NPT
71	NC-0010884-01	.01	LOCTITE 222
70	DB-0009207-W	1	WASHER
69	SB-0009532	1	GROMMET, 2 x .156
68	DB-0009207-9A	1	BODY, 1/2"
67	50-0010226	1	SEALING RING, 1/2"
66	ST-0007703	1	90° FITTING, AIR, SWIVE
65	KH-0003504-01	1	NIPPLE, 1/8NPT
63	CL-0007702-02	1	ELBOW, MALE 90 DEG
62	MS-0103521	2	M5 SCREW, SHCS x 35mm
54	LC-0001990-52	2	STOP, TAILSTOCK
53	DB-0009207-9B	1	NUT, PLAIN
52	AH-0011508	1	LOCKNUT, 1/2"
50	LT-0010884-S	.13	SEALANT, PIPE
49	LC-0007703-03	2	ADAPTER, 37DEG JICx1/4NPT
48	LC-0007703-02	2	BULKHEAD FITTING, 4JIC
47	MW-0104210	4	WASHER, M12 FLAT
46	CL-0002840-01	2	WASHER, FLAT 7/16 HARDENE
43	HG-0010234-2	1	BLOCK
41	CT-0007709-01	1	ELBOW, ST 1/8 NPT
40	LC-0003048-04	1	VALVE, 4 WAY 3 POSITION
39	AHA-0011537	1	GAUGE
38	FR-0007702-03	3	90° CONN 1/8NPT x 1/4"
37	LC-0010779-2	1	REGULATOR, PRESSURE
36	CT-0011335	1	MUFFLER
34	HGB-0011736-1	1	PRESSURE SWITCH
33	CS-0010994	.3	GREASE
31	MW-0193810	16	M8 WASHER, LOCK
28	LC-0000574	1	SUB-BASE, TAILSTOCK
27	LC-0007633-01	1	CLAMP, SUB-PLATE
26	MS-0104022	2	M10 SCREW, SHCS x 40mm
25	MS-0104221	3	M12 SCREW, SHCS x 35mm
24	CS-0003230-02	1	WASHER, CLAMP
23	NC-0010884	2	LOCTITE ADHESIVE
22	LC-0011304	1	SLEEVE, ECCENTRIC
21	CL-0011052	1	PIVOT
20	MW-0104010	2	M10 WASHER, FLAT
17	CD-0004900	1	PIN, DOWEL 5/16 x 3/4 LG
14	MS-0103820	16	M8 SCREW, SHCS x 30mm
13	MS-0103816	4	M8 SCREW, SHCS x 12mm
11	MS-0104625	8	M16 SCREW, SHCS x 55mm
10	SG-0002840	8	WASHER, HARDENED M16
8	LCA-0010366-01CE	1	TAG, TAILSTOCK PR/FORCE
7	CS-0003230-1	2	M12 WASHER, FLAT HARDENED
6	LCA-0000003-SA	1	SUB ASSEMBLY, TAILSTOCK
3	LC-0008042-Z	1	BED PLATE - Z, TAILSTOCK
1	LC-0000262-T	1	BASE, TAILSTOCK

Tailstock Subassembly (Option)



33	LC 0007004	2	HOSE, BRAIDED 36" LONG
32	37 0000483	2	PLUG, BRASS
31	LCA0000401	1	TAILSTOCK BODY
30	RF 0010994	.1	GREASE, MOBIL 55
29	OR 0003840	1	O-RING
28	LC 000291701	1	CYLINDER, TAILSTOCK LC
27	NC 001088401	.01	LOCTITE 222
26	BP 0000402	1	PLUG, BRASS M4
25	MS 0553415	1	SCREW, SET M4 x 10mm LG
24	CS 0010994	.1	GREASE
23	LCA0000405	1	SPINDLE, TAILSTOCK
22	HG 0011259	1	ADAPTER - BIJUR #15320-2
21	CL 001203406	1	INSERT, TUBE - BIJUR #192
20	HG 0011060	1	SLEEVE - BIJUR #B-B272
19	HG 001106001	1	BUSHING - BIJUR #15326
18	CS 0007007	3	TUBING - BIJUR #5N25
17	LC 0003279TSPS	1	PROX. SENSOR N.O.
16	GK 0010884	.01	ULTRA-BLUE
15	CL 0009938	6	INSULATING SLEEVE
14	AH 001078504	2	ELBOW, 1/4 NPT x MALE JIC
13	RH 001162201	3	SLEEVE, COIL PLASTIC
12	LC 0009431	1	SEAL
9	LH 0011006	1	SPINDLE KEY
8	0102207	1	SCREW, SET 7/8-14
7	MW 0193610	4	WASHER, M6 LOCK SQ
6	MW 0103610	4	WASHER, M6 FLAT
5	MS 0103620	4	SCREW, SOC HD CAP M6 x 30
4	VL 0010327	2	FITTING, LUB. (6 mm)
3	LT 0010884 S	.02	SEALANT, PIPE
2	MS 0553512	2	M5 SCREW, SSCP x 5mm
1	LC 0004068 R	1	NUT, RELEASE
ITEM	PART NUMBER	QTY	DESCRIPTION

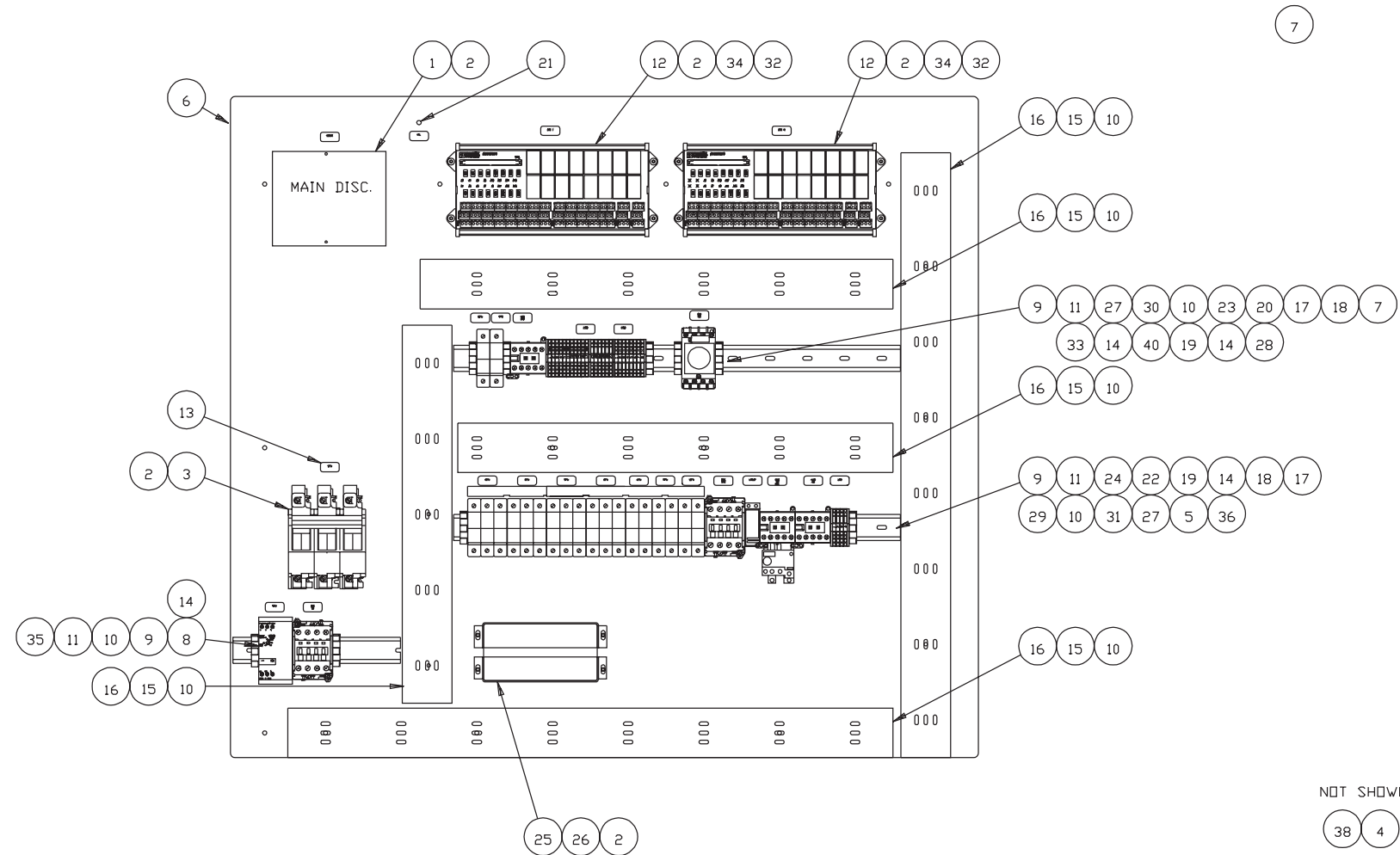


NOT SHOWN

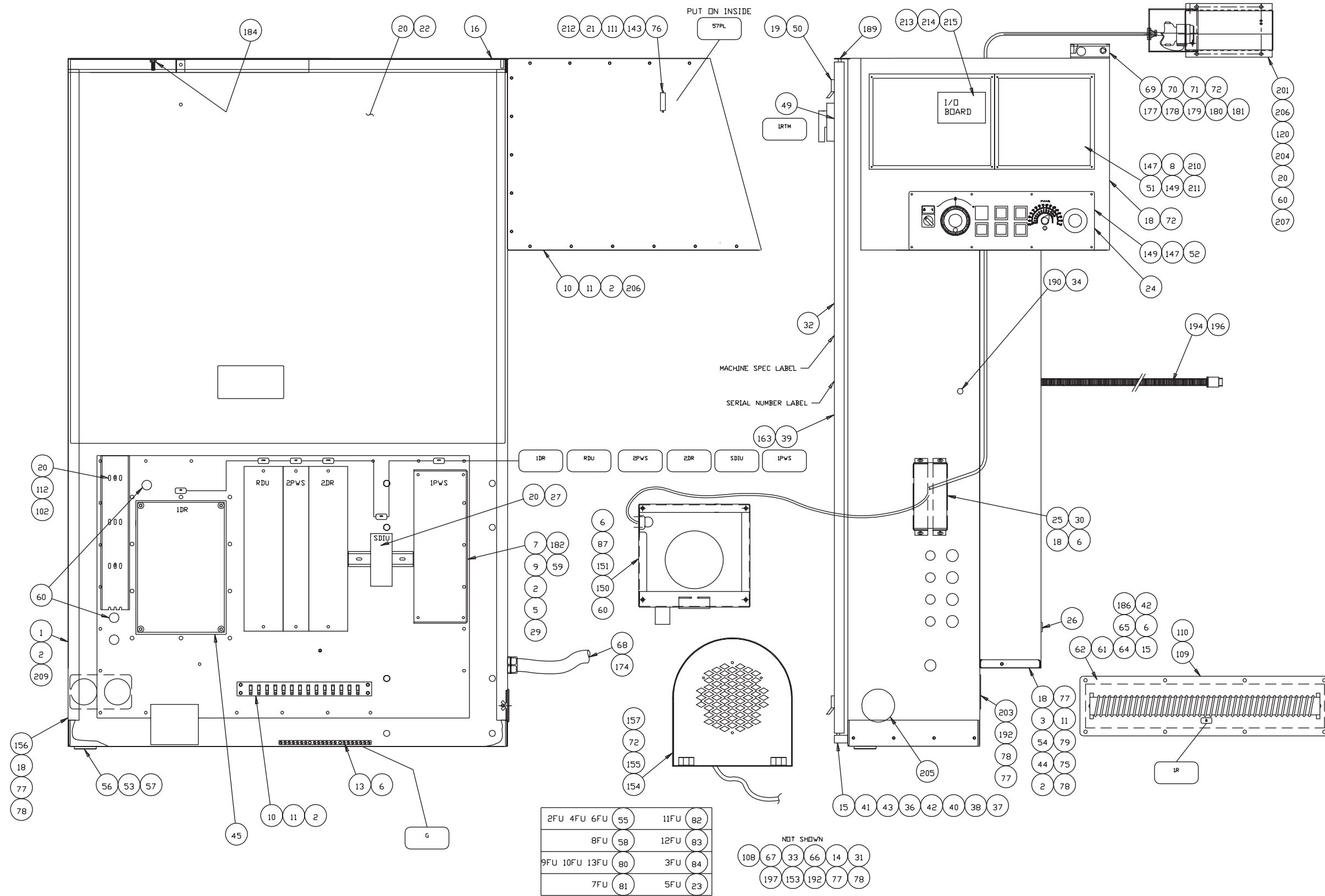
42 43

ITEM	PART NUMBER	QUANTITY	DESCRIPTION
1	LC 000812203	21.000	RELAY, MINI 24VDC
2	LC 0032316	14.000	SCREW, THR'D CUT-8-32 X 1/2
3	LC 0009623	21.000	CLIP, RETAINING
4	LC 0011791	2.000	I/O MODULE PHOENIX
6	CK 9011032	2.100	RAIL, DIN BLANK
8	HG 001103204	14.000	END STOP
9	LC 0010017	7.000	HOLDER, FUSE 3P/W/O IND CC
10	LC 0011942PR	24.000	RIVET, POP OPEN END
11	LC 001213502	1.000	BUS BAR, 3 POINT
12	LC 000877602	1.000	TRANSFORMER, 350VA
13	LC 001129801	1.000	SUPPRESSOR, SURGE 400V
14	LC 0011298	6.000	SUPPRESSOR, CONTACTOR
15	HG 001082108	11.180	COVER, FDR DUCT (HG 10821)
16	HG 0010821	11.180	DUCT
17	HG 0009175	0.200	MARKER, STRIP 1-10
18	HG 001103202	18.000	TERMINAL BLOCK, GREEN/YELLOW
19	LC 0010361	3.000	CONTACTOR, 24VDC
20	HG 000917501	0.100	MARKER, STRIP 11-20
21	LCA001001946	1.000	OVERLOAD, 0.85-1.30A
22	LC 001179102	1.000	CONTROLLER, ELECTROMATIC 3PHA
23	HG 000917502	0.100	MARKER, STRIP 21-30
24	LCA001001601	1.000	SWITCH, DISCONNECT 100A 600V
25	HG 000415813	2.000	BRACKET, FOAM
26	HG 0011350	2.000	FILTER, FOAM
27	HG 001103203	6.000	END PLATE
28	SG 001001703	2.000	HOLDER, FUSE 1P/W/O IND.CC F
29	MN 0283610	4.000	NUT, M6X10, SER HEX FLNG
30	HG 0011032	11.000	TERMINAL BLOCK, GRAY
31	LC 001213501	3.000	SURGE ABSORBER BASE
32	LC 001001701	3.000	HOLDER, FUSE 2P/W/O IND CC
33	LC 000812202	1.000	RELAY, 24VDC - 4ND
34	LC 0012135	3.000	SURGE ABSORBER
35	MN 0113813	2.000	NUT, M8 X 1.25 BRASS
37	HG 001103205	2.000	JUMPER, 10 POLE
38	18 001129809	1.000	FILTER, EMI NOISE 42A
39	LC 0010016	2.000	CONTACTOR, 3 POLE 24VDC
40	LC 0011371	1.000	TIMER, 01-40S OFF DELAY
41	LCA000190402	1.000	PANEL, EMC UPPER COMP. MTG
42	LC 0003279WCFS	1.000	WIRE PACKAGE - CE PWRCASE PL
43	LC 0012024DBFS	1.000	DATABASE, WIRE & CABLE LC42-FS
44	LC 000838401	1.000	ADAPTER, DIN RAIL
45	SG 0010017BB01	2.000	BUS BAR, 4 3 POLE BREAKER

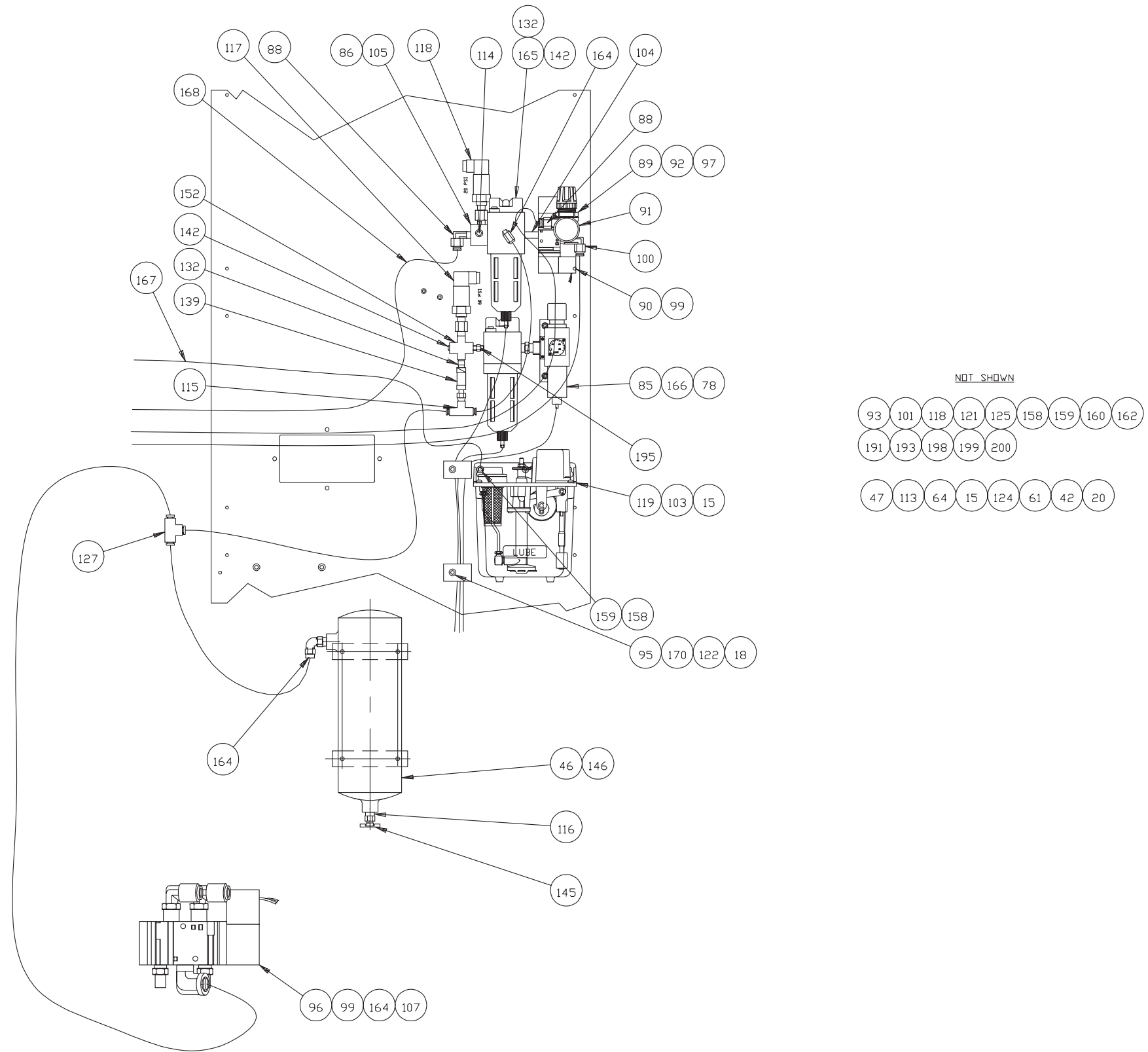
Power Case Panel Assembly, Non-CE Mark



ITEM	PART NUMBER	QUANTITY	DESCRIPTION
1	LCA001001601	1.000	SWITCH, DISCONNECT 100A 600V
2	LC 0032316	19.000	SCREW, THR'D CUT-8-32 X 1/2
3	SG 001001704	1.000	HOLDER, FUSE 3P 125A
4	LC 0012024DBFS	1.000	DATABASE WIRE & CABLE LC42-F
5	EC 0011298	1.000	SUPPRESSDR, SURGE
6	LCA0001904	1.000	PANEL, DDM UPPER COMP MTG
7	HG 001103205	1.500	JUMPER, 10 POLE
8	LC 0010016	1.000	CONTACTOR, 3 POLE 24VDC
9	CK 9011032	1.430	RAIL, DIN BLANK
10	LC 0011942PR	22.000	RIVET, POP OPEN END
11	HG 001103204	9.000	END STOP
12	LC 0011791	2.000	I/O MODULE PHOENIX
13	F3 000997701	26.000	LABEL, ID
14	LC 0011298	6.000	SUPPRESSDR, CONTACTOR
15	HG 001082108	11.180	COVER, FOR DUCT (HG 10821)
16	HG 0010821	11.180	DUCT
17	HG 0009175	0.400	MARKER, STRIP 1-10
18	HG 001103202	18.000	TERMINAL BLOCK, GREEN/YELLOW
19	LC 0010361	3.000	CONTACTOR, 24VDC
20	HG 000917501	0.100	MARKER, STRIP 11-20
21	MN 0113813	2.000	NUT, M8 X 1.25 BRASS
22	LC 001001701	3.000	HOLDER, FUSE 2P/W/D IND CC
23	HG 000917502	0.100	MARKER, STRIP 21-30
24	LC 0010017	4.000	HOLDER, FUSE 3P/W/D IND CC
25	HG 000415813	2.000	BRACKET, FDAM
26	HG 0011350	2.000	FILTER, FDAM
27	HG 001103203	6.000	END PLATE
28	SG 001001703	2.000	HOLDER, FUSE 1P/W/D INDCC F
29	LCA001001904	1.000	OVERLOAD, 1.0-1.6A
30	HG 0011032	11.000	TERMINAL BLOCK, GRAY
31	SG 0010017BB01	2.000	BUS BAR, 4 3 POLE BREAKER
32	LC 0009623	21.000	CLIP, RETAINING
33	LC 000812202	1.000	RELAY, 24VDC - 4ND
34	LC 000812203	21.000	RELAY, MINI 24VDC
35	LC 001179101	1.000	CONTROLLER, ELECTROMATIC 3PHA
36	EC 0008384	2.000	ADAPTER, DIN RAIL
38	LC 0003279WFS	1.000	WIRE PACKAGE, POWERCASE PLAT
40	LC 0011371	1.000	TIMER, 0.1-40S OFF DELAY



Power Case Assembly, CE Mark

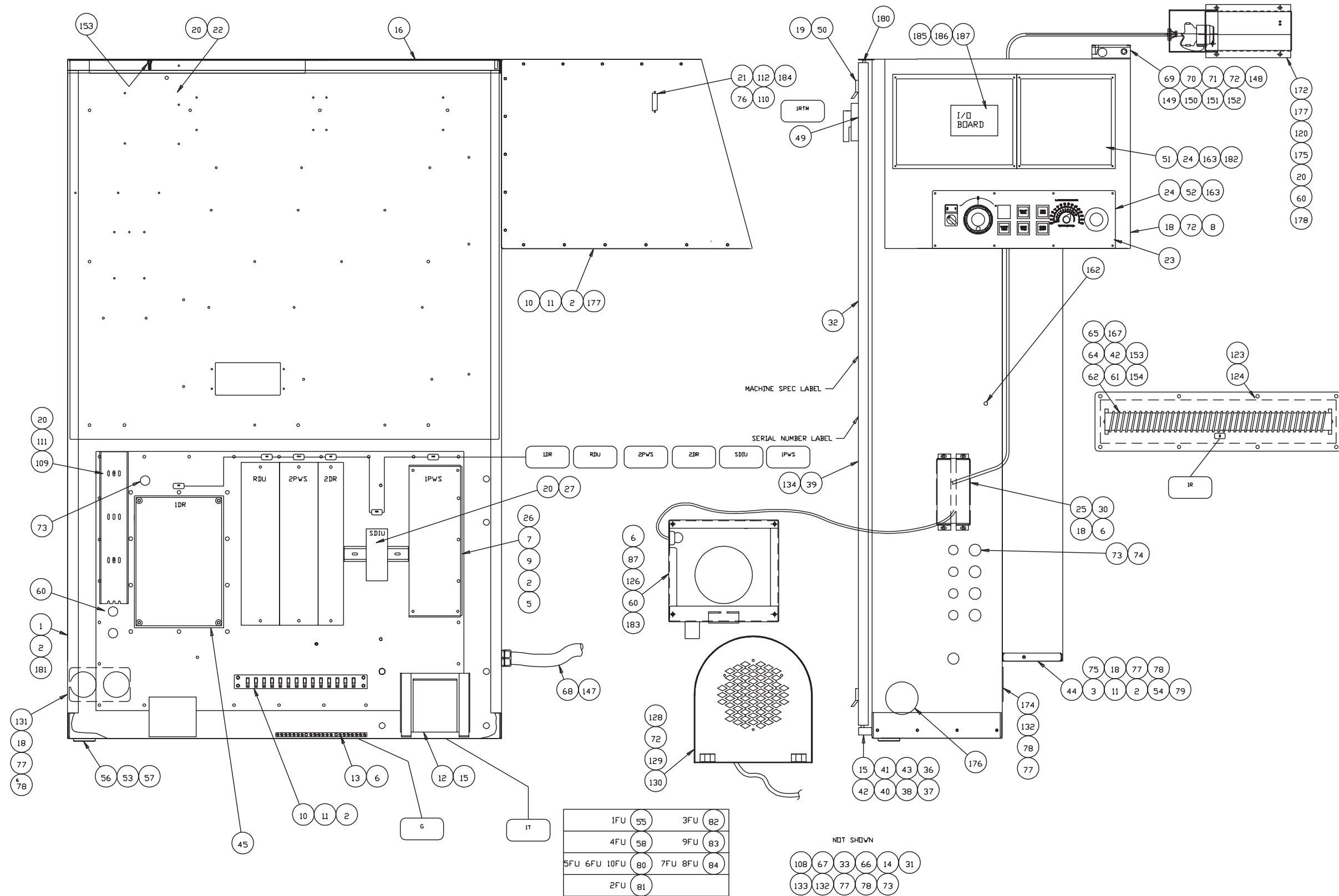


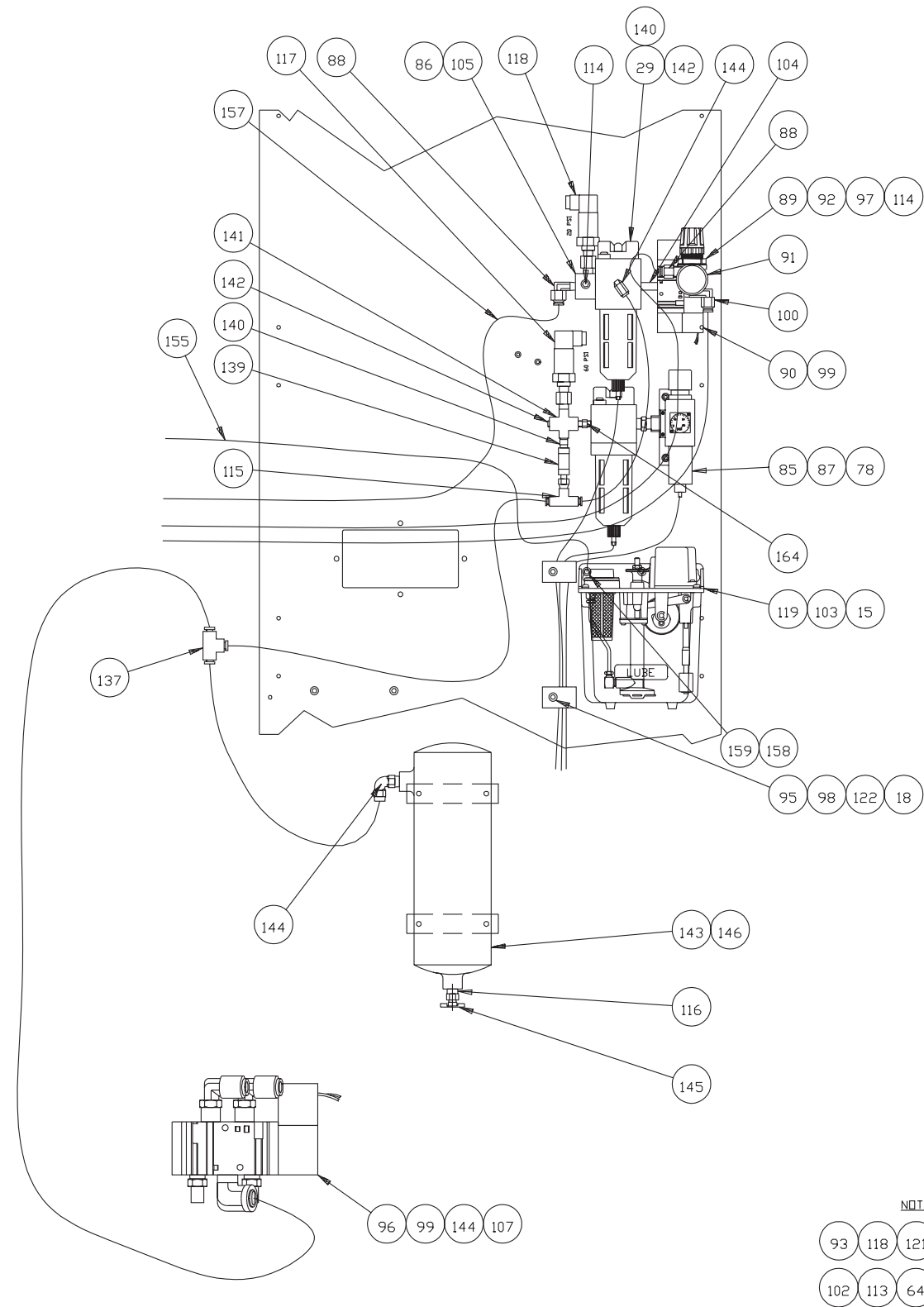
ITEM	PART NUMBER	QUANTITY	DESCRIPTION
1	MS 0313415	4.000	SCREW_FLAT HD SDC M4X.7X12MM
2	MW 0263410	28.000	WASHER, EXT. STAR M4
3	MN 0113410	8.000	NUT, HEXAGON, 934 PLATED
5	SG 001019001	4.000	STANDOFF
6	MN 0283510	16.000	NUT, MSX0.8, SER HEX FLNG
7	1B 0008776PS	1.000	POWER SUPPLY, 24VDC, 7.2 AMP
8	1B 001188604	1.000	KEY SHEET - CE
9	MS 0303416	8.000	SCREW, BT. HD. M4X.7, X 12MM
10	SG 001082104	2.000	SUPPORT, CABLE BAR
11	MS 0303417	16.000	SCREW, BT. HD. M4X.7, X 16MM
13	SB 0011888	1.000	KIT, GROUND BAR
14	F3 0009977	16.000	LABEL, CABLE
15	MN 0283610	17.000	NUT, M6X1.0, SER HEX FLNG
16	LC 0004158EPCF	1.000	POWER CASE ENCLOSURE ASSY-EMC
18	MS 0303515	21.000	SCREW, BT. HD. MSX.8, X 10MM
19	VL 0011738	14.000	LATCH, DOOR, VISE ACTION
20	LC 0011942PR	21.000	RIVET, POP OPEN END
21	CN 0012042 B	1.000	BLOCKS, LATCHING
22	LC 0003279PEFS	1.000	UPPER COMP. MTG. PANEL ASSY
23	SG 000961006	2.000	FUSE, 2A CLASS CC
24	LC 0003279MCE	1.000	PANEL ASSY, EMC W/MPG E-STOP
25	HG 000415813	2.000	BRACKET, FDM
26	CN 000953204	1.000	GROMMET
27	CK 9011032	0.137	RAIL, DIN BLANK
29	SG 001011544	1.000	COVER, POWER SUPPLY - CEMARK
30	HG 0011350	2.000	FILTER, FDM
31	CK 000918820	18.000	FERRULES, 20 AWG
32	CSB001030203CE	1.000	TAG, CAUTION ELEC. ENCLOSURE
33	LC 0003279WPF2	1.000	WIRE PACKAGE, HV POWERCASE
34	LC 0032316	1.000	SCREW, THR'D CUT-8-32 X 1/2
36	MW 0193610	2.000	WASHER, LOCK DIN-7980 M6X1.0
37	SG 000415810	1.000	BRACKET, DOOR HINGE MTG.
38	SG 000415811	1.000	SPACER, NYLON (P.C. DOOR)
39	LCA0003780EM01	1.000	DOOR, POWER CASE
40	MS 0103618	2.000	SCREW, SDC.HD.CAP M6X1.0X16M
41	SGA000415809	1.000	PLATE, DOOR HINGE (BOTTOM)
42	MW 0103610	20.000	WASHER, FLAT M6 STEEL
43	SG 000415808	1.000	PLATE, DOOR HINGE (TOP)
44	CN 001134901	2.000	FAN
45	LC 0011849HVCE	1.000	DRIVE, SPINDLE - 10 HP, 460V
46	LC 0011614AR	1.000	RECEIVER, AJR
47	LCA000199030	1.000	BRACKET, SPINDLE MOTOR DRIVE
49	CL 0010646	1.000	METER, RUN TIME
50	VL 001173801	2.000	DOOR PULL
51	SG 001011603	4.160	GASKET, EMI
52	LC 001011642FS	1.000	GASKET, E-STOP, I-SERIES
53	MW 0195010	2.000	WASHER, LOCK SQ. M20
54	LC 0011350	1.000	FILTER, PLENUM FAN
55	SG 000961020	9.000	FUSE, CLASS CC - 30A
56	LC 0009455	1.000	FOOT, POWERCASE
57	MN 0115010	1.000	NUT, 934 REGULAR M20 X 2.5
58	SG 0009610	2.000	FUSE, 1-6/10A CLASS CC
59	NC 000953205	1.000	GROMMET
60	SG 0009532	5.000	GROMMET
61	MW 0183610	18.000	M6 REG. LOCKWASHER
62	LC 001047201	1.000	RESISTOR, 35 OHM, 1500 W
64	MS 0303616	12.000	SCREW, BT. HD. M6X1.0 X 12MM
65	LCA0001904RM1	1.000	PLATE, RESISTOR MOUNTING
66	LC 0003011CEF S	1.000	CABLE PKG-CE

ITEM	PART NUMBER	QUANTITY	DESCRIPTION
67	LC 0012024DBFS	1.000	DATABASE WIRE & CABLE LC42-F
68	700001022901	1.000	CONDUIT ASSEMBLY - 3/4 IN
69	LC 0010224	1.000	SWITCH, LCL FRONT DOOR
70	LCA000199020	1.000	SPACER, DOOR SWITCH
71	MS 0303518	3.000	SCREW, BT. HD. MSX.8, X 20MM
72	MW 0263510	11.000	WASHER, STAR EXT. M5 STEEL
75	LCA0004158FM	1.000	MDUNT, POWERCASE FAN
76	VL 000962303	1.000	CLAMP, CABLE 0.078"
77	MW 0103510	19.000	WASHER, FLAT M5 X .8 STEEL
78	MW 0183510	21.000	WASHER, LOCK REG. M5 X .8 SC
79	CN 0011349FG	2.000	GUARD FAN
80	SG 000961001	8.000	FUSE, 5A CLASS CC
81	SG 000961002	3.000	FUSE, 15A CLASS CC
82	SG 000961007	1.000	FUSE, 3A CLASS CC
83	SG 000961012	1.000	FUSE, 1/2A, CLASS CC
84	SG 000961004	3.000	FUSE, 2-1/2A CLASS CC
85	LC 0010779 A	1.000	FILTER/REG. ASSEM. - MAIN AI
86	MS 0103521	2.000	SCREW, SDC. HD. CAP.M5X.8X35
87	MS 0103818	2.000	SCREW, SDC.HD.CAP M8X1.25X20
88	HG 000770201	2.000	CONNECTOR, 1/8 90 DEGREE
89	AH 0010779	1.000	REGULATOR
90	LC 000304803	1.000	VALVE, DIRECTIONAL-5 WAY-2 P
91	AHA0011537	1.000	GAUGE
92	KH 000350401	1.000	NIPPLE, 1/8 HEX BRASS
93	LC 0010462	1.000	BRAKE, X AXIS
95	LC 000700701	3.000	TUBING, FLEXIBLE
96	LC 000304802	1.000	VALVE, DIRECTIONAL-5 WAY-2 P
97	CT 000770901	1.000	ELBOW
99	CT 0011335	4.000	MUFFLER
100	CL 000770203	1.000	ELBOW, 90 DEG MALE (SWIVEL)
101	LD 0003168	1.000	PNEUMATIC VALVE LAYOUT
102	HG 0010821	1.200	DUCT
103	MS 0553619	3.000	SCREW, SDC.SET CUP M6X1.0X25
104	NT 0003504	1.000	NIPPLE, PIPE
105	HG 001023402	1.000	BLOCK, PRES. SW.
107	SG 0007702A9	2.000	ELBOW, MALE SWIV 1/4OD X 1/4N
108	F3 000997701	20.000	LABEL, ID
109	LCA0010302CE	1.000	TAG, ELECTRICAL HAZARD-CEMAR
110	R 0008044	4.000	PIN ESCUTCHED
111	0170004	1.000	SCREW, BIND. HD-SS 4-40X1/4
112	HG 001082108	1.200	COVER, FDR DUCT (HG 10821)
113	LC 000199031	2.000	BRACE, SPINDLE MOTOR DRIVE B
114	S 0001467	1.000	PLUG, PIPE
115	HG 000770202	1.000	TEE, SWIVEL MALE BRANCH
116	AUA0010785	1.000	BUSHINGS
117	HGB0011736	1.000	PRESSURE SWITCH
118	HGB001173601	2.000	PRESSURE SWITCH ASSEMBLY
119	LCA000332501	1.000	PUMP, LUBE
120	LCA0008915H1	1.000	HOLDER, MEDIUM LAMP
121	CL 001022402	1.000	SWITCH PROXIMITY
122	MS 0303519	2.000	SCREW, BUTTDN HD. MSX.8X25MM
124	MS 0303617	10.000	SCREW, BT. HD. M6X1.0 X 16MM
125	LT 0010884 S	0.010	SEALANT, PIPE
127	CL 000770205	1.000	TEE, UNIDN
132	VL 0003504	2.000	NIPPLE, PIPE
139	SBA001145201	1.000	VALVE CHECK
142	S 0001914	2.000	PLUG, PIPE
143	VL 000362301	2.000	WASHER, EXT TDDTH-#4 STAINLE
145	AH 0011552	1.000	1/8 DRAIN COCK

ITEM	PART NUMBER	QUANTITY	DESCRIPTION
146	MS 0303616SA	4.000	SCREW, SDC.SET CUP M6X1.0X16
147	MW 0103310SS	16.000	WASHER, FLAT REGULAR M3X.5 S
149	MS 0303315SS	16.000	SCREW, B HD. M3X.5X10MM SSSTE
150	LC 0002533WAFS	1.000	ASSEMBLY, COOLANT CATCHER
151	CLA000365002	1.000	SWITCH, ROLLER
152	SB 000191401	1.000	CROSS BRASS
153	HG 000415811	1.000	COVER, PC MAIN POWER DROP
154	LCA0011734HA	1.000	HOUSING, SPINDLE FAN
155	MS 0303517	4.000	SCREW, BUTTDN HD. MSX.8X16MM
156	LCA0010115LB	1.000	COVER
157	CC 001134901	1.000	MAJOR FAN
158	SG 0007702A8	2.000	ELBOW, MALE SWIV 1/4OD X 1/8N
159	HG 0008384	2.000	ADAPTER
160	HG 000700702	10.000	TUBING, 1/4 OD NYLON
162	SGA0010884 C	0.800	ADHESIVE, CONDUCTIVE
163	SG 001011602	18.000	GASKET, EMI/RFI(6"LENGTHS)
164	CL 000770202	3.000	ELBOW, 90 DEG MALE (PARKER)
165	LC 001077901	1.000	FILTER, COALESCING .01 PPM
166	MS 0103518	2.000	SCREW, SDC. HD. CAP.M5X.8X20
167	SG 0007007 T	7.000	TUBING, 5/32 OD
168	HG 0007007	32.000	TUBING - 5/16 O.D.
170	CF 0009623	2.000	CLAMPS CABLE
174	75 0010226	2.000	GASKET ASSEMBLY 3/4 INCH
177	DB 0009207 W	1.000	WASHER CONNECTOR
178	DB 00092079B	1.000	NUT CONNECTOR COMPRESS
179	DB 00092079A	1.000	BODY CONNECTOR
180	DB 00092079E	1.000	GROMMET
181	NC 0011298	1.000	RECTIFIER (SILICON)
182	CN 0009532	1.000	GROMMET
184	MN 0113813	2.000	NUT, M8 X 1.25 BRASS
186	MS 0303514	8.000	SCREW, BT. HD. M5 X .8 X 8MM
189	SG 000179912	1.000	SPACER, PC & 1/0 CASE DOOR
190	RH 0009623	1.000	CLAMP, CABLE
191	SG 00112980275	3.000	FERRITE CORE, .275"
192	MS 0303516	8.000	SCREW, BUT.HD.M5X.8X12MM
193	SG 00112980402	2.000	FERRITE CORE, .402"
194	LC 0010229	3.350	CONDUIT, PLASTIC PGI1
195	AD 0007710	1.000	HEX NIPPLES
196	LC 001022901	1.000	FITTING, ST PGI1 PLASTIC
197	LC 000877601	1.000	TRANSFORMER, 9KVA, CE
198	NC 0010884	0.010	LOCTITE ADHESIVE
199	LC 000199094	1.000	BRACKET, TRANSFORMER
200	LC 001011508	1.000	COVER, TRANSFORMER
201	LC 0008915 H	1.000	HOUSING, LIGHT
203	LC 0010115LTCC	1.000	COVER, LESS TRANSFORMER CONDU
204	LC 0008915HG	1.000	GUARD, LIGHT HOUSING
205	LC 001033101	1.000	COVER, HOLE
206	DV 0010546	4.000	NUT FOR GROUNDING POST
207	LM 0008104	1.000	TY-RAP
208	LD 0003882	1.000	FUSE LAYOUT
209	LC 0010115LBC	1.000	
210	LC 0010116CFS	1.000	GASKET, CRT, I-SERIES
211	LC 0010116MFS	1.000	GASKET, MDI, I-SERIES
212	0170006	1.000	BLOCKS, LATCHING
213	MN 0113310	4.000	NUT
214	LC 0003623SP	4.000	SPACER, NYLON
215	LC 0003623W	4.000	WASHER, NYLON

Power Case Assembly, Non-CE Mark



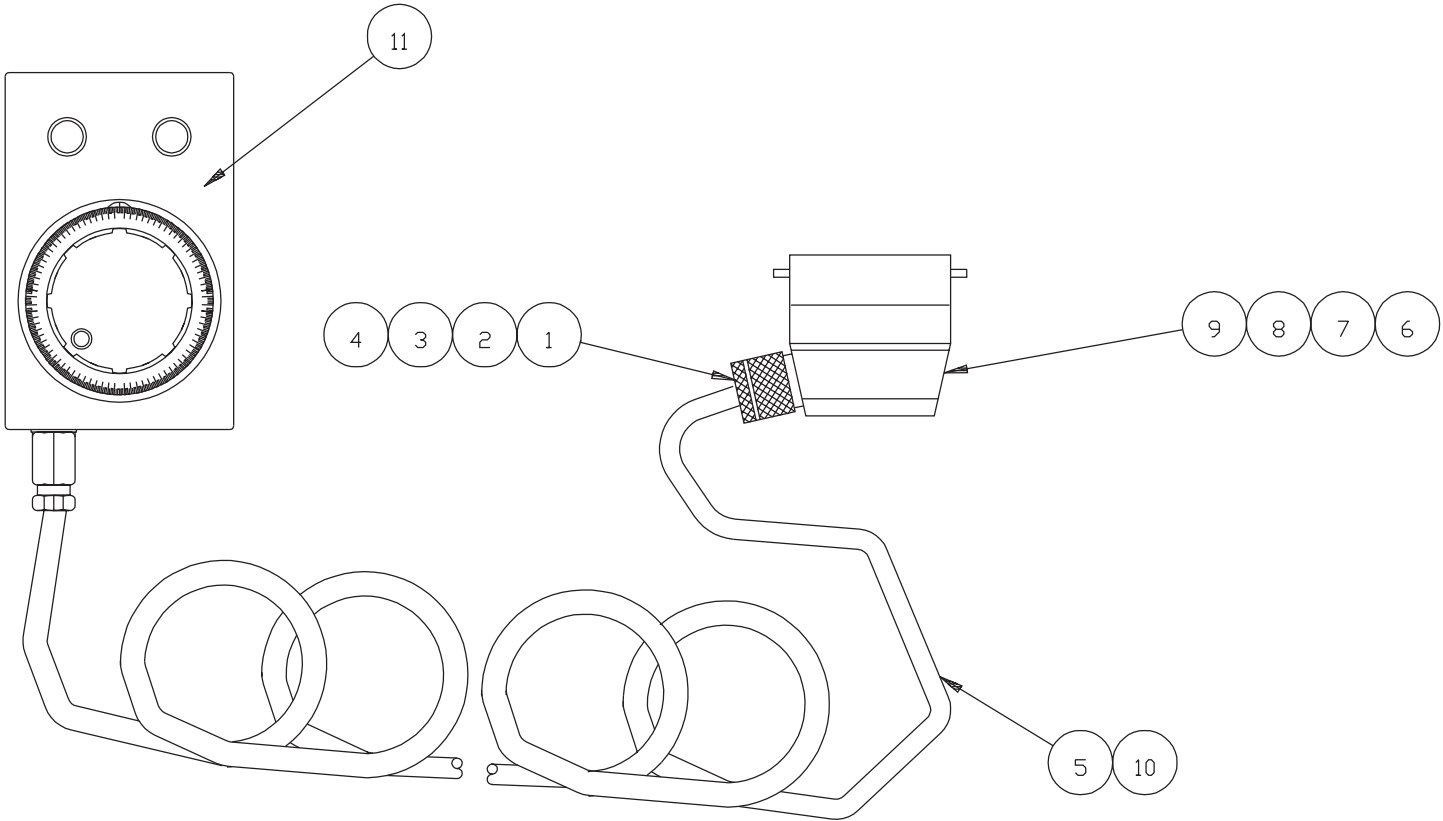


Power Case Assembly, Non-CE Mark

ITEM	PART NUMBER	QUANTITY	DESCRIPTION
1	MS 0313415	4.000	SCREW, FHDSCT M4 X .7 X 10MM
2	MW 0263410	28.000	WASHER, EXT. STAR M4
3	MN 0113410	8.000	NUT, HEXAGON, 934 PLATED
5	SG 001019001	4.000	STANDOFF
6	MN 0283510	8.000	NUT, M5X0.8, SER HEX FLNG
7	1B 0008776PS	1.000	POWER SUPPLY, 24VDC, 7.2 AMP
8	SBA0006966	4.000	CLAMP
9	MS 0303416	4.000	SCREW, BT. HD. M4X.7,X 12MM
10	SG 001082104	2.000	SUPPORT, CABLE BAR
11	MS 0303417	16.000	SCREW, BT. HD. M4X.7,X 16MM
12	AHA0008776	1.000	TRANSFORMER CONTROL
13	SB 0011888	1.000	KIT, GROUND BAR
14	F3 0009977	16.000	LABEL, CABLE
15	MN 0283610	13.000	NUT, M6X1.0, SER HEX FLNG
16	LC 0004158PCFS	1.000	POWERCASE ENCLOSURE ASSY - D
18	MS 0303515	21.000	SCREW, BT. HD. M5X.8,X 10MM
19	VL 0011738	2.000	LATCH, DOOR, VISE ACTION
20	LC 0011942PR	21.000	RIVET, PDP OPEN END
21	CN 0012042 B	1.000	BLOCKS, LATCHING
22	LC 0003279PFS	1.000	ASSY, U.PANEL LC(DDM)/211
23	LCA0003279ES	1.000	E-STOP PANEL ASSEMBLY
24	MS 0303315SS	16.000	SCREW, B HD. M3X.5X10MM SSTE
25	HG 000415813	2.000	BRACKET, FDM
26	CN 0009532	1.000	GROMMET
27	CK 9011032	0.150	RAIL, DIN BLANK
29	LC 001077901	1.000	FILTER, COALESCING .01 PPM
30	HG 0011350	2.000	FILTER, FDM
31	CK 000918820	18.000	FERRULES, 20 AWG
32	CSB001030203CE	1.000	TAG, ELEC. ENCL., CE ENG.
33	LC 0003279WPFSS	1.000	WIRE PACKAGE, POWERCASE
36	MW 0193610	2.000	WASHER, LOCK DIN-7980 M6X1.0
37	SG 000415810	1.000	BRACKET, DOOR HINGE MTG.
38	SG 000415811	1.000	SPACER, NYLON (P.C. DOOR)
39	LCA0003780PC	1.000	DOOR, POWERCASE
40	MS 0103618	2.000	SCREW, SDC HD. CAP M6X1.0X20MM
41	SGA000415809	1.000	PLATE, DOOR HINGE (BOTTOM)
42	MW 0103610	20.000	WASHER, FLAT M6 STEEL
43	SG 000415808	1.000	PLATE, DOOR HINGE (TOP)
44	CN 001134901	2.000	FAN
45	LC 0011849	1.000	DRIVE, SPINDLE - 7.5 HP, 30A
49	CL 0010646	1.000	METER, RUN TIME
50	VL 001173801	2.000	DOOR PULL
51	LC 0010116CFS	1.000	GASKET, CRT, I-SERIES
52	LC 001011642FS	1.000	GASKET, E-STOP PANEL
53	MW 0195010	1.000	WASHER, LOCK SQ. M20
54	LC 0011350	1.000	FILTER, PLENUM FAN
55	LC 0009610	3.000	FUSE, GI 22X X 58MM, 50A
56	LC 0009455	1.000	FOOT, POWERCASE
57	MN 0115010	1.000	NUT, 934 REGULAR M20 X 2.5
58	SG 0009610	2.000	FUSE, 1-6/10A CLASS CC
60	SG 0009532	4.000	GROMMET
61	MW 0183610	18.000	M6 REG. LOCKWASHER
62	LC 001047202	1.000	RESISTOR, 11 OHM, 1500 W
64	MS 0303616	12.000	SCREW, BT. HD. M6X1.0 X 12MM
65	LCA0001904RM1	1.000	PLATE, RESISTOR MOUNTING
66	LC 0003011CPFS	1.000	CABLE PKG-DOMESTIC
67	LC 0012024DBFS	1.000	DATABASE WIRE & CABLE LC42-F
68	700001022901	1.000	CONDUIT ASSEMBLY - 3/4 IN
69	LC 0010224	1.000	SWITCH, LCL FRONT DOOR

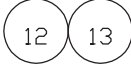
ITEM	PART NUMBER	QUANTITY	DESCRIPTION
70	LCA000199020	1.000	SPACER, DOOR SWITCH
71	MS 0303518	3.000	SCREW, BT. HD. M5X.8,X 20MM
72	MW 0263510	11.000	WASHER, STAR EXT. M5 STEEL
73	CK 001033101	8.000	CAP PLUG 7/8
74	6 0010331	4.000	PLUG CAP
75	LCA0004158FM	1.000	MDUNT, POWERCASE FAN
76	VL 000962303	1.000	CLAMP, CABLE 0.078"
77	MW 0103510	19.000	WASHER, FLAT M5 X .8 STEEL
78	MW 0183510	21.000	WASHER, LOCK REG. M5 X .8 SC
79	CN 0011349FG	2.000	GUARD FAN
80	SG 000961001	8.000	FUSE, 5A CLASS CC
81	SG 000961002	3.000	FUSE, 20A CLASS CC
82	SG 000961007	3.000	FUSE, 3A CLASS CC
83	SG 000961012	1.000	FUSE, 1/2A, CLASS CC
84	SG 000961019	3.000	FUSE, 7A CLASS CC
85	LC 0010779 A	1.000	FILTER/REG. ASSEM. - MAIN AI
86	MS 0103521	2.000	SCREW, SDC. HD. CAP.M5X.8X35
87	MS 0103518	4.000	SCREW, SDC. HD. CAP.M5X.8X20
88	HG 000770201	2.000	CONNECTOR, 1/8 90 DEGREE
89	AH 0010779	1.000	REGULATOR
90	LC 0003048	1.000	VALVE, DIRECTIONAL-5 WAY-2 P
91	AHA0011537	1.000	GAUGE
92	KH 000350401	1.000	NIPPLE, 1/8 HEX BRASS
93	LC 0010462	1.000	BRAKE, X AXIS
95	LC 000700701	3.000	TUBING, FLEXIBLE
96	LC 000304801	1.000	VALVE, DIRECTIONAL-5 WAY-2 P
97	CT 000770901	1.000	ELBOW
98	CF 0009623	2.000	CLAMPS CABLE
99	CT 0011335	4.000	MUFFLER
100	CL 000770203	1.000	ELBOW, 90 DEG MALE (SWIVEL)
101	LD 0003168	1.000	PNEUMATIC VALVE LAYOUT
102	LCA000199030	1.000	BRACKET, SPINDLE MOTOR DRIVE
103	MS 0553619	3.000	SCREW, SDC.SET CUP M6X1.0X25
104	NT 0003504	1.000	NIPPLE, PIPE
105	HG 001023402	1.000	BLOCK, PRES. SW.
106	MS 0303617	10.000	SCREW, BT. HD. M6X1.0 X 16MM
107	SG 0007702A9	2.000	ELBOW, MALE SWIV 1/4DD X 1/4N
108	F3 000997701	20.000	LABEL, ID
109	HG 0010821	1.200	DUCT
110	VL 000362301	2.000	WASHER, EXT TOOTH-#4 STAINLE
111	HG 001082108	1.200	COVER, FDR DUCT (HG 10821)
112	0170004	2.000	SCREW, BIND. HD-SS 4-40X1/4
113	LC 000199031	2.000	BRACE, SPINDLE MOTOR DRIVE B
114	S 0001467	2.000	PLUG, PIPE
115	HG 000770202	1.000	TEE, SWIVEL MALE BRANCH
116	AJA0010785	1.000	BUSHINGS
117	HGB0011736	1.000	PRESSURE SWITCH
118	HGB001173601	2.000	PRESSURE SWITCH ASSEMBLY
119	LCA000332501	1.000	PUMP, LUBE
120	LCA0008915H1	1.000	HOLDER, MEDIUM LAMP
121	CL 001022402	1.000	SWITCH PROXIMITY
122	MS 0303519	2.000	SCREW, BUTTON HD. M5X.8X25MM
123	R 0008044	4.000	PIN ESCUTCHEDN
124	LCA0010302CE	1.000	TAG, ELECTRICAL HAZARD
126	CLA000365002	1.000	SWITCH, ROLLER
128	CC 001134901	1.000	MAJOR FAN
129	MS 0303517	4.000	SCREW, BUTTON HD. M5X.8X16MM
130	LCA0011734HA	1.000	HOUSING, SPINDLE FAN
131	LCA0010115LB	1.000	COVER

ITEM	PART NUMBER	QUANTITY	DESCRIPTION
132	MS 0303516	8.000	SCREW, BUT.HD.M5X.8X12MM
133	LC 000190401	1.000	PLATE, POWER SUPPLY
134	CN 00119801	18.000	SEAL, DOOR
135	LT 0010884 S	0.010	SEALANT, PIPE
137	CL 000770205	1.000	TEE, UNION
139	SBA001145201	1.000	VALVE CHECK
140	VL 0003504	2.000	NIPPLE, PIPE
141	SB 000191401	1.000	CROSS BRASS
142	S 0001914	2.000	PLUG, PIPE
143	LC 0011614AR	1.000	RECEIVER, AIR
144	CL 000770202	3.000	ELBOW, 90 DEG MALE (PARKER)
145	AH 0011552	1.000	1/8 DRAIN COCK
146	MS 0303616SA	4.000	SCREW ASSEMBLY, 6MX1X12MM LD
147	75 0010226	2.000	GASKET ASSEMBLY 3/4 INCH
148	DB 0009207 W	1.000	WASHER CONNECTOR
149	DB 00092079B	1.000	NUT CONNECTOR COMPRESS
150	DB 00092079A	1.000	BODY CONNECTOR
151	DB 00092079E	1.000	GROMMET
152	NC 0011298	1.000	RECTIFIER (SILICONE)
153	MN 0113813	4.000	NUT, M8 X 1.25 BRASS
154	MS 0303514	2.000	SCREW, BT. HD. M5 X .8 X 8MM
155	SG 0007007 T	7.000	TUBING, 5/32 OD
157	HG 0007007	32.000	TUBING - 5/16 O.D.
158	SG 0007702A8	1.000	ELBOW, MALE SWIV 1/4DD X 1/8N
159	HG 0008384	1.000	ADAPTER
160	HG 000700702	10.000	TUBING, 1/4 DD NYLON
162	RH 0009623	1.000	CLAMP, CABLE
163	MW 0103310SS	16.000	WASHER, FLAT REGULAR M3X.5 S
164	AD 0007710	1.000	HEX NIPPLES
167	MN 0283810	2.000	NUT, M8 X 1.25, SER.HEX FLNG
172	LC 0008915 H	1.000	HOUSING, LIGHT
174	LC 0010115LTCC	1.000	COVER, LESS TRANSFORMER CONDU
175	LC 0008915HG	1.000	GUARD, LIGHT HOUSING
176	LC 001033101	1.000	COVER, HOLE
177	DV 0010546	4.000	NUT FOR GROUNDING POST
178	LM 0008104	1.000	TY-RAP
179	LD 0003882	1.000	LAYOUT, FUSE - T42 DDM. & CE
180	SG 000179912	1.000	SPACER, PC & 1/0 CASE DOOR
181	LC 0010115LBC	1.000	COVER, LESS BATTERY
182	LC 0010116MFS	1.000	GASKET, MDI, I-SERIES
183	LC 0002533WAFS	1.000	SWITCH, ROLLER
184	0170006	1.000	SCREW, BINDING HD-SS 4-40X3/
185	MN 0113310	4.000	NUT, M3 X .5
186	LC 0003623SP	4.000	SPACER, NYLON
187	LC 0003623W	4.000	WASHER, NYLON

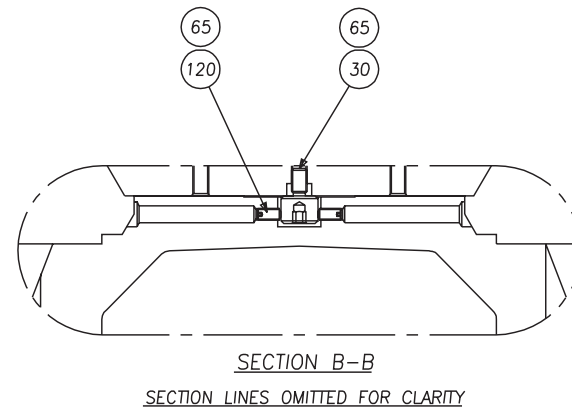
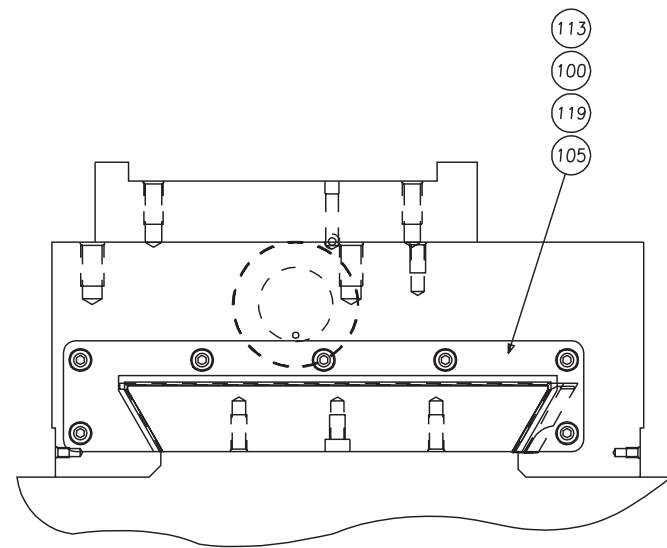
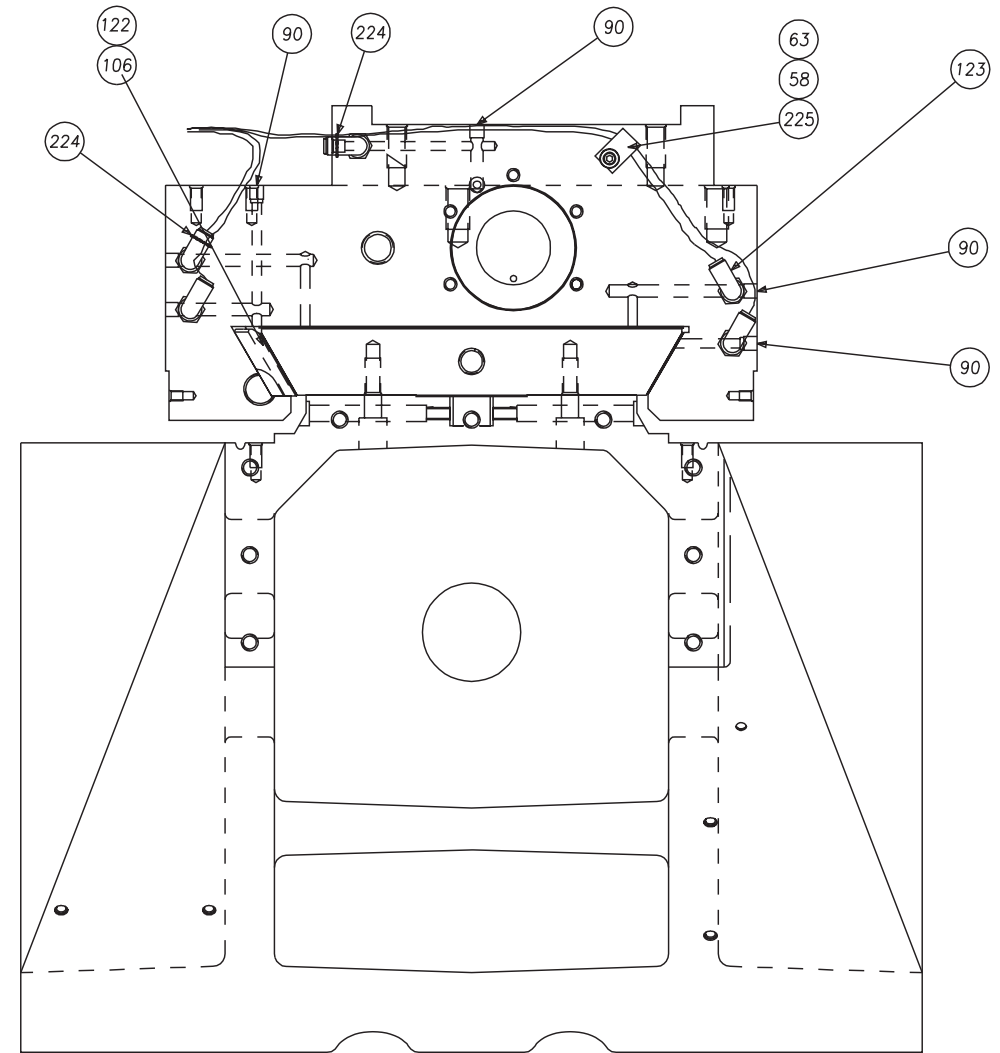
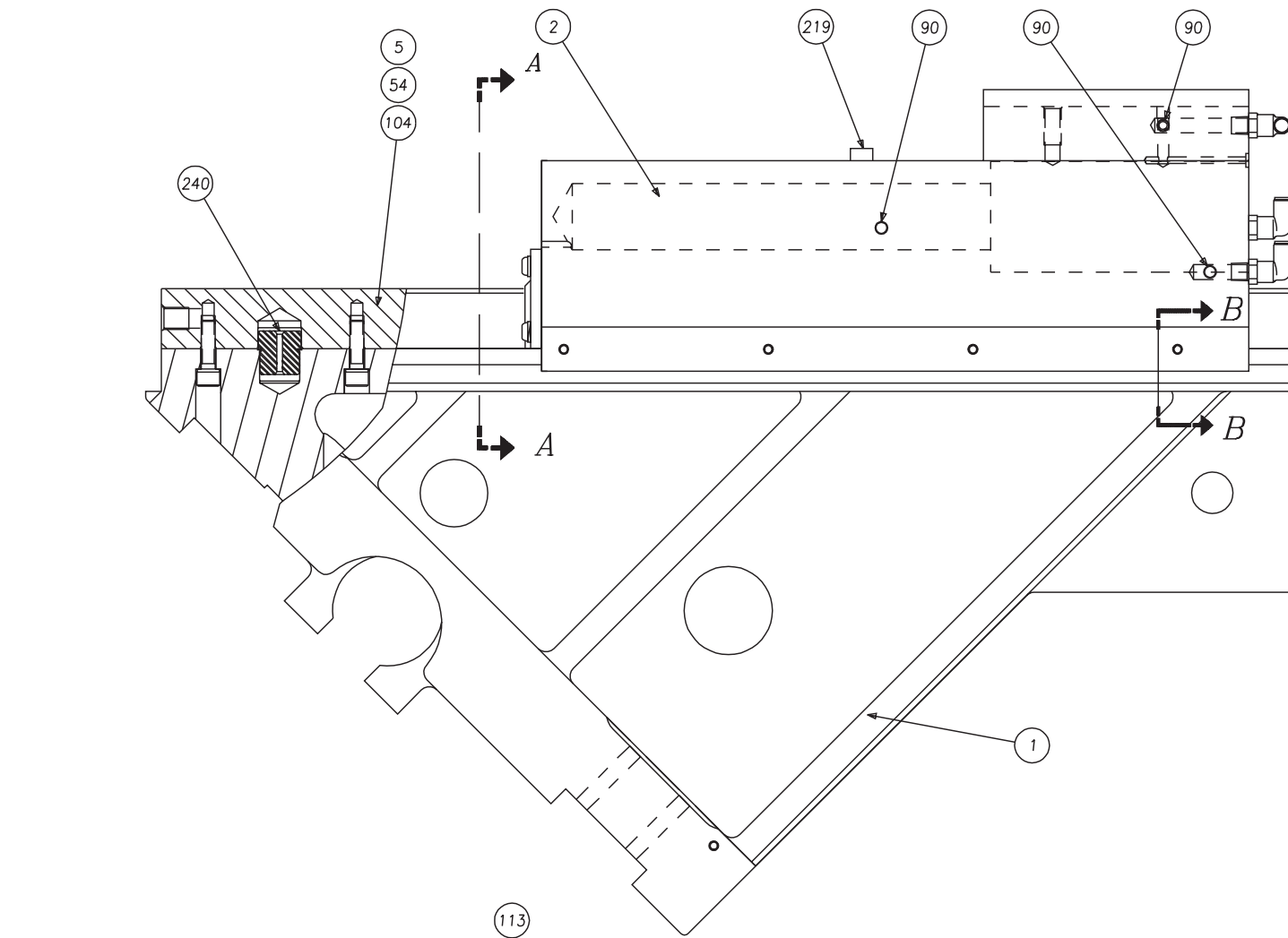


ITEM	PART NUMBER	QUANTITY	DESCRIPTION
1	DB 00092079B	1.000	NUT CONNECTOR COMPRESS
2	DB 00092079A	1.000	BODY CONNECTOR
3	DB 00092079E	1.000	GROMMET
4	DB 0009207 W	1.000	WASHER CONNECTOR
5	MC 000301102	1.000	CABLE, 12 CONDUCTOR - COILED
6	MC 001183401	1.000	HOOD, CONNECTOR
7	MC 000786401	12.000	PIN, MALE 26-22 AWG
8	MC 001204201	1.000	CONNECTOR, 15 POS. MALE
9	MC 0006709	2.000	CODE PIN, CONNECTOR
10	22 000918813	12.000	TERMINAL, WIRE
11	VL 0011796	1.000	MPG, PENDANT TYPE
12	LC 0003011MPG	1.000	CABLE PACKAGE - MPG
13	LC 000199064	1.000	BRACKET, MPG

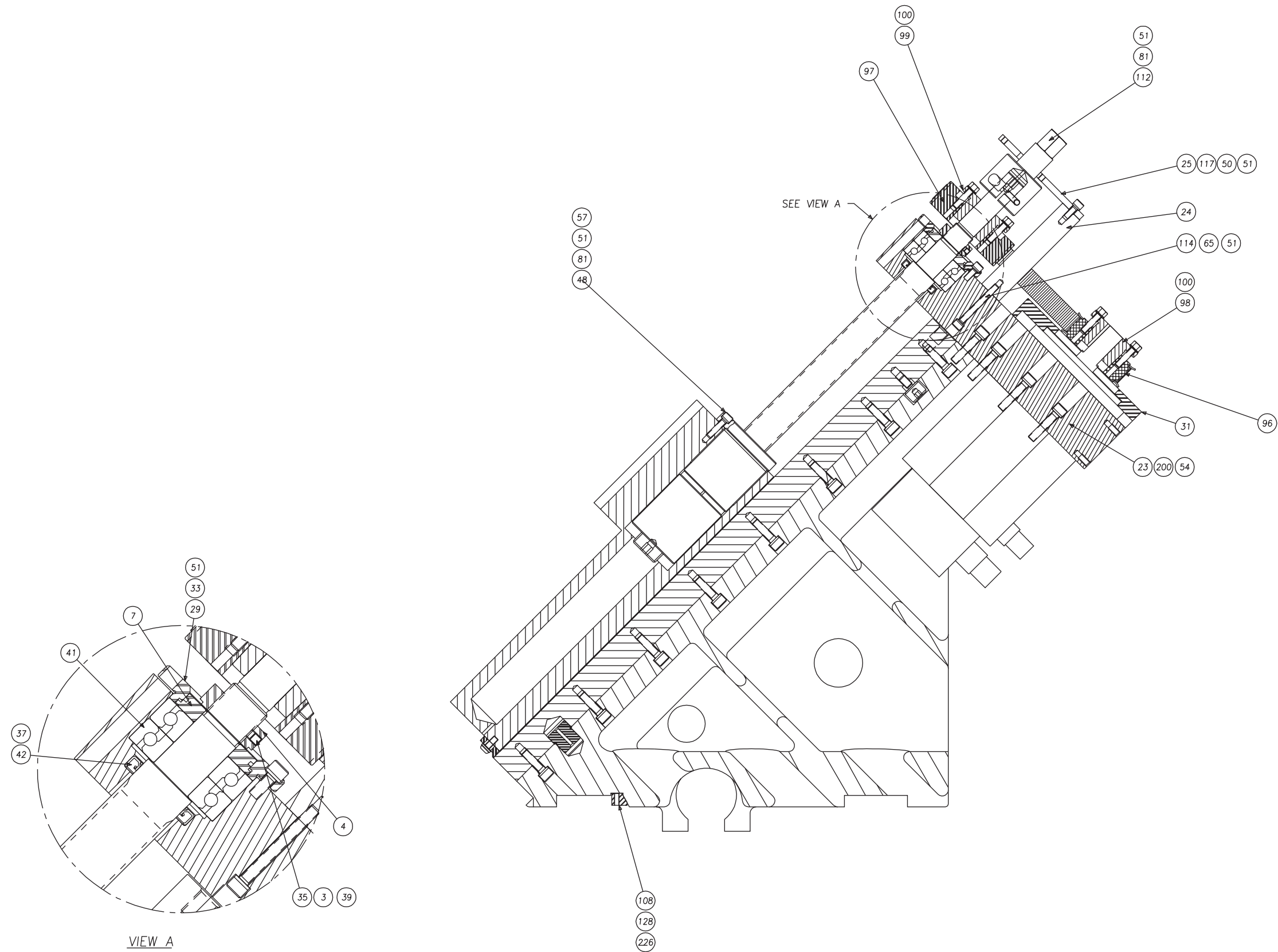
NOT SHOWN



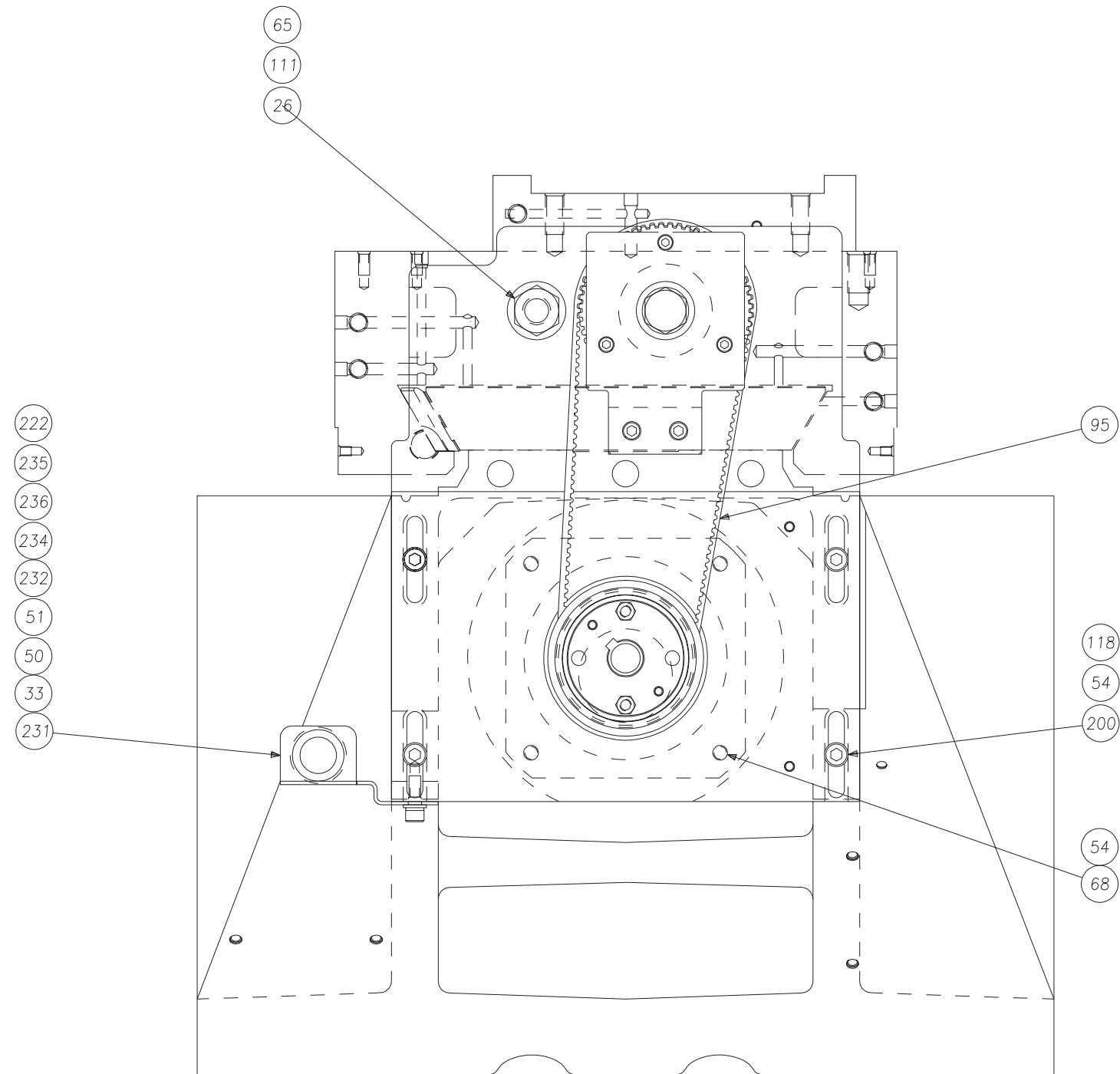
Carriage and Cross Slide Assembly

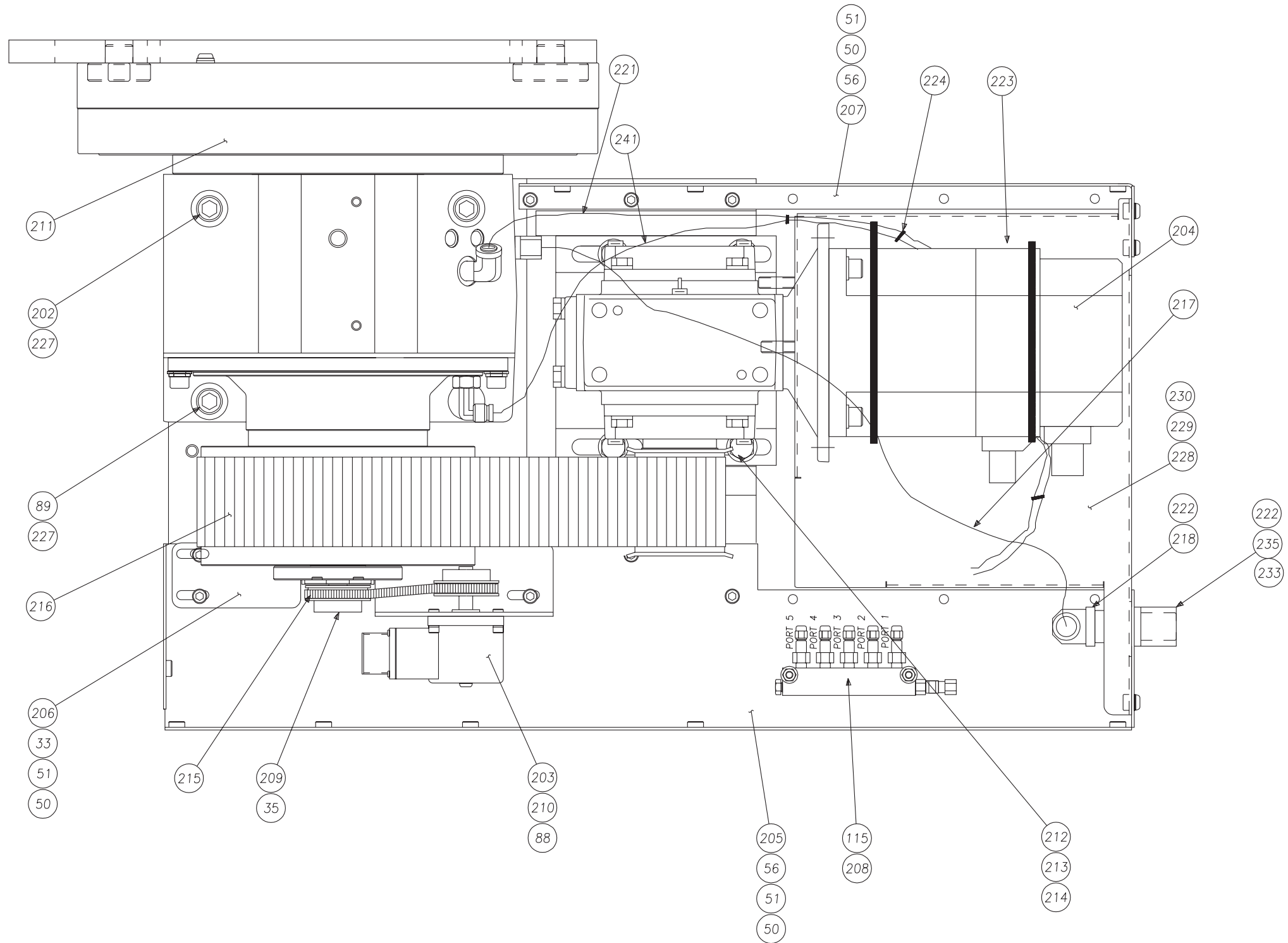


Carriage and Cross Slide Assembly



Carriage and Cross Slide Assembly



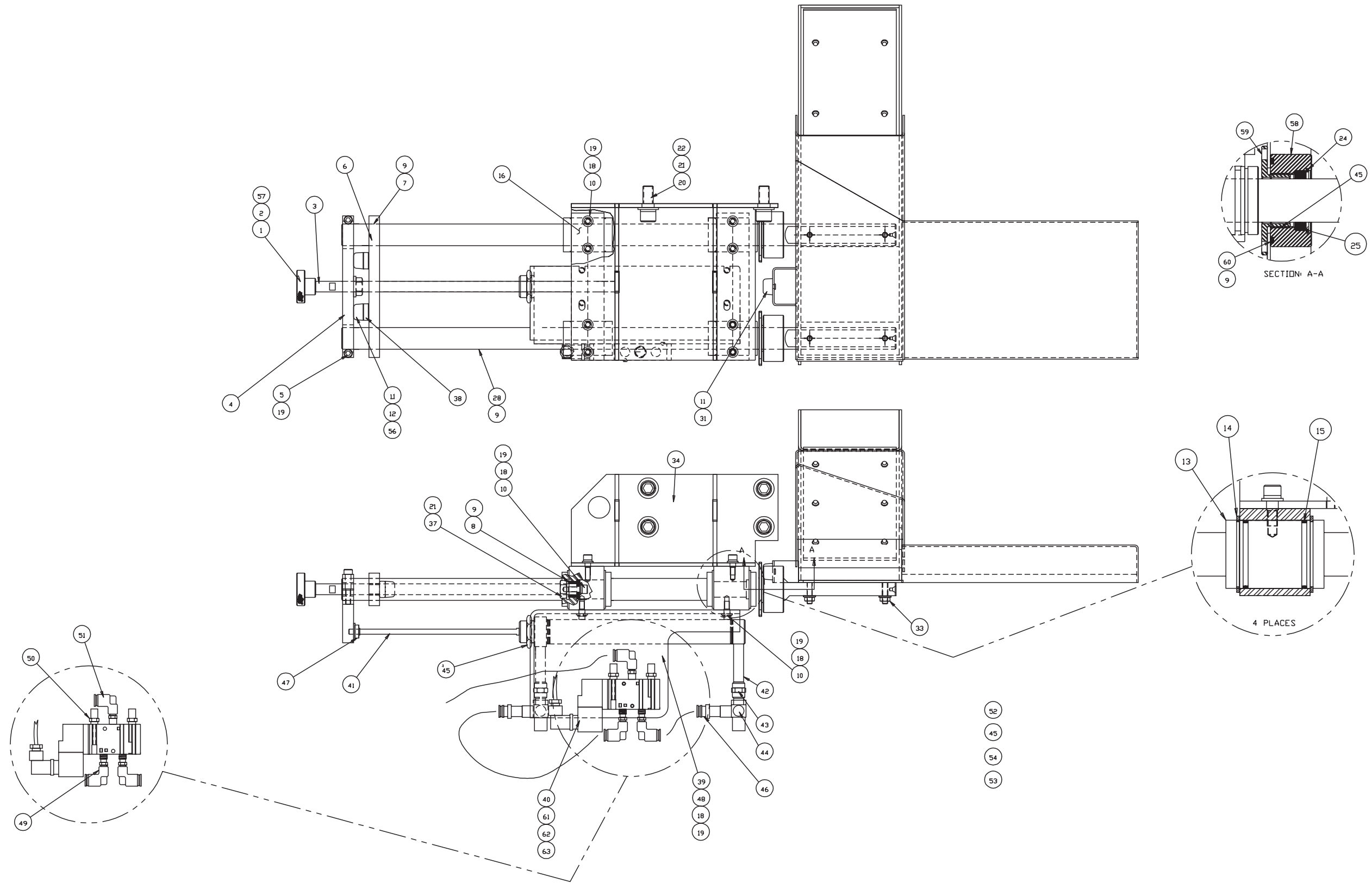


Carriage and Cross Slide Assembly

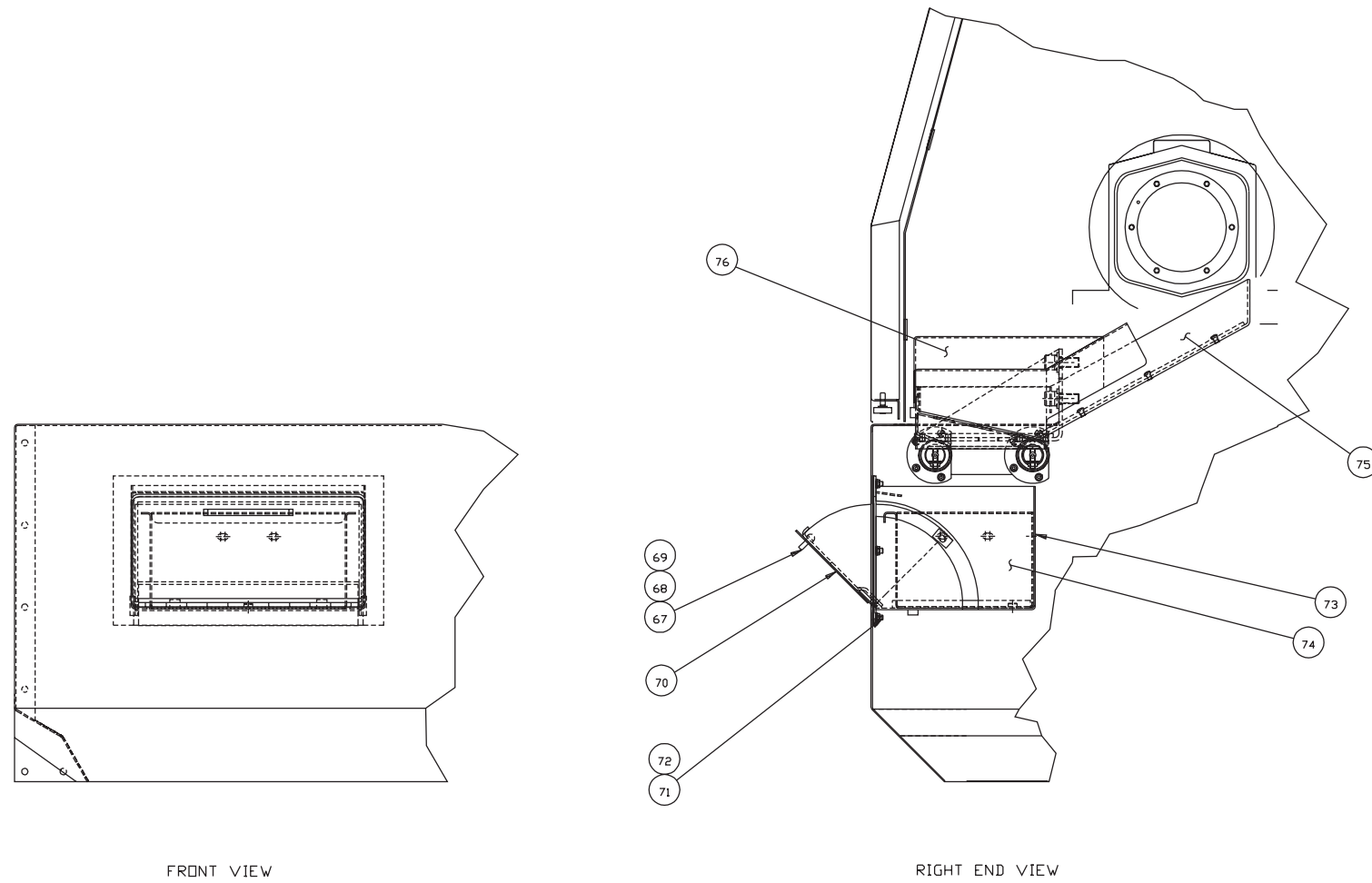
(238) (239) (237) (201)

241	AH-0007007NF	3	TUBING, 1/4 OD
240	CS-000463001	1	DOWEL, PIVOT DOWEL
239	MS-0103526	6	SCREW
238	HLA-0010523	1	OIL, MOBIL VACTRA #2
237	LO-0003231	1	CARR. & CROSS SLIDE PICT.
236	LC-0007007-03	2.08	TUBING, 3/4 OD
235	LC-0007702-14	2	ADAPTER, 3/4 -1/2 NPT
234	CC-0006966	1	CLAMP, HOSE
233	LC-0011259-01	1	ADAPTER, 3/8 - 1/2 NPT
232	LC-0008384	1	ELBOW, 1/2 NPT - 3/4 BARB
231	LCA-0001990-34	1	BRACKET, COOLANT SUPPORT
230	MW-0263610	3	M6 WASHER, STAR
229	MS-0303615	3	M6 SCREW, BHSS x 10mm
228	LC-0001990-29	1	STIFFENER, TURRET
227	HL-0010053	4	WASHER, LOCK
226	MW-0193510	6	M5 WASHER, LOCK
225	CH-0009623-02	1	CLAMP
224	CK-0008104	5	TY-WRAP
223	AH-0009910	2	TY-WRAP
222	SB-0010884-S	.03	SEALANT, HYDRAULIC
221	HG-0007007-02	3	TUBING, 1/4 OD
219	CL-0006709	1	DOWEL, 1/2 x 1
218	SG-0007702-02	1	CONNECTOR, 90 DEG PUSH ON
217	SG-0007007	2.5	TUBING, 1/2 OD
216	LC-0003346-T	1	BELT, TURRET
215	LC-0003346-TE	1	BELT, TURRET ENCODER
214	MW-0104010-H	4	M10 WASHER, FLAT, HARDENE
213	MW-0184010	4	M10 WASHER, LOCK
212	MS-0154020	4	M10 SCREW, HHCS x 30mm
211	LC-0000008	1	TURRET ASSEMBLY
210	MS-0103416	4	M4 SCREW, SHCS x 12mm
209	LC-0003177-TE	2	PULLEY, TURRET ENCODER
208	MN-0283510	2	M5 NUT, FLANGE
207	LC-0001990-08	1	SHIELD SUPPORT, LEFT
206	LC-0001990-03	1	ENCODER BRACKET
205	LCA-0001990-09	1	SHIELD SUPPORT, RIGHT
204	LC-0007500-T	1	TURRET DRIVE ASSEMBLY
203	LC-0011797-01	1	ENCODER
202	MS-0104240	2	M12 SCREW, SHCS x 200mm
ITEM	PART NUMBER	QTY	DESCRIPTION

201	LO-0003178	1	LAYOUT, X AXIS DRIVE
200	MS-0103822	13	M8 SCREW, SHCS x 40mm
128	MS-0103526	6	M5 SCREW, SHCS x 60mm
123	SG-0007702-A12	5	ELBOW, MALE SWIV x 1/8BSP
122	HM-0006160	2	SCREW, GIB
120	MS-0553616	2	M6 SCREW, SSCP x 12mm
119	MS-0303617	7	M6 SCREW, BHSS x 16mm
118	5-0001895	4	WASHER
117	MS-0103617	2	M6 SCREW, SHCS x 16mm
115	LC-0010234-CS	1	DIST ASSY, CROSS SLIDE
114	MS-0103625	2	M6 SCREW, SHCS x 55mm
113	5P-0006431-B	7	WASHER
112	LC-0012128	1	COUPLING, X-AXIS BRAKE
111	MN-0154610	1	M16 NUT, HEX THIN (JAM)
108	LC-0006481	2	GIB, LINEAR GUIDE TAKE UP
106	LCA0007633 A	1	GIB
105	LC-0008050	1	WIPER, BEDPLATE
104	LCA0008042	1	BEDPLATE, X AXIS
100	MW-0183610	11	M6 WASHER, LOCK
99	SGA-0011682	1	BUSHING
98	LCB-0011682	1	BUSHING
97	LC-0003177-60	1	SPROCKET, 60 TOOTH
96	LC-0003177-48	1	SPROCKET, 48 TOOTH
95	LC-0003346-X	1	BELT, X AXIS
90	S-0010700-07	7	LEE PLUG
89	MS-0104223	2	M12 SCREW, SHCS x 45mm
88	MW-0193410	4	M4 WASHER, LOCK
81	MS-0103618	6	M6 SCREW, SHCS x 20mm
68	MS-0103820	4	M8 SCREW, SHCS x 30mm
65	NC-0010884	3.01	LOCTITE ADHESIVE
63	MW-0263510	1	M5 WASHER, STAR
58	MS-0303515	1	M5 SCREW, BHSS x 10mm
57	CS-0009431-04	1	"O" RING
56	MS-0103616	5	M6 SCREW, SHCS x 12mm
54	MW-0193810	33	M8 WASHER, LOCK
51	MW-0193610	24	M6 WASHER, LOCK
50	MW-0103610	12	M6 WASHER, FLAT
48	LCA-0001902-K1	1	BALL SCREW, X AXIS
42	CS-0011198-03	1	CR #12710 SEAL
41	CSA-0004140	2	BEARING, BALL
39	MS-0553512	1	M5 SCREW, SSCS x 5mm
37	C-0010994-AN	.01	GREASE ANDOX C
35	NC-0010884-01	.02	LOCTITE ADHESIVE
33	MS-0103617	9	M6 SCREW, SHCS x 16mm
31	LC-0001991	1	PLATE, X AXIS MOTOR
30	LC-0011083	1	PIN, TRAM ADJUSTMENT
29	LC-0011137	1	BEARING, RETAINER
26	LC-0007934	1	SCREW, SOLID STOP
25	LC-0001990-15	1	BRACKET, BRAKE
24	LC-0010462-BS	1	BRAKE, SUPPORT
23	LC-0011932-01	1	SUPPORT, X AXIS BALL SCRE
7	CS-0011198-14	1	SEAL, LABYRINTH
5	MS-0103819	16	M8 SCREW, SHCS x 25mm
4	CS-0000260-05	1	LOCKNUT
3	CH-0004732	1	PLUG, BRASS
2	LC-0007202-A	1	CROSS SLIDE
1	LCA0000371	1	CARRIAGE
ITEM	PART NUMBER	QTY	DESCRIPTION



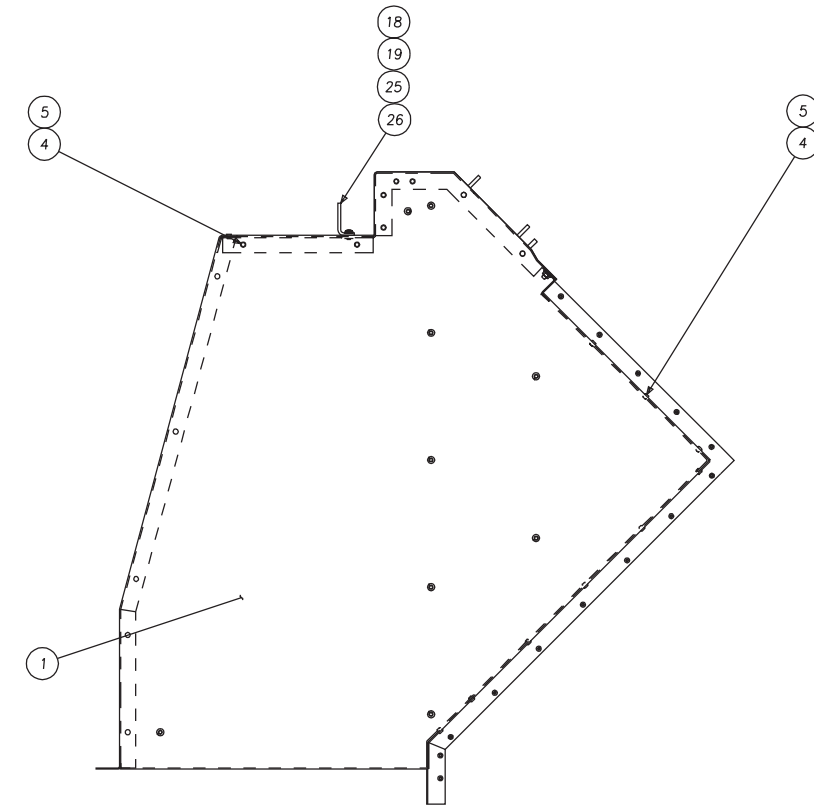
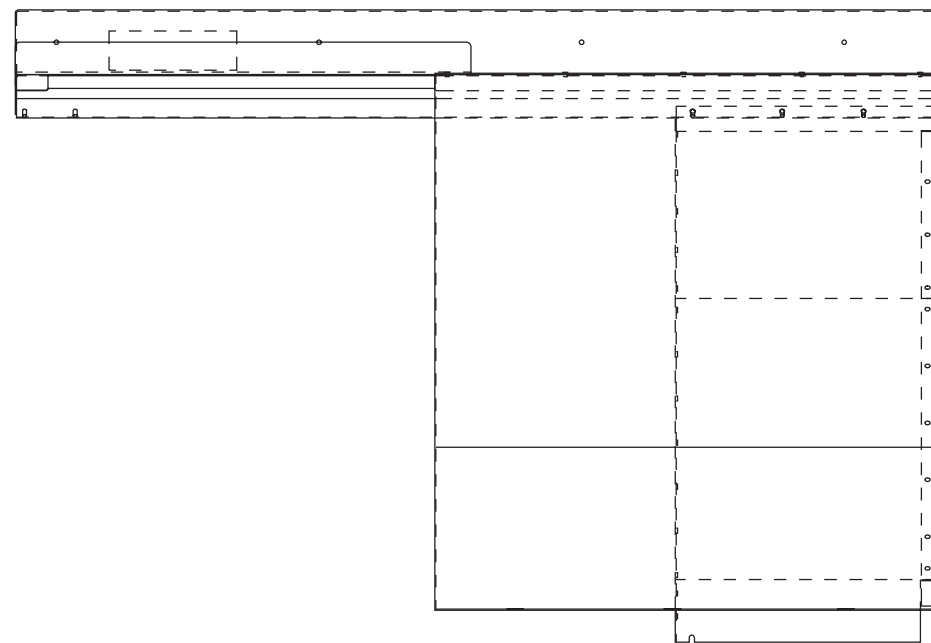
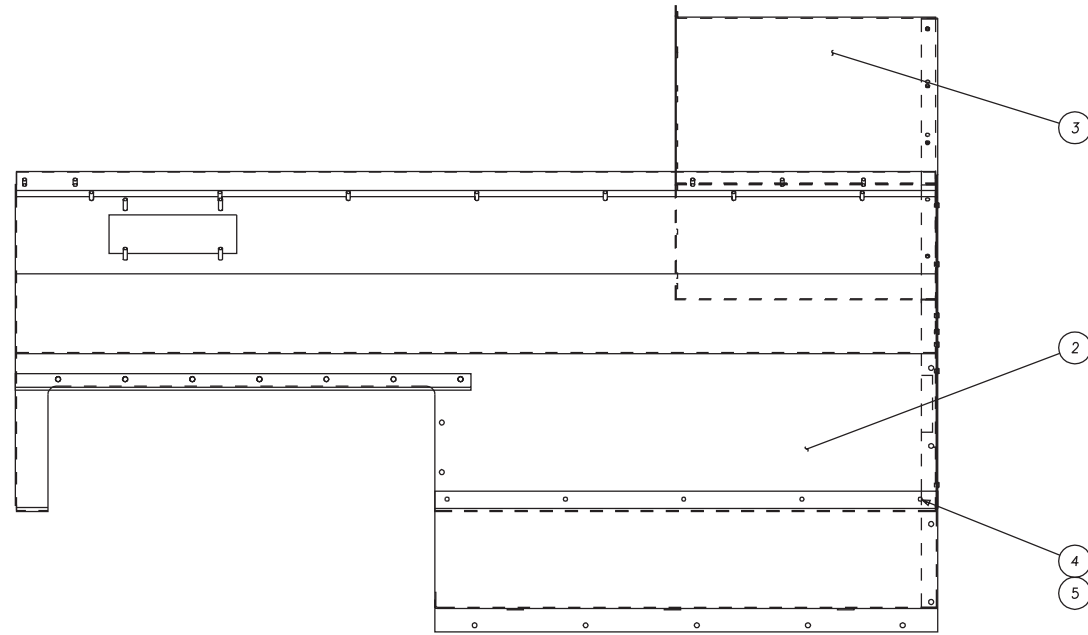
Part Catcher



ITEM	PART NUMBER	QUANTITY	DESCRIPTION
1	LC 0002916KR A	1.000	KNDB, ROD ADJUSTING
2	ST 0010884	0.020	ADHESIVE #262 LOCTITE (50CC)
3	LCA0002916AR	1.000	ROD, ADJUSTING
4	LCA0002916EP	1.000	END PLATE
5	MS 0103621	2.000	SCREW, SDC.HD.CAP M6X1.0X35M
6	LCA0002916SP	1.000	STOP PLATE

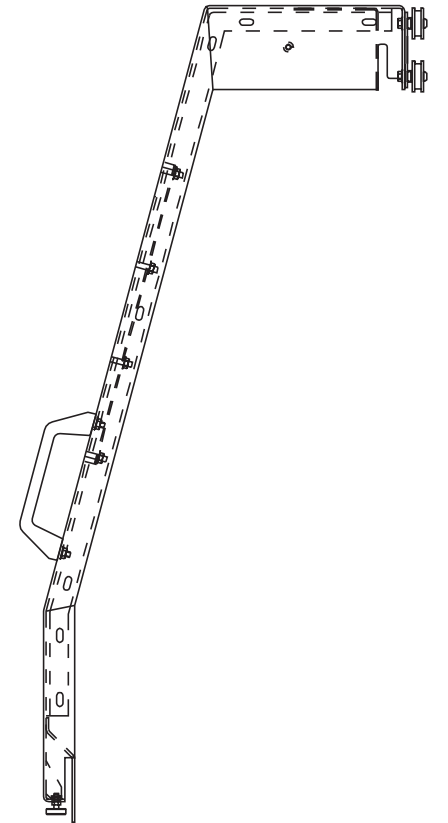
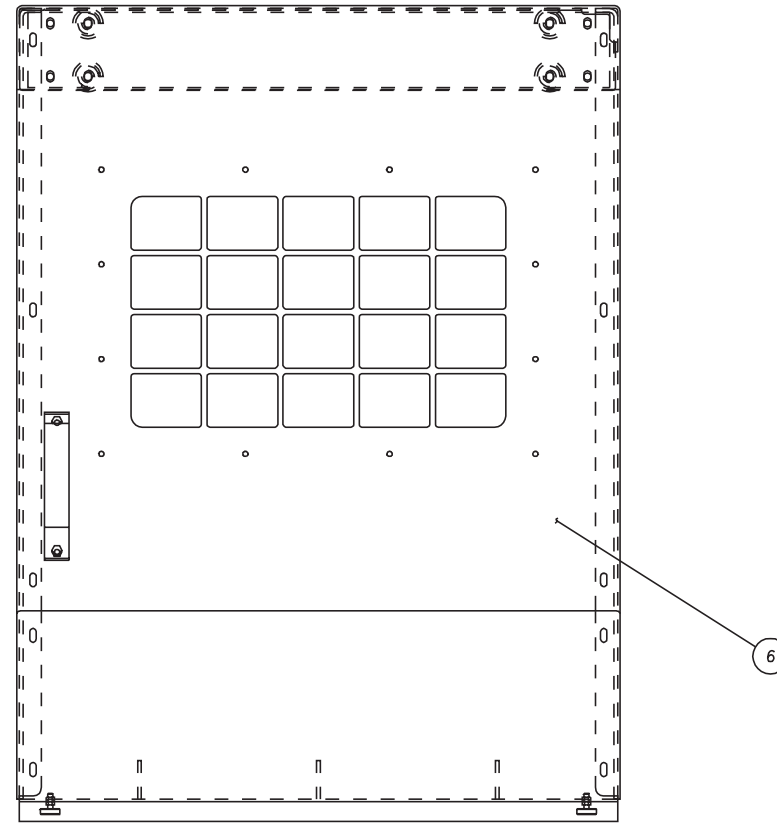
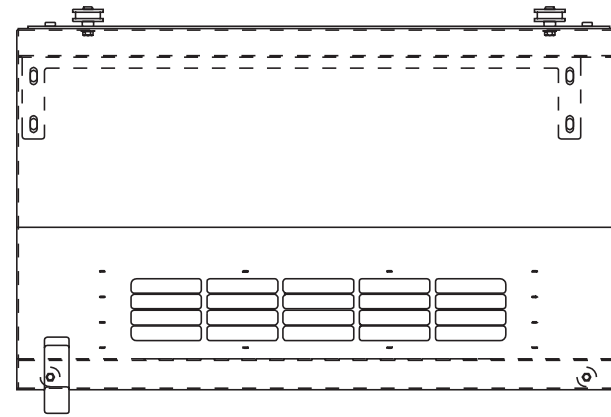
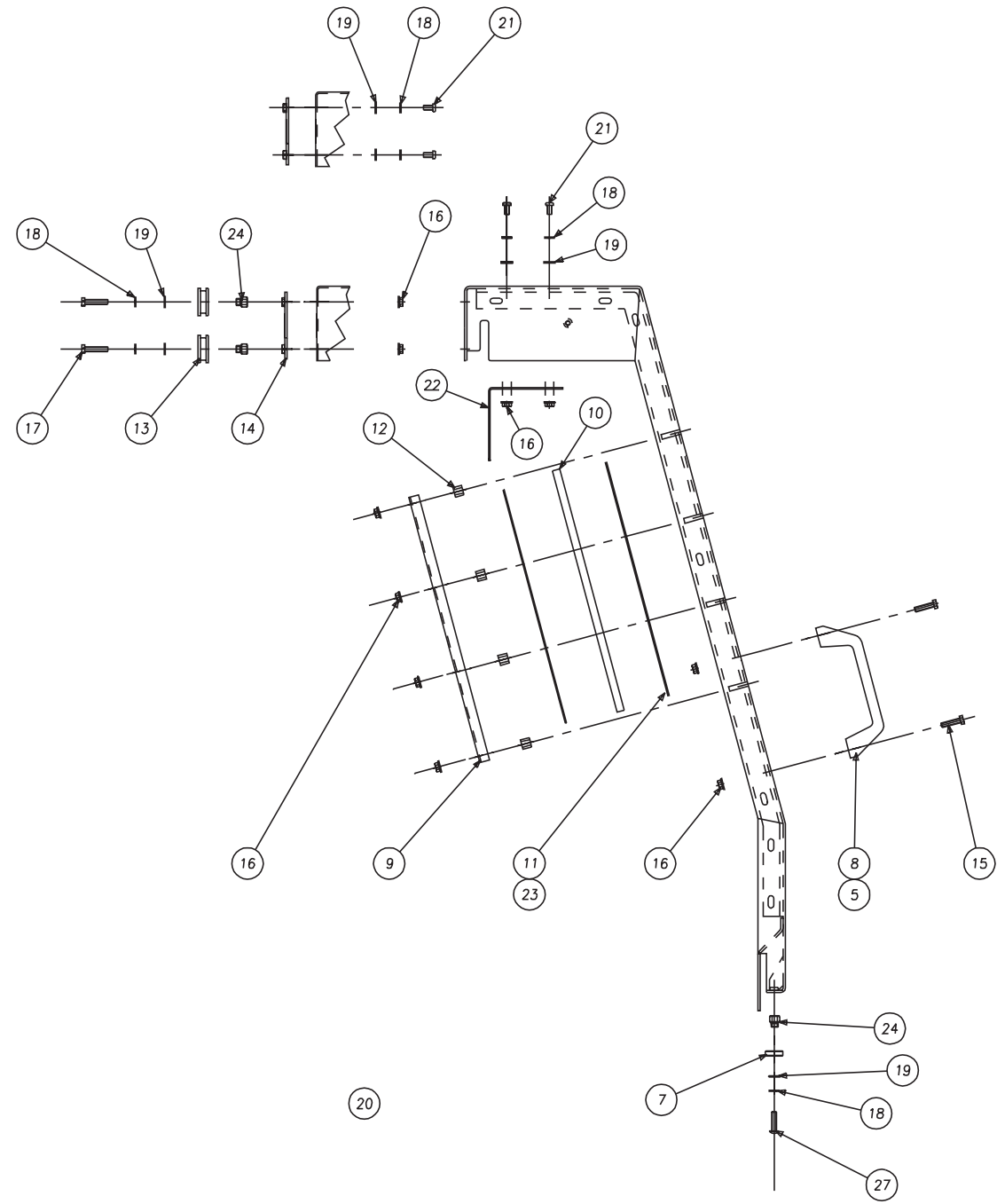
7	LCA0002916BSH1	2.000	BUSHING
8	LC 0002916BS H	1.000	BUSHING
9	CS 0010994	0.030	GREASE
10	MS 0103617	13.000	SCREW, SDC.HD.CAP M6X1.0X16M
11	HG 0010541	3.000	BUMPER
12	MS 0103317	3.000	SCREW, SHC M3X.5 X 16MM LONG
13	LC 000414004	4.000	BEARING, LINEAR
14	1560006231	8.000	RETAINING, RING
15	DR 0002225	8.000	O RING 1.362 ID .103C/S 70
16	LCA0002916PC B	2.000	BASE, PARTS CATCHER
18	MW 0103610	17.000	WASHER, FLAT M6 STEEL
19	MW 0183610	4.000	M6 REG. LOCKWASHER
19	MW 0193610	15.000	WASHER, LOCK DIN-7980 M6X1.0
20	MS 0104219	4.000	SCREW,SDC.HD.CAP M12X1.75X25
21	MW 0104210	5.000	WASHER, FLAT M12 X 1.75 STEE
22	MW 0184210	4.000	WASHER,LOCK M12X1.75 STEEL
24	CS 00119809	2.000	SEAL
25	137000623101	2.000	RETAINING, RING
28	LCA0002916SR	2.000	ROD, SUPPRT
31	MS 0103314	1.000	SCREW
33	MN 0283610	4.000	NUT, M6X1.0, SER HEX FLNG
34	LC 0002916BP C	1.000	BRACKET, PARTS CATCHER
37	MD 0003182	1.000	NUT, 1/2-13 HEX JAM
38	LC 0002916BS	2.000	SPACER, BUMPER
39	LC 000199063	1.000	BRACKET, CYLINDER
40	LC 000304801	1.000	VALVE, DIRECTIONAL-5 WAY-2 P
41	LC 000291703	1.000	CYLINDER,PARTS CATCHER
42	NT 0003504 A	2.000	NIPPLE, PIPE
43	CT 001109601	2.000	COUPLING
44	CS 001145201	2.000	FLDW-CONTROL
45	NC 0010884	1.200	LOCTITE ADHESIVE
46	FR 000770204	2.000	CONNECTOR ,STRAIGHT MALE
47	TL 0000414 B	1.000	NUT, 5/16 HEX
48	MS 0103616	4.000	SCREW,SDC.HD.CAP M6X1.0X12MM
49	VL 000770303	2.000	ELBOW, SWIVEL - 1/4-1/4 TUBE
50	CT 0011335	2.000	MUFFLER
51	CL 000770202	1.000	ELBOW, 90 DEG MALE (PARKER)
52	LT 0010884 S	1.000	SEALANT, PIPE
53	HG 0007007	10.000	TUBING - 5/16 O.D.
54	AH 0007007NF	2.000	TUBING, 1/4 O.D.
56	NC 001088401	0.010	ADHESIVE LOCTITE #222
57	CN 0010884	0.010	ADHESIVE
58	LC 00119804	2.000	SEAL, MOUNT
59	LC 0010824	2.000	MOUNT, HOUSING
60	DR 0002730	2.000	O RINGS
61	MS 0103420	2.000	SCREW, SHCS M4X.7X30MM
62	MW 0103410	2.000	WASHER, FLAT M4 X .7 STEEL
63	MW 0183410	2.000	WASHER, LOCK M4 STEEL
67	MW 0183410	2.000	WASHER, LOCK M4 STEEL
68	0300206	2.000	SCREW BT HD 8-32 X 3/8
69	CS 001064207	1.000	HANDLE, CABINET PULL
70	LCA000291602	1.000	DOOR, PART CATCHER
71	MW 0183610	10.000	M6 REG. LOCKWASHER
72	MN 0113610	10.000	NUT, HEX
73	LC 0002916PC	1.000	ASSY, PARTS CATCHER BDX
74	LC 000291601	1.000	BASKET, PARTS
75	LCA0002916UC	1.000	ASSEMBLY, PARTS CATCHER UPPE
76	CS 001011628	1.000	GASKET, FRONT SKIRT

CANOPY ASSEMBLY



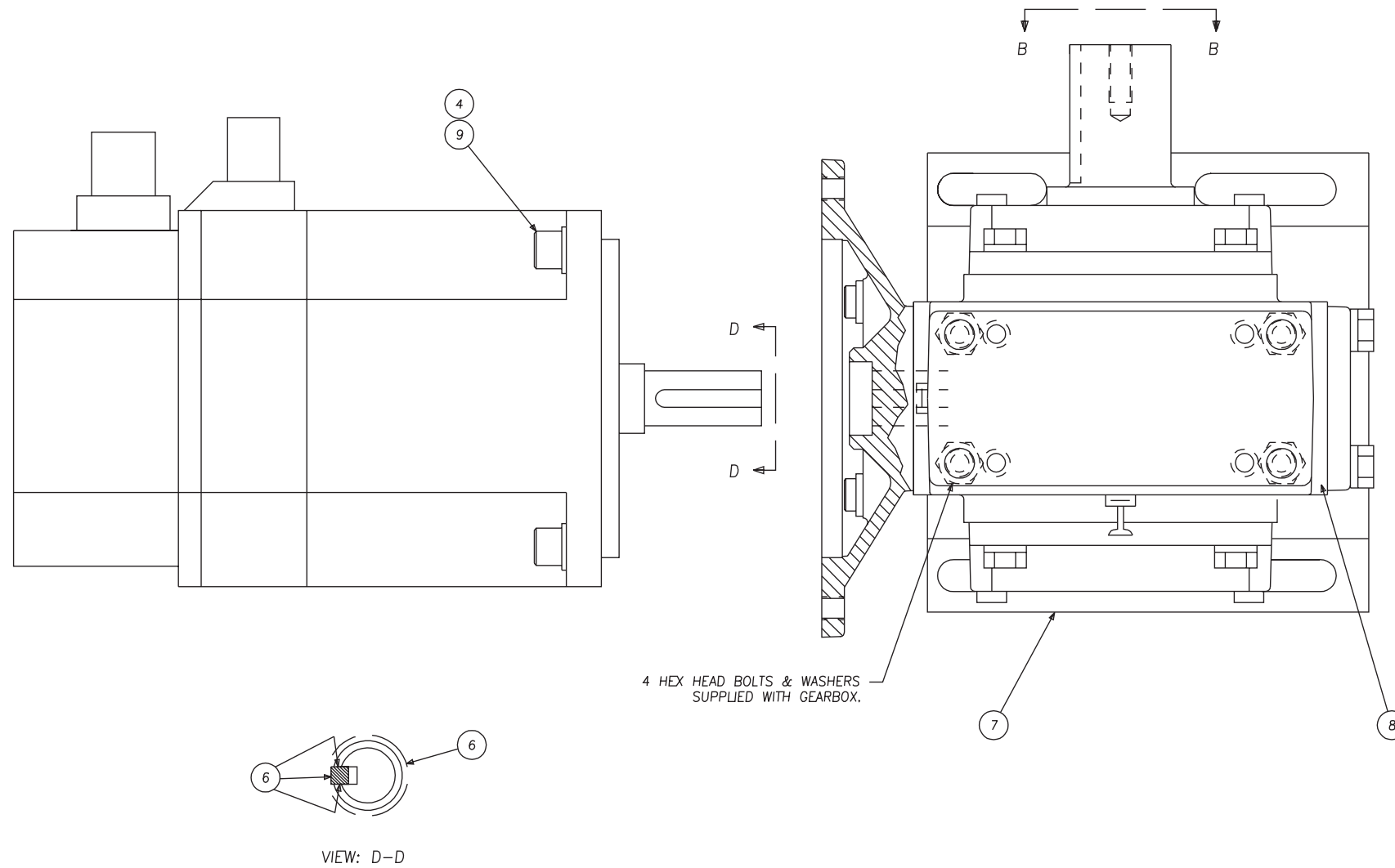
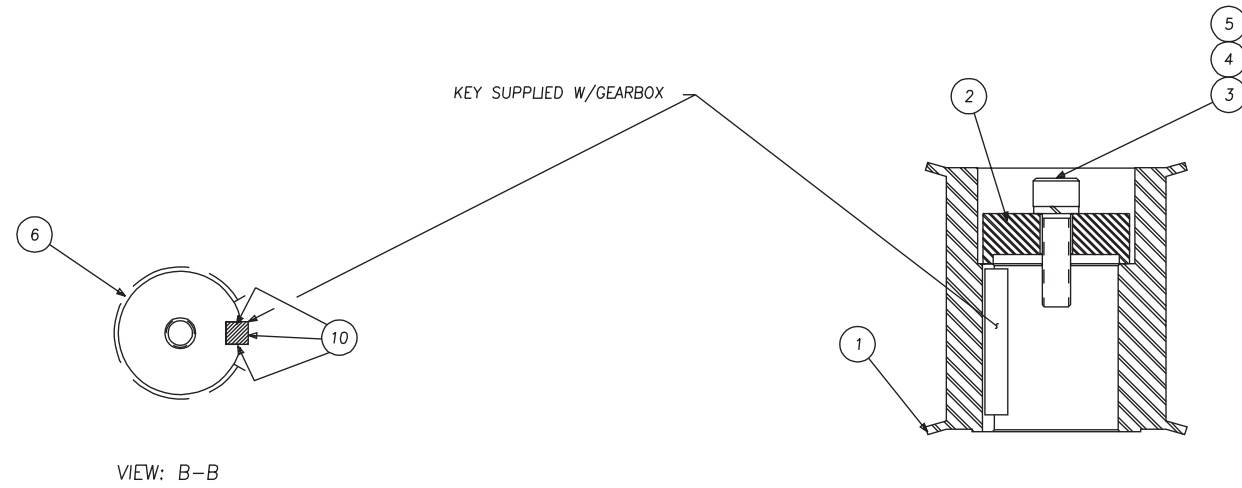
Coolant Guard Assembly

FRONT DOOR ASSEMBLY



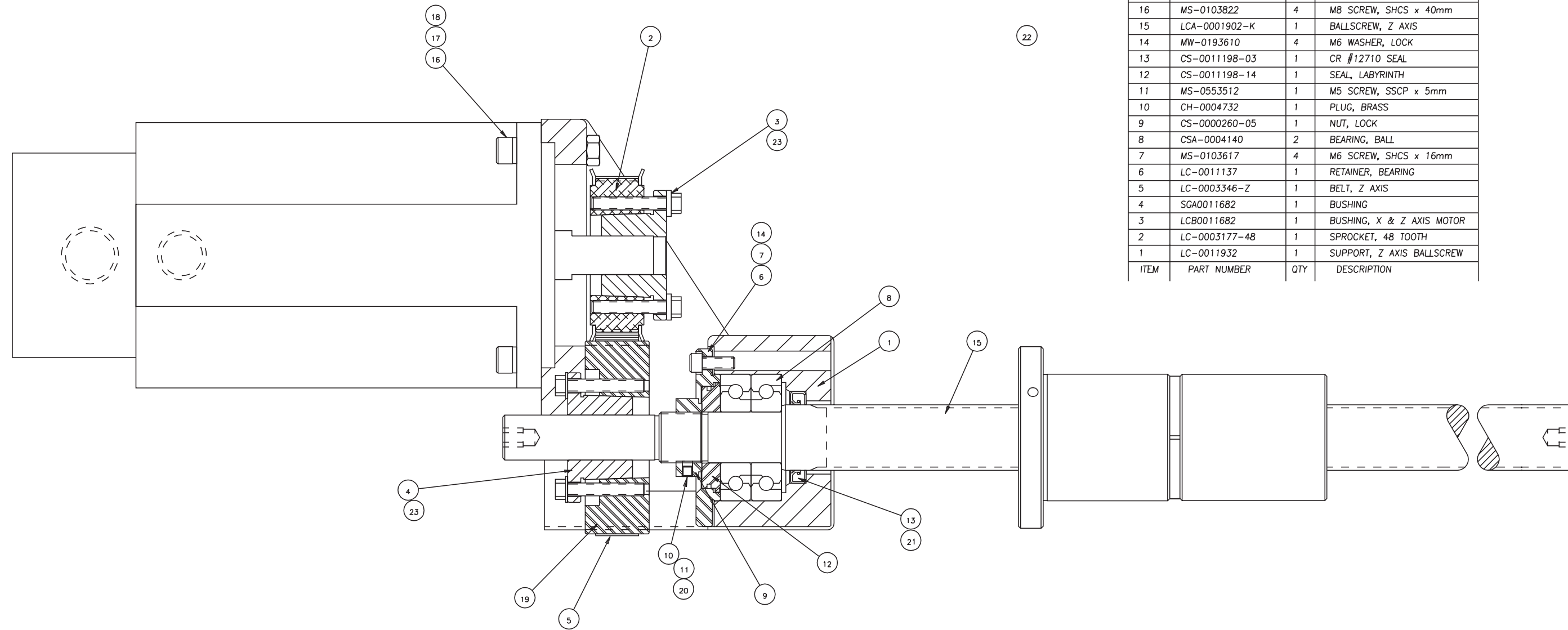
27	MS 0303620	2	SCREW, BT HD M6X1.0X30MM
26	LC 000199049	1	GUIDE, DOOR (SAFETY)
25	MS 0303616	7	SCREW, BT HD M6 X 12MM
24	LC 0010568	6	BUSHING, DOOR ROLLER
23	DV 0010884	.2	ADHESIVE, GASKET
22	LC 0001990DC	1	GUARD, DOOR CHIP
21	MS 0303616	6	M6 SCREW, BUTT HD x 12mm
20	NC 0010884	.1	ADHESIVE, LOCTITE #242
19	MW 0103610	19	M6 WASHER, FLAT
18	MW 0183610	19	M6 WASHER, LOCK
17	MS 0153620	4	M6 SCREW, HEX HD x 30mm
16	MN 0283610	20	M6 NUT, FLANGE
15	MS 0153617	2	M6 SCREW, HEX HD x 16mm
14	LC 000199011	1	PLATE, ROLLER MOUNT
13	LC 0011404	4	DOOR ROLLER ASSEMBLY
12	CS 001118206	12	BUSHING, WINDOW
11	LC 001011604	2	GASKET, WINDOW
10	HGA001044905	1	WINDOW, DOOR
9	LC 000199018	1	FRAME, WINDOW-FRONT
8	LC 0010642	1	HANDLE, DOOR
7	AH 0011281	2	BEARING
6	LCA0000221FD	1	DOOR, FRONT
5	GE 0010884	.32	ADHESIVE, SILICONE
4	LC 0008419	20	RIVET, POP CLOSED-END
3	LCA0006418	1	LABYRINTH, RIGHT REAR
2	LC 0000221TC	1	TOP, FRONT CANOPY
1	LC 0000221CA	1	CANOPY, MAIN
ITEM	PART NUMBER	QTY	DESCRIPTION

Turret Drive Assembly



10	SL-0010884	.1	LOCTITE 635
9	MS-0103819	4	M8 SCREW, SHCS x 25mm
8	LC-0006199	1	GEARBOX, MODEL 920
7	LC-0003990-01	1	BRACKET, WORM DRIVE
6	VS-0010440	0.01	ANTI-SIEZE
5	NC-0010884	0.01	LOCTITE 242
4	MW-0193810	5	M8 WASHER, SQ LOCK
3	MS-0103820	1	M8 SCREW, SHCS x 30mm
2	LC-0004893	1	WASHER, PULLEY
1	LC-0003177-25	1	PULLEY, 25 TOOTH
ITEM	PART NUMBER	QTY	DESCRIPTION

Z Axis Drive Assembly

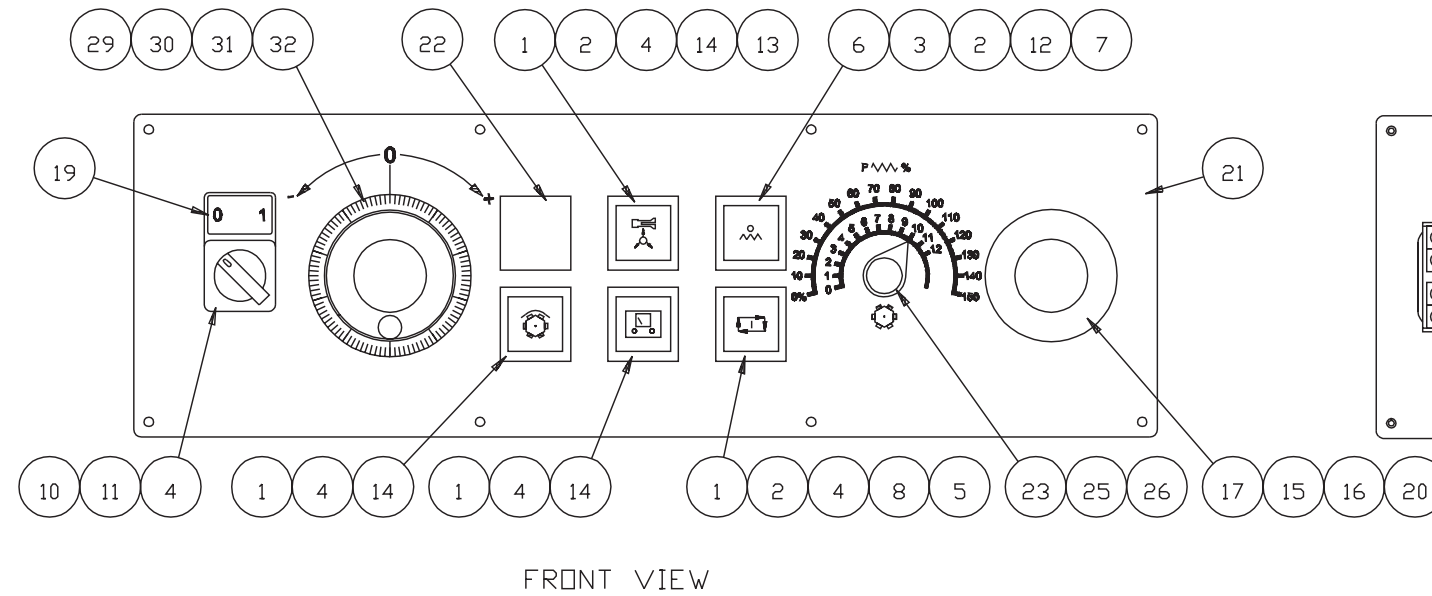


23	CM-0002845	4	LOCKWASHER
22	LO-0003174	1	LAYOUT, Z AXIS DRIVE ASSY
21	C-0010994-AN	1	GREASE, ANDOX C
20	NC-0010884-01	1	LOCTITE #222
19	LC-0003177-60	1	SPROCKET, 60 TOOTH
18	MN-0283810	4	M8 NUT, HEX
17	MW-0193810	4	M8 WASHER, LOCK
16	MS-0103822	4	M8 SCREW, SHCS x 40mm
15	LCA-0001902-K	1	BALLSCREW, Z AXIS
14	MW-0193610	4	M6 WASHER, LOCK
13	CS-0011198-03	1	CR #12710 SEAL
12	CS-0011198-14	1	SEAL, LABYRINTH
11	MS-0553512	1	M5 SCREW, SSCP x 5mm
10	CH-0004732	1	PLUG, BRASS
9	CS-0000260-05	1	NUT, LOCK
8	CSA-0004140	2	BEARING, BALL
7	MS-0103617	4	M6 SCREW, SHCS x 16mm
6	LC-0011137	1	RETAINER, BEARING
5	LC-0003346-Z	1	BELT, Z AXIS
4	SGA0011682	1	BUSHING
3	LCB0011682	1	BUSHING, X & Z AXIS MOTOR
2	LC-0003177-48	1	SPROCKET, 48 TOOTH
1	LC-0011932	1	SUPPORT, Z AXIS BALLSCREW
ITEM	PART NUMBER	QTY	DESCRIPTION

Operator Control Panel, CE Mark

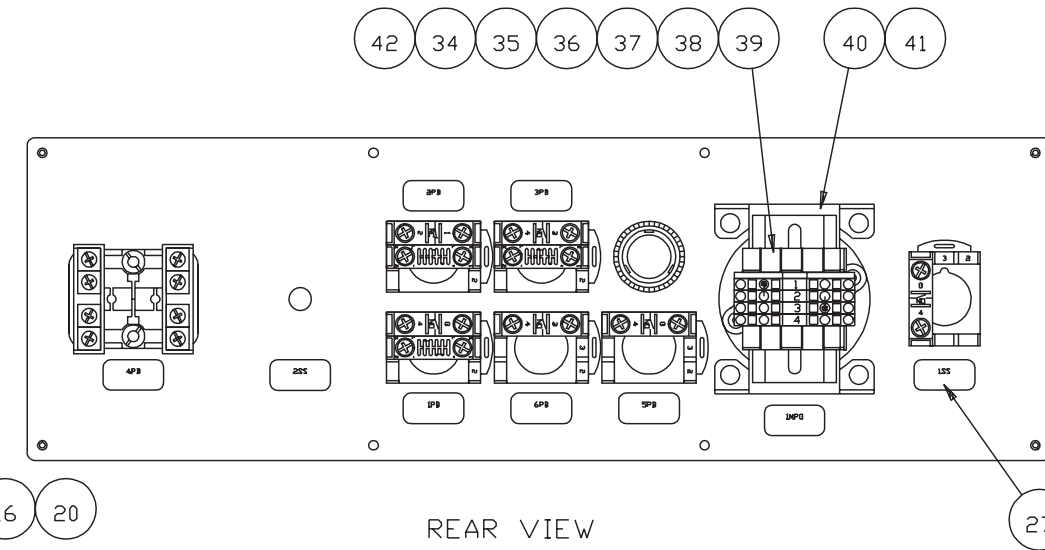
ITEM	PART NUMBER	QUANTITY	DESCRIPTION
1	LC 0003650GE25	4.000	SWITCH, OPERATOR, SQUARE, FL
2	LC 0003650GE05	3.000	SWITCH, LIGHT UNIT
3	LC 0003650GE02	1.000	SWITCH, CONTACT BLOCK, INC
4	LC 0003650GE01	5.000	SWITCH, CONTACT BLOCK, IND
5	LC 0003650GE04	1.000	SWITCH, LED, 24VDC, GREEN
6	LC 0003650GE24	1.000	SWITCH, OPERATOR, SQUARE, EX
7	LC 0003650GE21	1.000	SWITCH, LENS, SQUARE, RED
8	LC 0003650GE20	1.000	SWITCH, LENS, SQUARE, GREEN
10	LC 0003650GE18	1.000	SWITCH, 2 POSITION, SQUARE
11	LC 0003650GE31	1.000	SWITCH, NAME PLATE, ON-OFF
12	LC 0003650GE06	1.000	SWITCH, LED, 24VDC, RED
13	LC 0003650GE14	1.000	SWITCH, LAMP, 24V
14	LC 0003650GE19	3.000	SWITCH, LENS, SQUARE, CLEAR
15	SG 000365012	1.000	SWITCH, E-STOP 3 POS
16	SG 0010019	2.000	BLOCK, CONTACT
17	CN 0010116 B	1.000	GASKET, E STOP SWITCH
18	RF 0011971	1.000	BAG - MAIL
19	LCC0010366TK	1.000	KIT, TAG E-STOP PANEL
20	LC 0003650GE27	1.000	SWITCH, TAG, E STOP
21	LC 0001904CE	1.000	LC-CE E-STOP PANEL
22	LC 0003650GE15	1.000	SWITCH, PLUG, SQUARE, SMALL

ITEM	PART NUMBER	QUANTITY	DESCRIPTION
23	CS 0006578	1.000	KNOB
24	LC 0003011ESP	1.000	CABLE PACKAGE-ESTOP PANEL
25	CN 001011697	1.000	GASKET, ROTARY SWITCH
26	CS 000283402	1.000	SWITCH, BCD ENCODER ROTARY
27	F3 000997701	10.000	LABEL, ID
28	LC 0012024CEDB	1.000	DATABASE, DOMESTIC/CE
29	FC 001179602	1.000	GENERATOR, MANUAL PULSE
30	CN 0010116PG	1.000	GASKET, MPG
31	CNA001150501	1.000	RETAINER, MPG
32	MS 0453441	3.000	SCREW, FL.HD.SLDT M4X.7X14MM
34	HG 001103204	2.000	END STOP
35	HG 001103201	4.000	TERMINAL BLOCK,BLUE
36	CK 9011032	0.070	RAIL, DIN BLANK
37	HG 001103203	1.000	END PLATE
38	LC 0011942PR	2.000	RIVET, PDP OPEN END
39	HG 0009175	0.100	MARKER, STRIP 1-10
40	LC 0001990DRS	1.000	SUPPORT, MPG DIN RAIL
41	MN 0283610	4.000	NUT, M6X1.0, SER HEX FLNG
42	GN 001047201	2.000	RESISTOR
43	LC 0003279WP01	1.000	WIRE PACKAGE, MPG



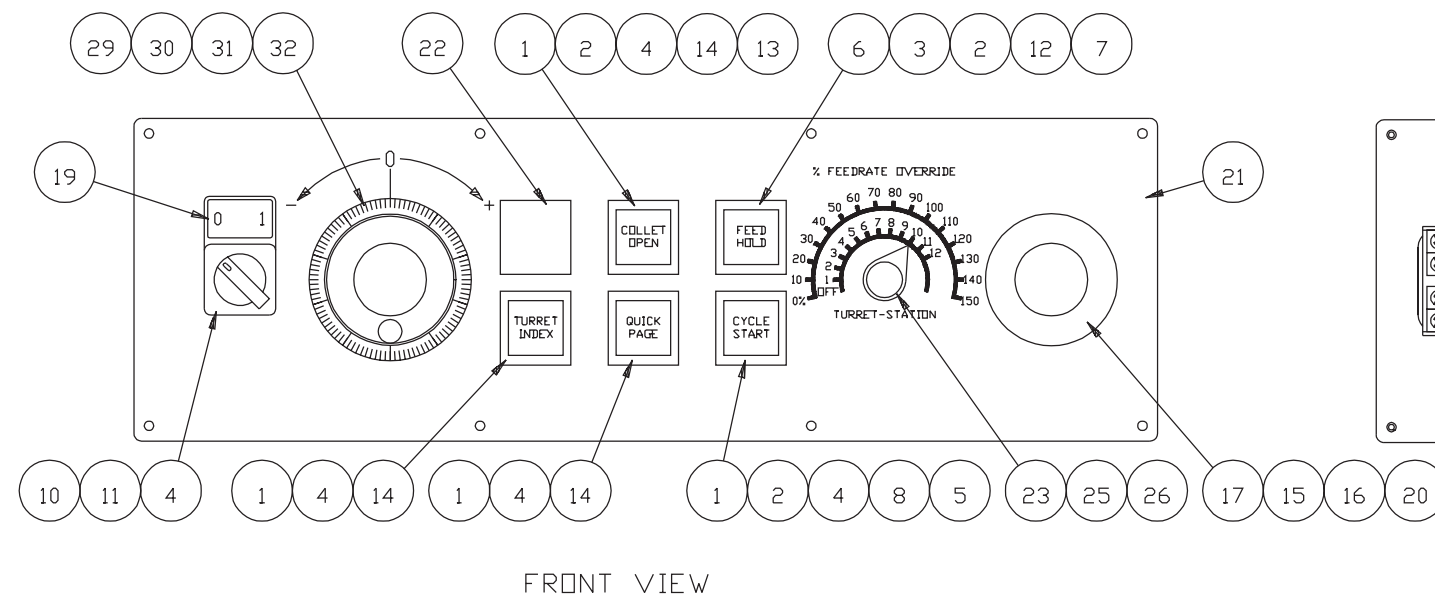
NOT SHOWN

28 24 18 43



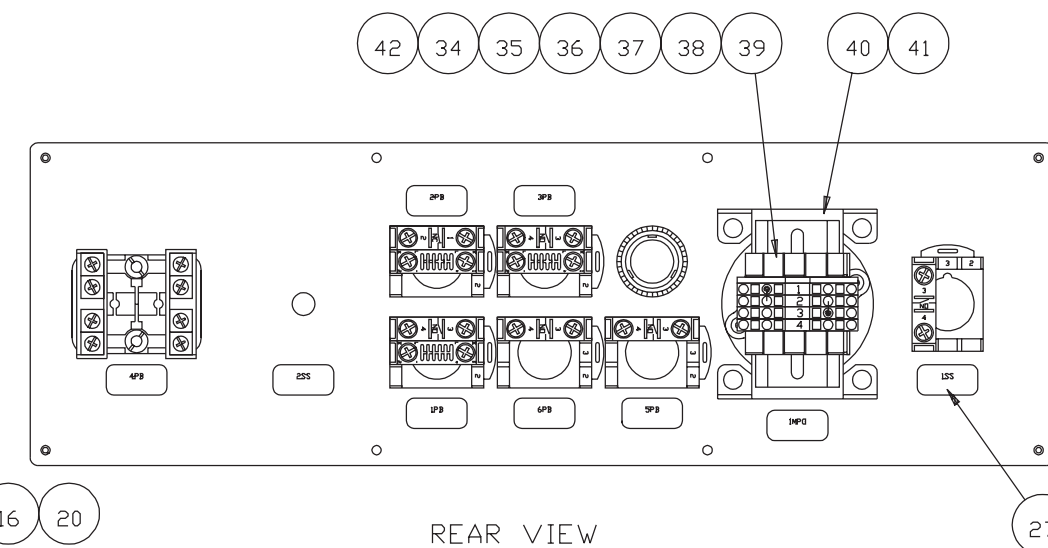
ITEM	PART NUMBER	QUANTITY	DESCRIPTION
1	LC 0003650GE25	4.000	SWITCH, OPERATOR, SQUARE, FL
2	LC 0003650GE05	3.000	SWITCH, LIGHT UNIT
3	LC 0003650GE02	1.000	SWITCH, CONTACT BLOCK, INC
4	LC 0003650GE01	5.000	SWITCH, CONTACT BLOCK, IND
5	LC 0003650GE04	1.000	SWITCH, LED, 24VDC, GREEN
6	LC 0003650GE24	1.000	SWITCH, OPERATOR, SQUARE, EX
7	LC 0003650GE21	1.000	SWITCH, LENS, SQUARE, RED
8	LC 0003650GE20	1.000	SWITCH, LENS, SQUARE, GREEN
10	LC 0003650GE18	1.000	SWITCH, 2 POSITION, SQUARE
11	LC 0003650GE31	1.000	SWITCH, NAME PLATE, ON-OFF
12	LC 0003650GE06	1.000	SWITCH, LED, 24VDC, RED
13	LC 0003650GE14	1.000	SWITCH, LAMP, 24V
14	LC 0003650GE19	3.000	SWITCH, LENS, SQUARE, CLEAR
15	SG 000365012	1.000	SWITCH, E-STOP 3 PDS
16	SG 0010019	2.000	BLOCK, CONTACT
17	CN 0010116 B	1.000	GASKET, E STOP SWITCH
18	RF 0011971	1.000	BAG - MAIL
19	LCC0010366TK	1.000	KIT, TAG E-STOP PANEL
20	LC 0003650GE27	1.000	SWITCH, TAG, E STOP
21	LCB0001904EP	1.000	PANEL, E-STOP
22	LC 0003650GE15	1.000	SWITCH, PLUG, SQUARE, SMALL

ITEM	PART NUMBER	QUANTITY	DESCRIPTION
23	CS 0006578	1.000	KNOB
24	LC 0003011ESP	1.000	CABLE PACKAGE-ESTOP PANEL
25	CN 001011697	1.000	GASKET, ROTARY SWITCH
26	CS 000283402	1.000	SWITCH, BCD ENCODER ROTARY
27	F3 000997701	10.000	LABEL, ID
28	LC 0012024CEDB	1.000	DATABASE, DOMESTIC/CE
29	FC 001179602	1.000	GENERATOR, MANUAL PULSE
30	CN 0010116PG	1.000	GASKET, MPG
31	CNA001150501	1.000	RETAINER, MPG
32	MS 0453441	3.000	SCREW, FL.HD.SLDT M4X.7X14MM
34	HG 001103204	2.000	END STOP
35	HG 001103201	4.000	TERMINAL BLOCK,BLUE
36	CK 9011032	0.070	RAIL, DIN BLANK
37	HG 001103203	1.000	END PLATE
38	LC 0011942PR	2.000	RIVET, PDP OPEN END
39	HG 0009175	0.100	MARKER, STRIP 1-10
40	LC 0001990DRS	1.000	SUPPORT, MPG DIN RAIL
41	MN 0283610	4.000	NUT, M6X10, SER HEX FLNG
42	GN 001047201	2.000	RESISTOR
43	LC 0003279WP01	1.000	WIRE PACKAGE, MPG



FRONT VIEW

NOT SHOWN



REAR VIEW

- NOTES -